

[54] ADVERTISING DISPLAY APPARATUS

[76] Inventor: Stanley Morris, 13 Woodside Rd., Springfield, N.J. 07081

[\*\*] Term: 14 Years

[21] Appl. No.: 403,576

[22] Filed: Jul. 30, 1982

[52] U.S. Cl. .... D20/19; D20/21; D7/52

[58] Field of Search ..... 211/49, 74; D7/52-58; D20/10, 19, 21; D19/75; 40/1, 10 R, 10 D, 16, 19, 584, 611

[56] References Cited

U.S. PATENT DOCUMENTS

D. 156,670	12/1949	Runnels	.....	D7/55
D. 157,446	2/1950	Smith et al.	.....	D7/52
165,147	7/1875	Baldwin	.....	40/10 D
D. 170,650	10/1953	McHine	.....	D7/52

D. 195,270	5/1963	Gant	.....	D7/52
2,000,419	5/1935	Sarber	.....	40/10 D
3,364,600	1/1968	Patterson	.....	40/611 X

OTHER PUBLICATIONS

Visual Merchandising-Jul. 1981-p. 55- "The Rotator" Plastic Holder.

Primary Examiner—Catherine E. Kemper  
Attorney, Agent, or Firm—McCoy & Morris

[57] CLAIM

The ornamental design for an advertising display apparatus, as shown.

DESCRIPTION

FIG. 1 is a perspective view of an advertising display apparatus, showing my new design;  
FIG. 2 is a front elevational view thereof;  
FIG. 3 is a top plan view thereof;  
FIG. 4 is an end elevational view thereof.

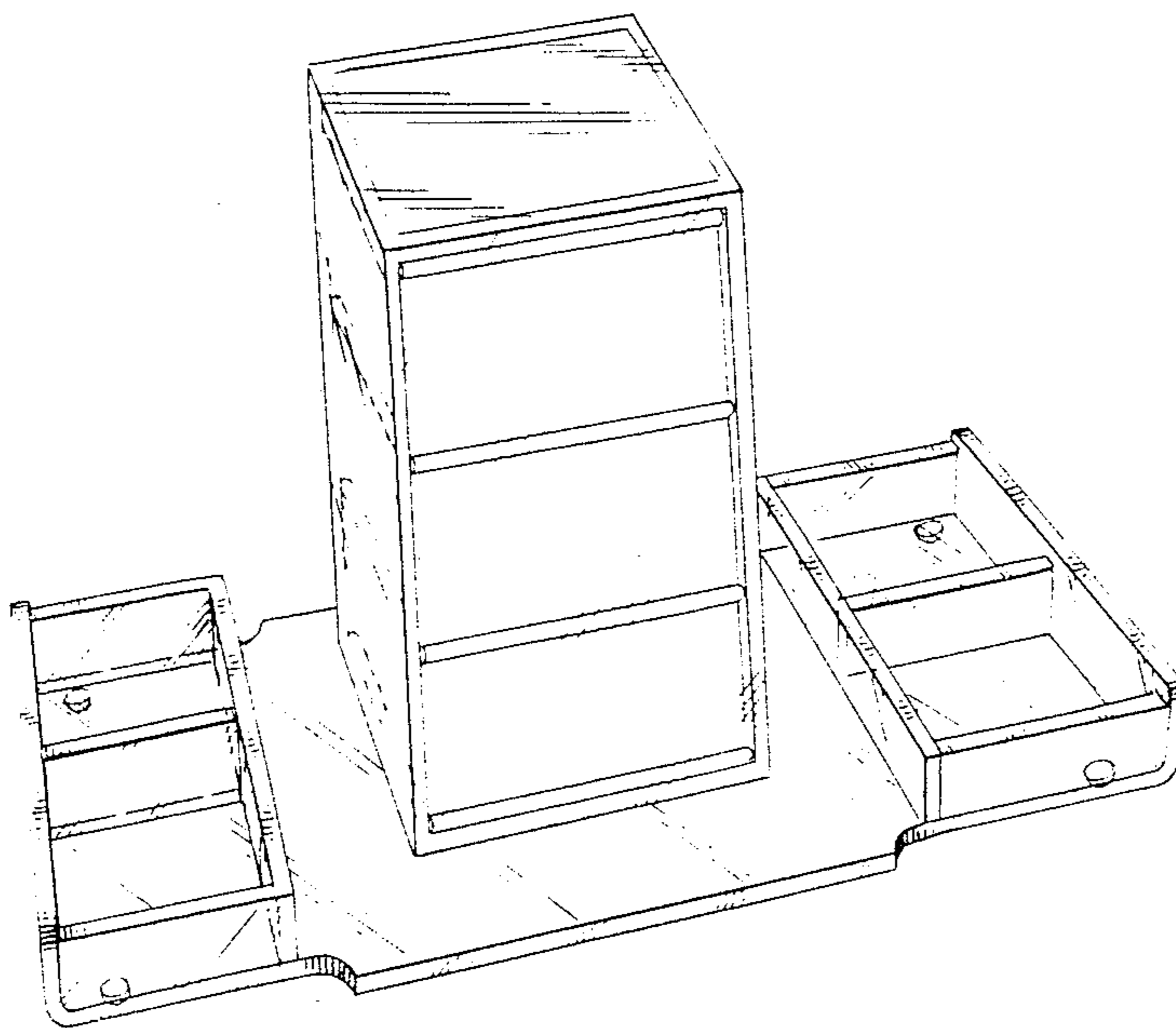


FIG. 1

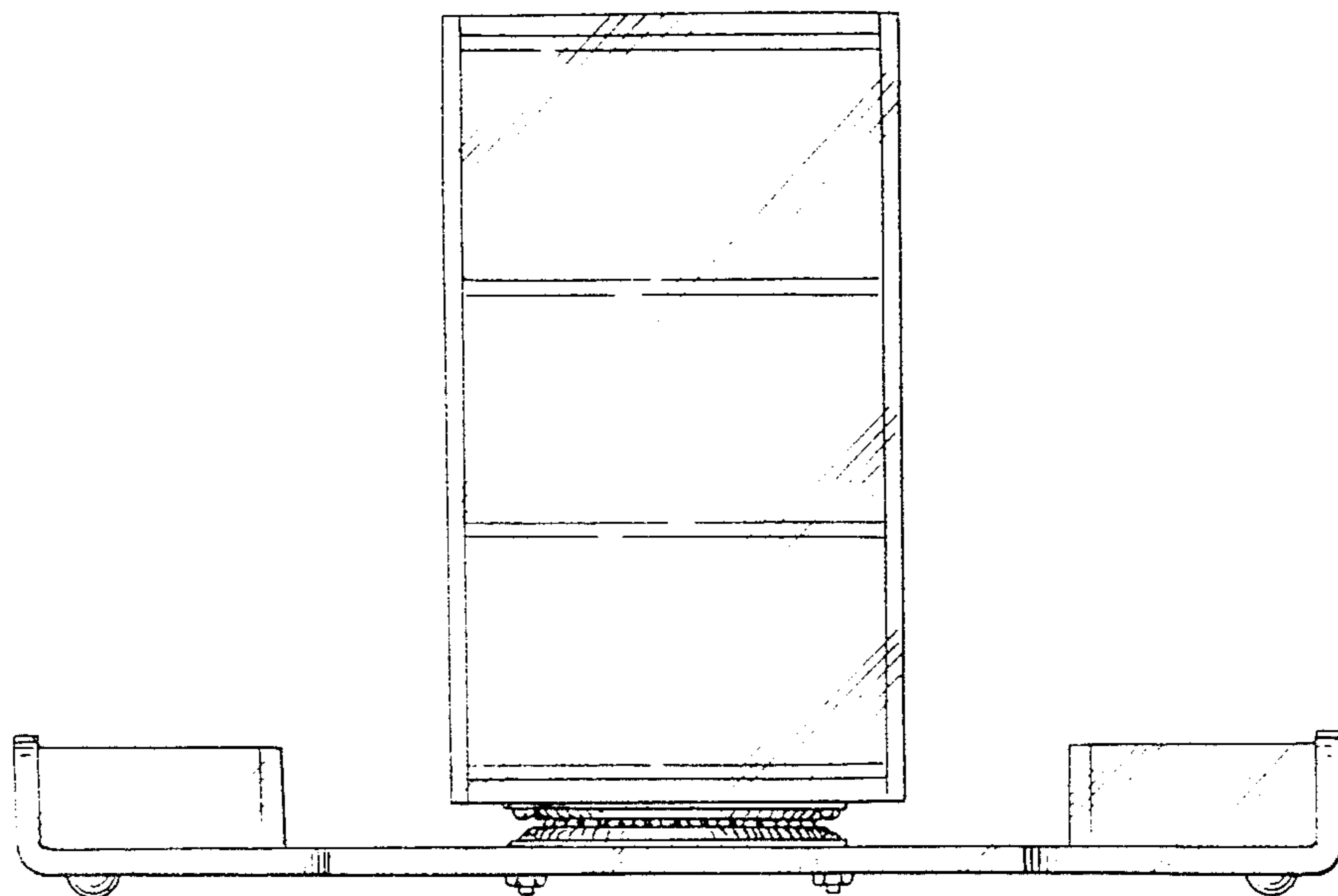
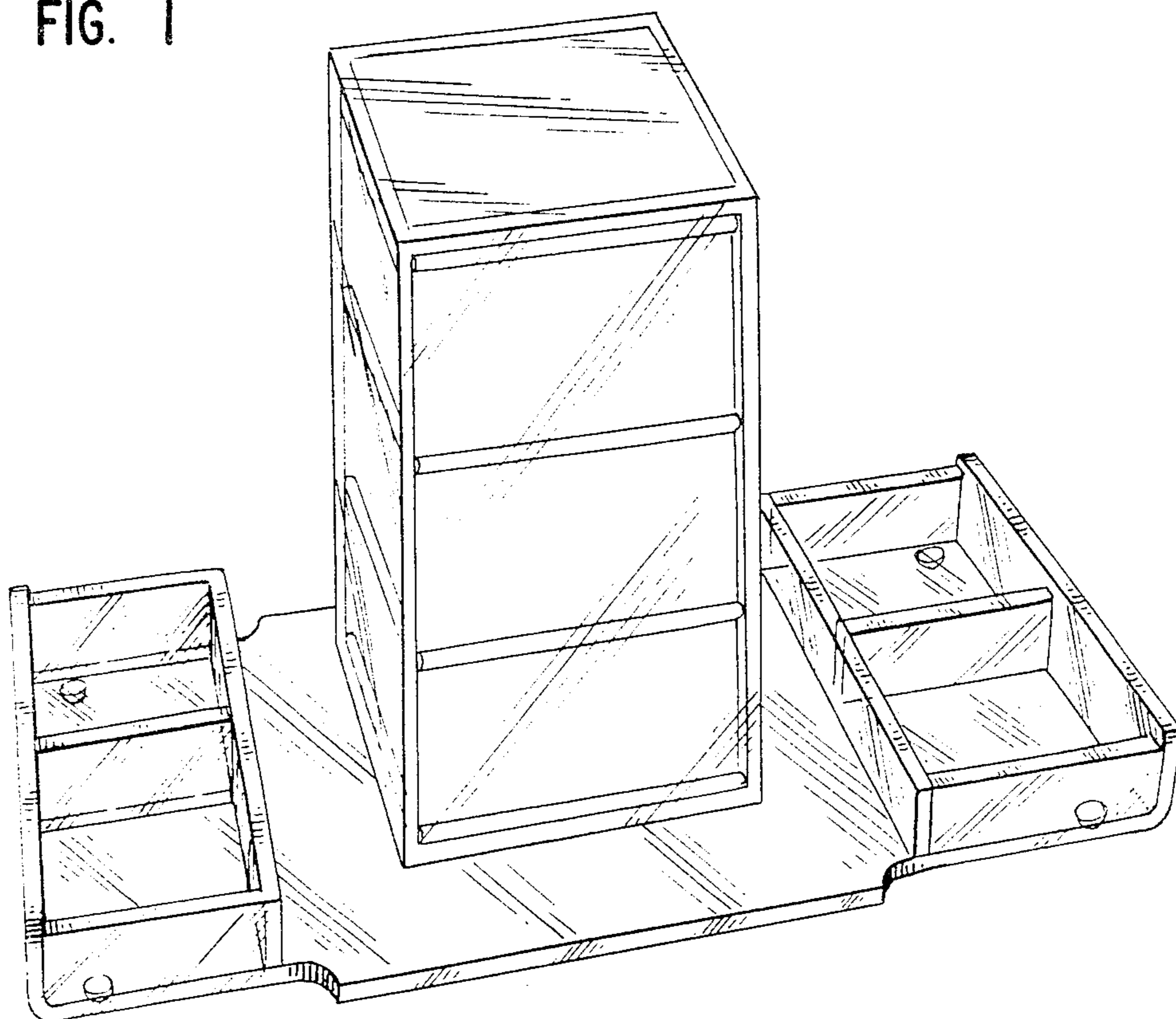


FIG. 2

FIG. 3

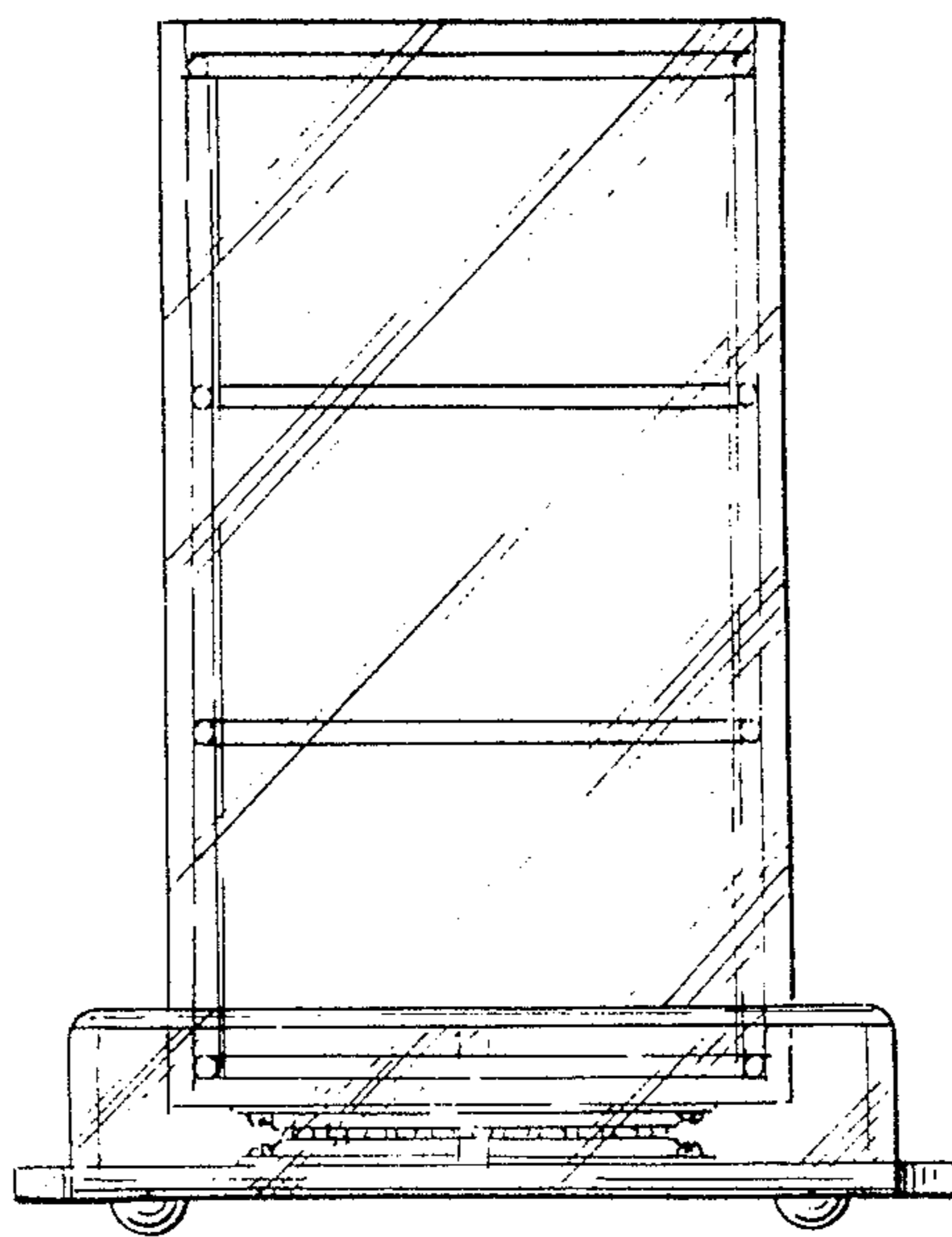
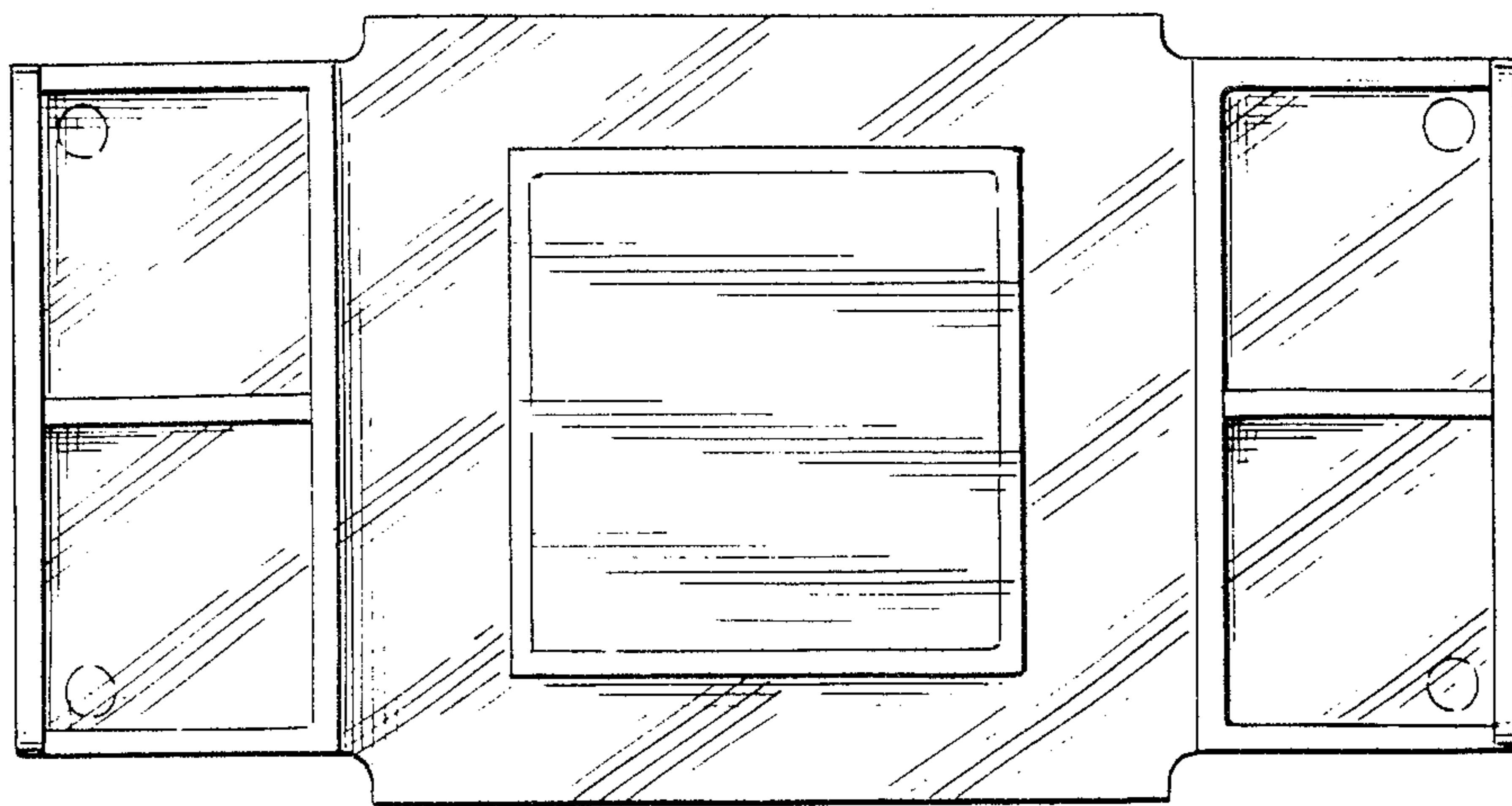


FIG. 4