

[54] **FIXED DIRECT ENDOSCOPIC OPTICAL COUPLER**

[75] **Inventor: Richard E. Feinbloom, New York, N.Y.**

[73] **Assignee: Designs for Vision, Inc., New York, N.Y.**

[**] **Term: 14 Years**

[21] **Appl. No.: 383,727**

[22] **Filed: Jun. 1, 1982**

[52] **U.S. Cl. D16/130**

[58] **Field of Search D16/130, 136, 10, 38; D24/1.8, 8, 17; 354/62, 79, 286; 358/98; 350/96.15-96.19; 128/4-9**

[56] **References Cited**

U.S. PATENT DOCUMENTS

D. 248,160	6/1978	Feinbloom et al.	D16/38
D. 272,915	3/1984	Feinbloom et al.	D16/130
4,157,216	6/1979	Plummer	354/62
4,196,990	4/1980	Forsyth	354/62
4,261,345	4/1981	Yamaguchi	128/6

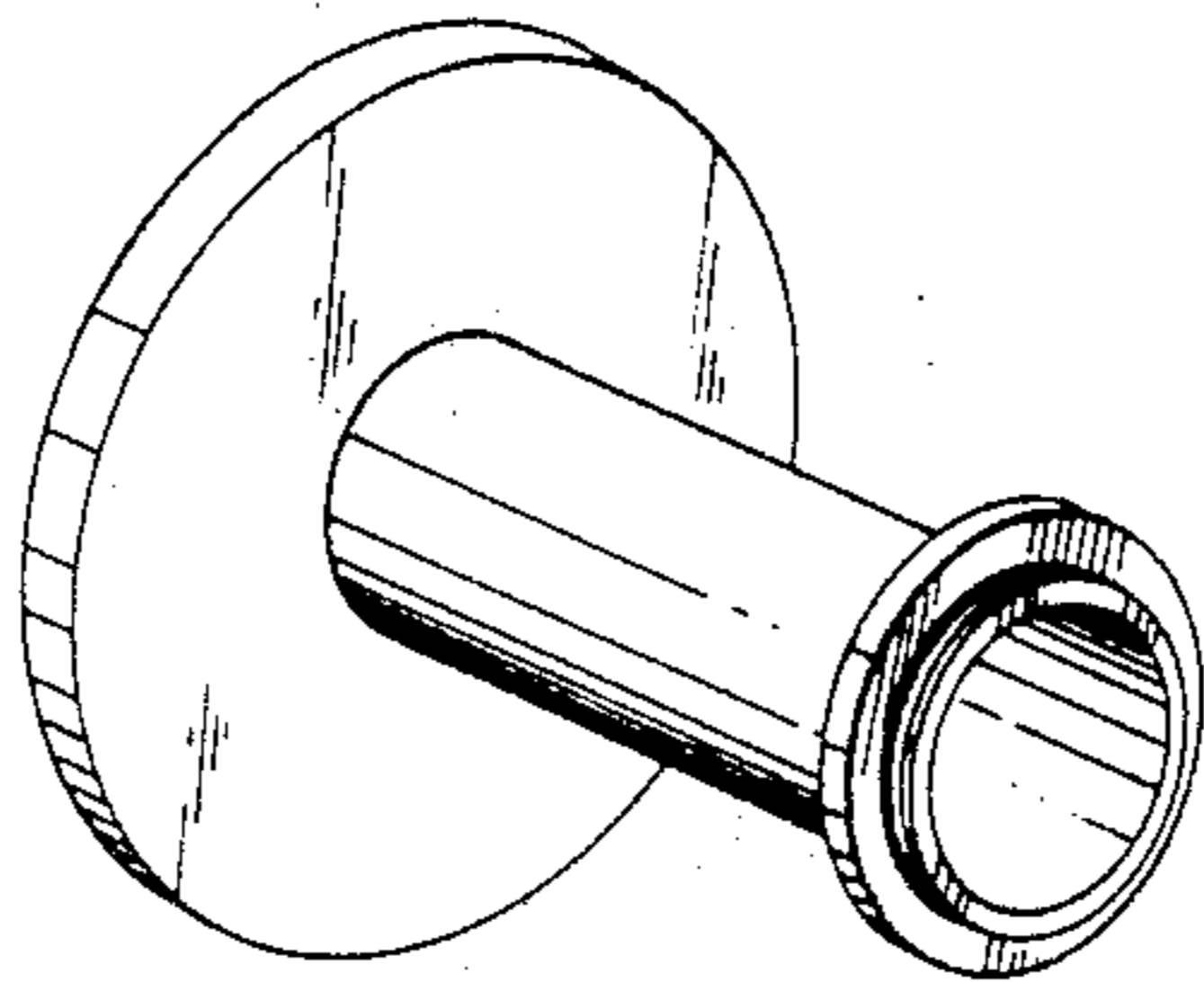
Primary Examiner—Catherine E. Kemper
Attorney, Agent, or Firm—Arthur L. Plevy

[57] **CLAIM**

The ornamental design for a fixed direct endoscopic optical coupler, as shown and described.

DESCRIPTION

FIG. 1 is a perspective view of a fixed direct endoscopic optical coupler, showing my new design;
FIG. 2 is a front elevational view thereof;
FIG. 3 is a rear elevational view thereof.



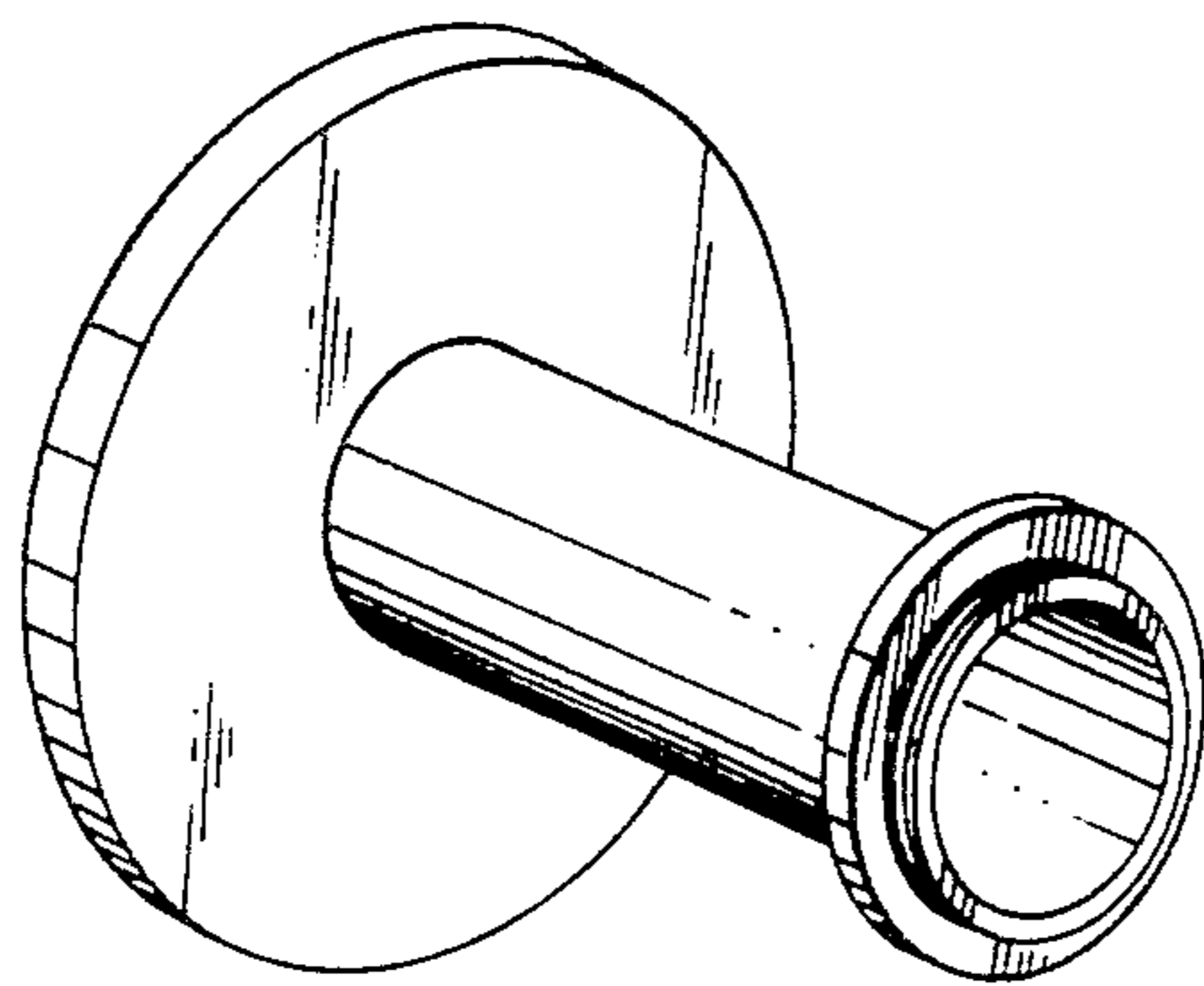


FIG. 1

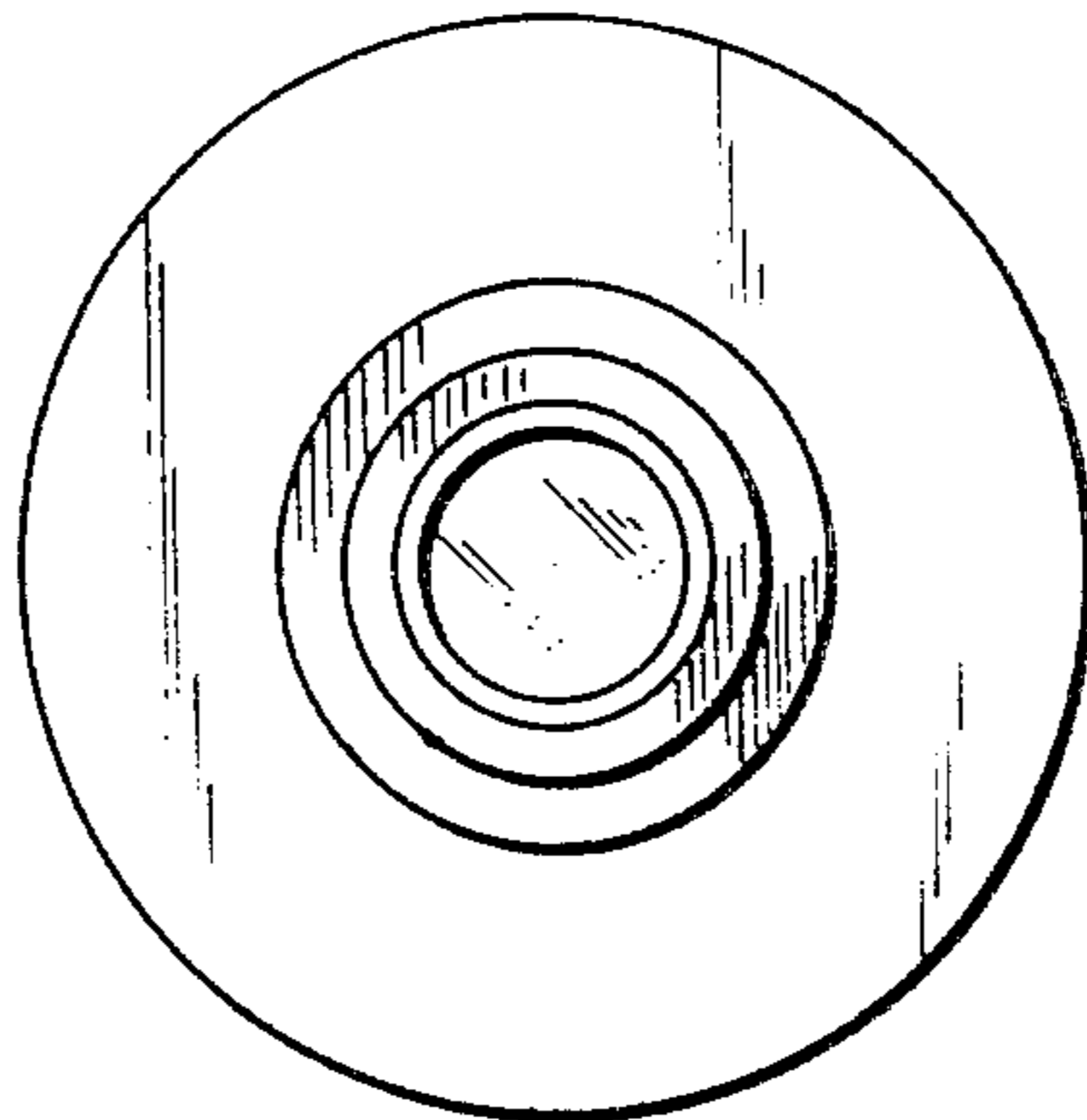


FIG. 2

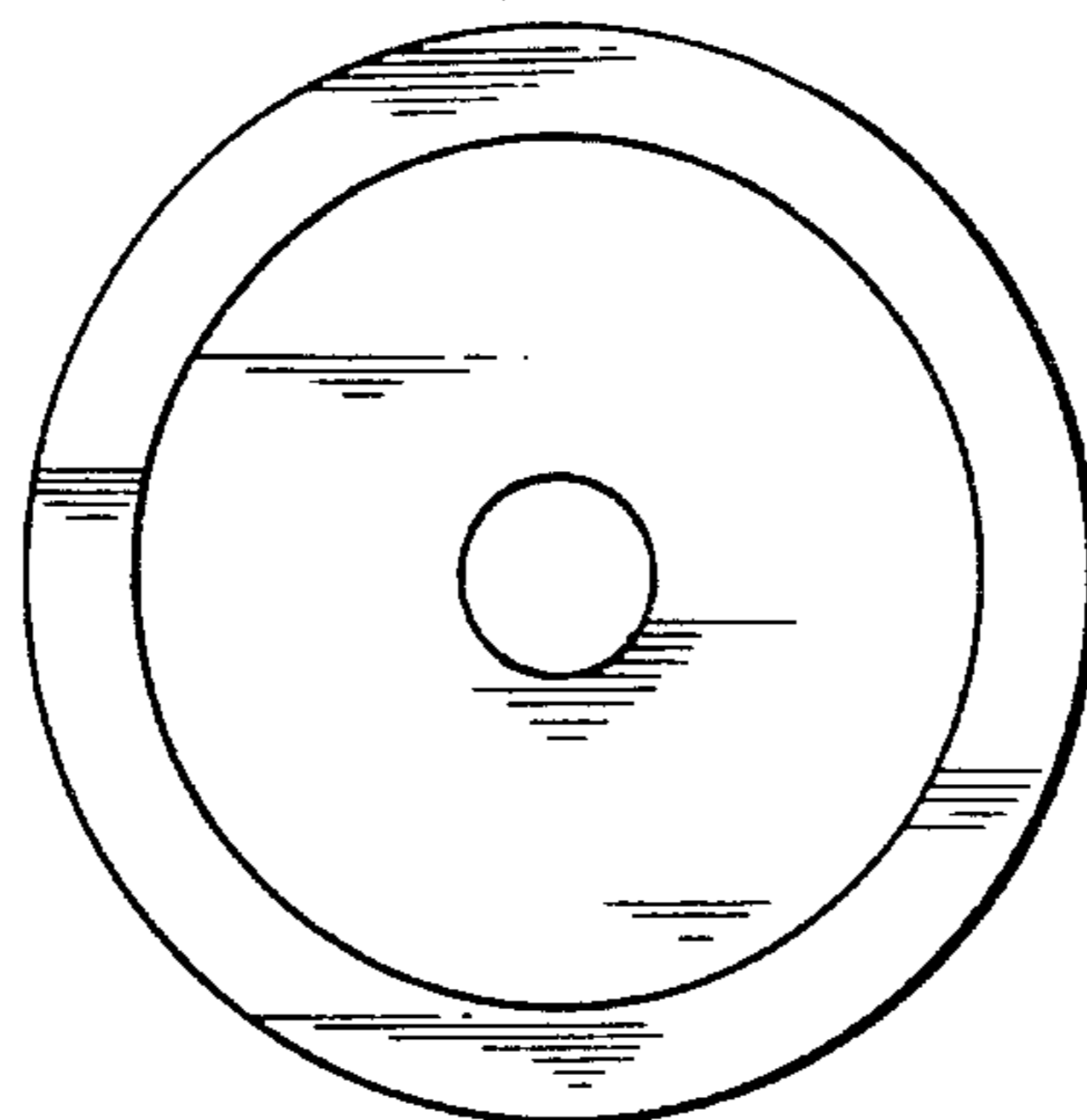


FIG. 3