

[54] TRIPOD

FOREIGN PATENT DOCUMENTS

[75] Inventors: Paul C. Mooney, Northbrook, Ill.;

858713 5/1940 France ..... D16/48  
9518 of 1888 United Kingdom ..... 248/168

[73] Assignee: Quick-Set, Incorporated,  
Northbrook, Ill.

Primary Examiner—Nelson C. Holtje  
Attorney, Agent, or Firm—Wood, Dalton, Phillips,  
Mason & Rowe

[\*\*] Term: 14 Years

[21] Appl. No.: 442,853

[22] Filed: Nov. 18, 1982

[52] U.S. Cl. .... D16/45

[58] Field of Search ..... D16/44-46;  
248/168-171, 177; D10/66

[57] CLAIM

The ornamental design for the tripod, as shown and described.

DESCRIPTION

[56] References Cited

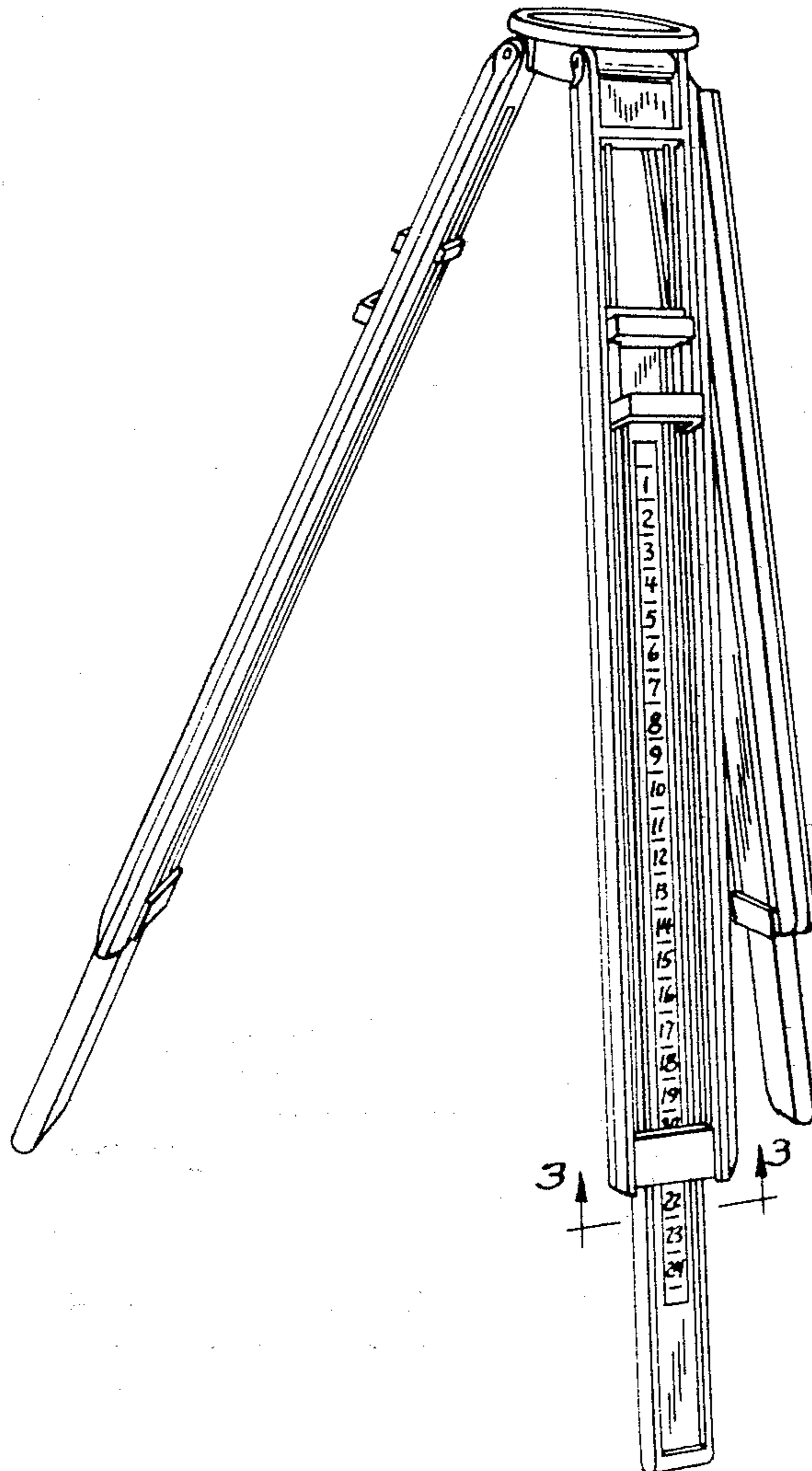
U.S. PATENT DOCUMENTS

821,052 5/1906 McLeod ..... 248/177  
821,335 5/1906 Butler ..... 248/168  
2,668,682 2/1954 Dalton ..... 248/169

FIG. 1 is a typical perspective view of a tripod showing my new design;

FIG. 2 is a typical fragmentary elevational view of the rear of the tripod leg;

FIG. 3 is a bottom plan view of a leg as taken from line 3—3 of FIG. 1.



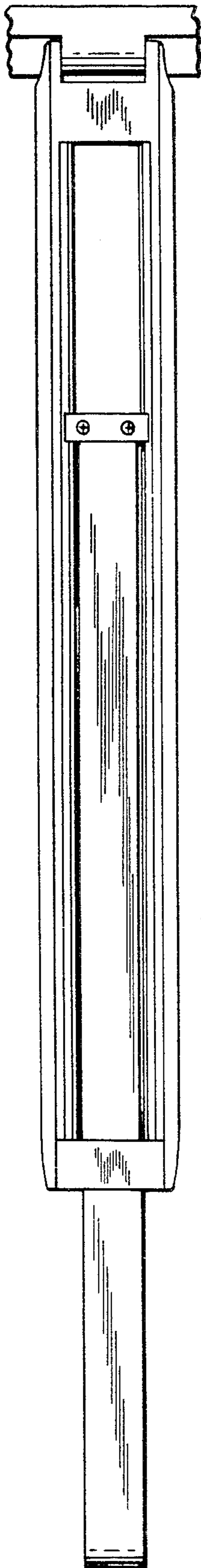


FIG. 2

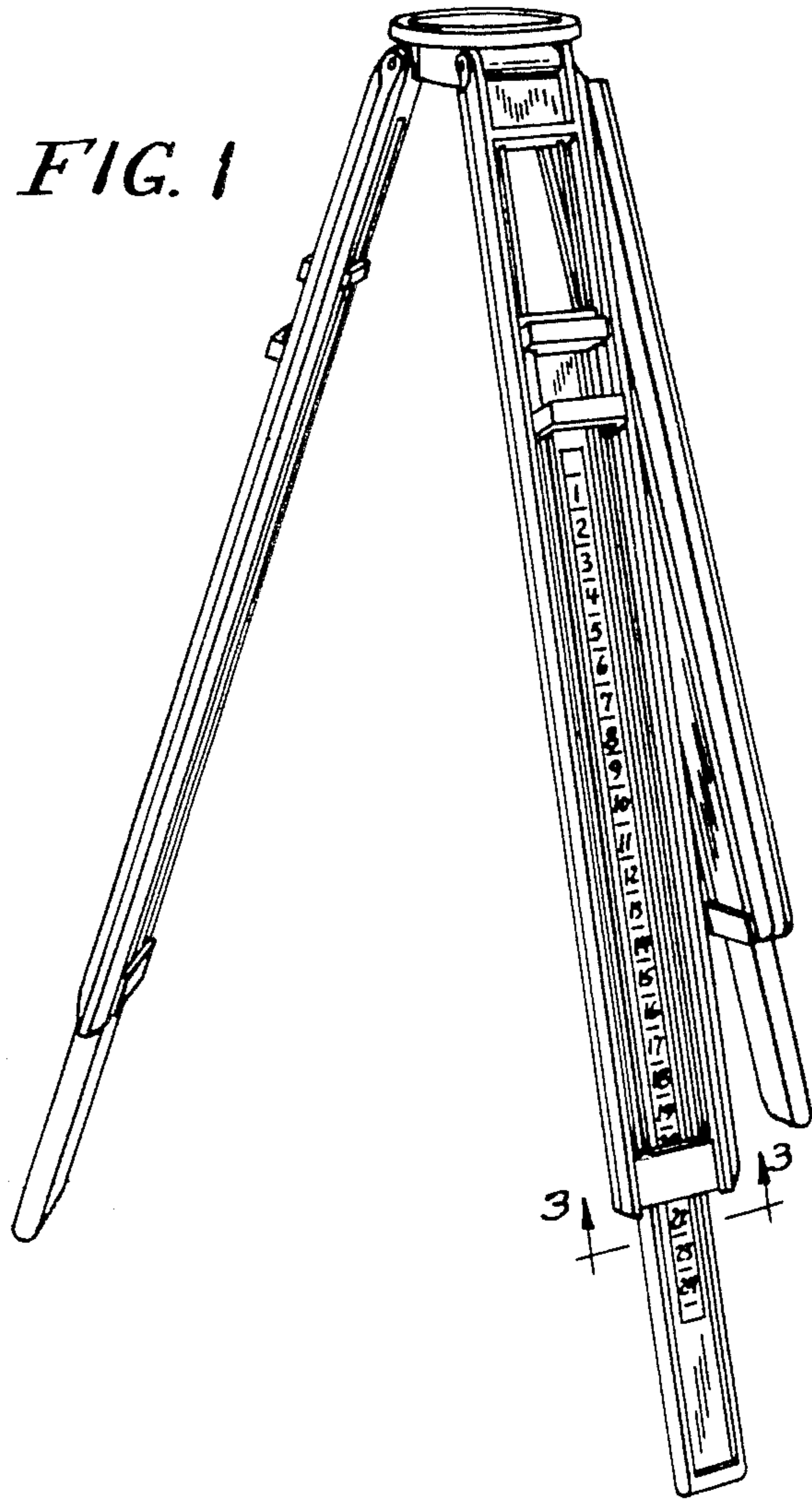


FIG. 1

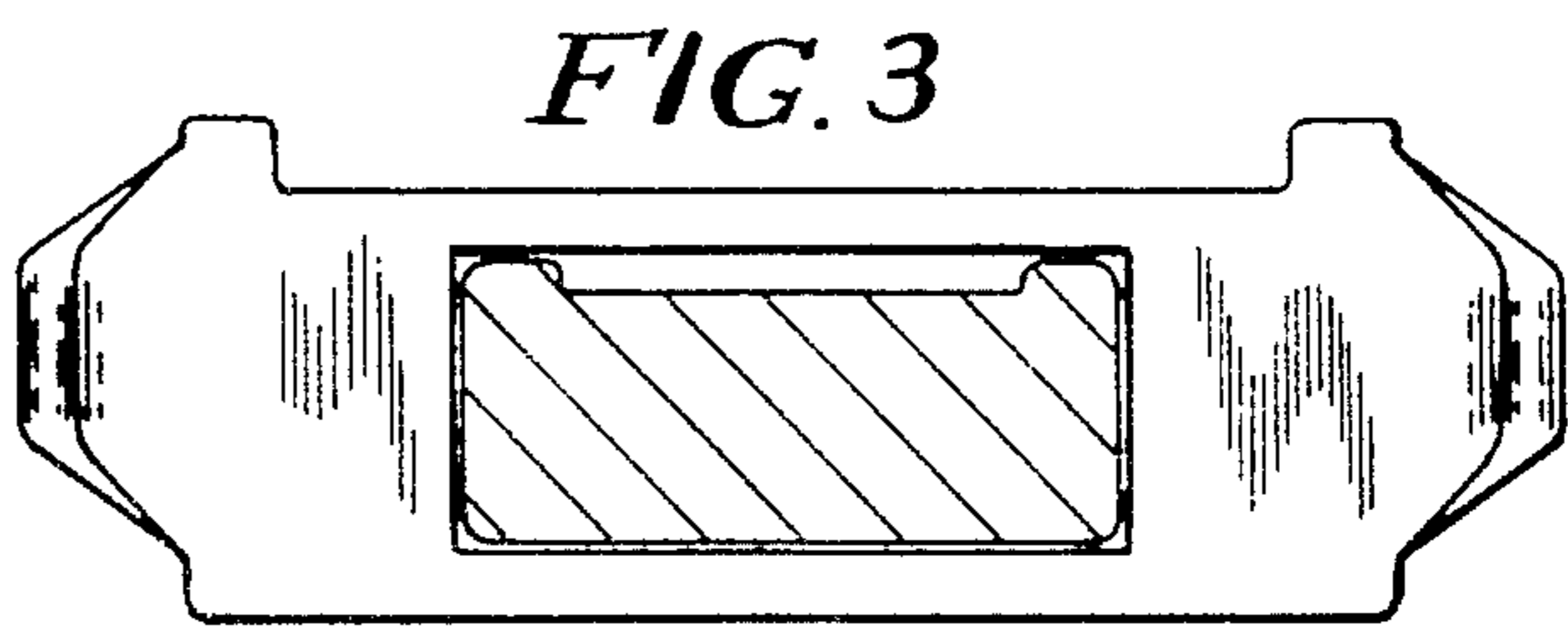


FIG. 3