

[54] COMBINED CAMERA GRIP AND TRIPOD

[75] Inventor: Rudolph Hanke, Monheim, Fed. Rep. of Germany

[73] Assignee: Hama Hamaphot KG Hanke & Thomas, Monheim, Fed. Rep. of Germany

[**] Term: 14 Years

[21] Appl. No.: 382,187

[22] Filed: May 26, 1982

[52] U.S. Cl. D16/45

[58] Field of Search D16/44, 45, 46, 47; 248/168, 169, 170, 171, 167; 352/243, 244; 354/293-295

[56] References Cited

U.S. PATENT DOCUMENTS

| | | | | |
|------------|--------|----------|-------|---------|
| D. 222,118 | 9/1971 | Nakatani | | D16/45 |
| 3,508,482 | 4/1970 | Taylor | | 352/243 |
| 3,632,073 | 1/1972 | Nakatani | | 248/169 |
| 3,836,986 | 9/1974 | Kawazoe | | 354/293 |

| | | | | |
|-----------|---------|----------|-------|-----------|
| 4,074,881 | 2/1978 | Bickford | | 248/170 X |
| 4,121,799 | 10/1978 | Michio | | 248/171 |

OTHER PUBLICATIONS

Hama FotoTechnic Catalog, 80-81—p. 96—Tripods at left.

Primary Examiner—Nelson C. Holtje
Attorney, Agent, or Firm—Marshall, O'Toole, Gerstein, Murray & Bicknell

[57] CLAIM

The ornamental design for combined camera grip and tripod, substantially as shown and described.

DESCRIPTION

FIG. 1 is a top and left-front perspective view of a combined camera grip and tripod showing my new design;

FIG. 2 is a bottom and right-rear perspective view thereof;

FIG. 3 is a top and left-front perspective view thereof with tripod legs extended;

FIG. 4 is a bottom plan view of FIG. 4.

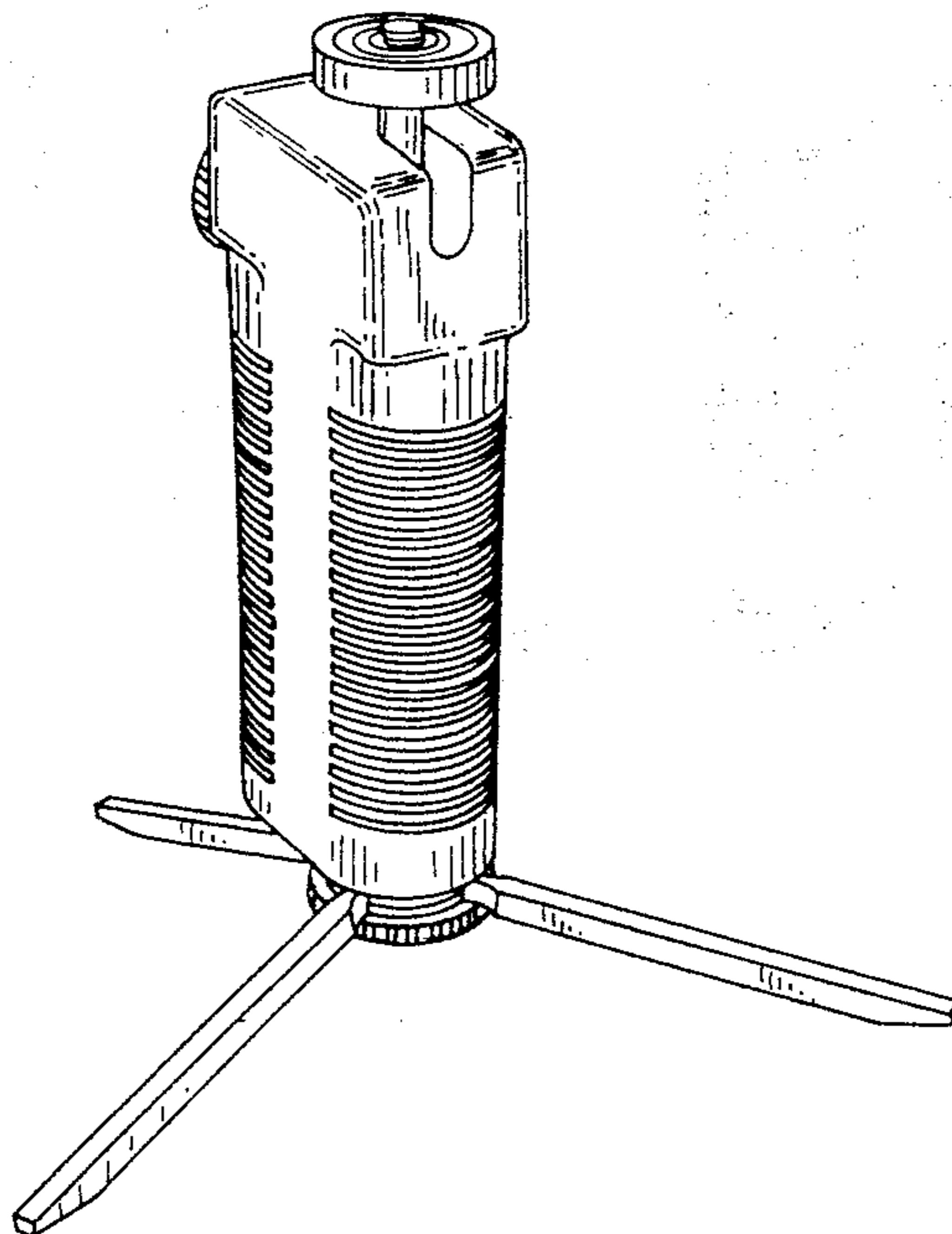


FIG. 1

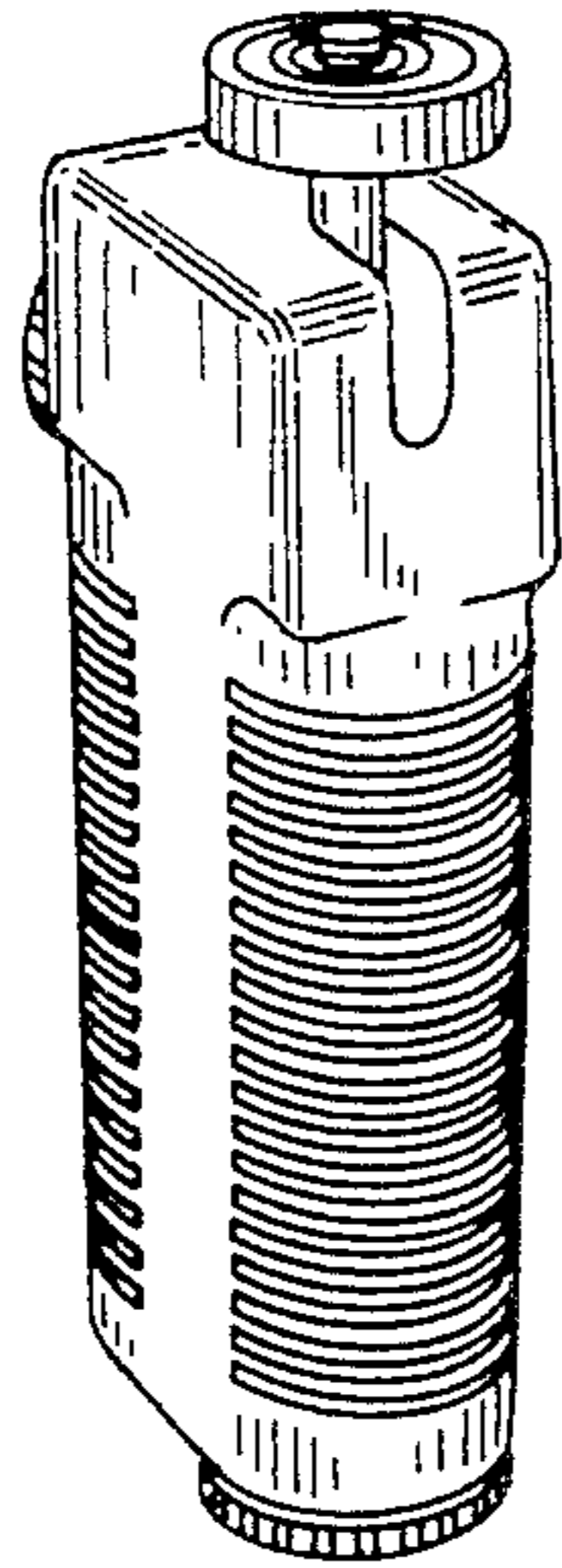


FIG. 2

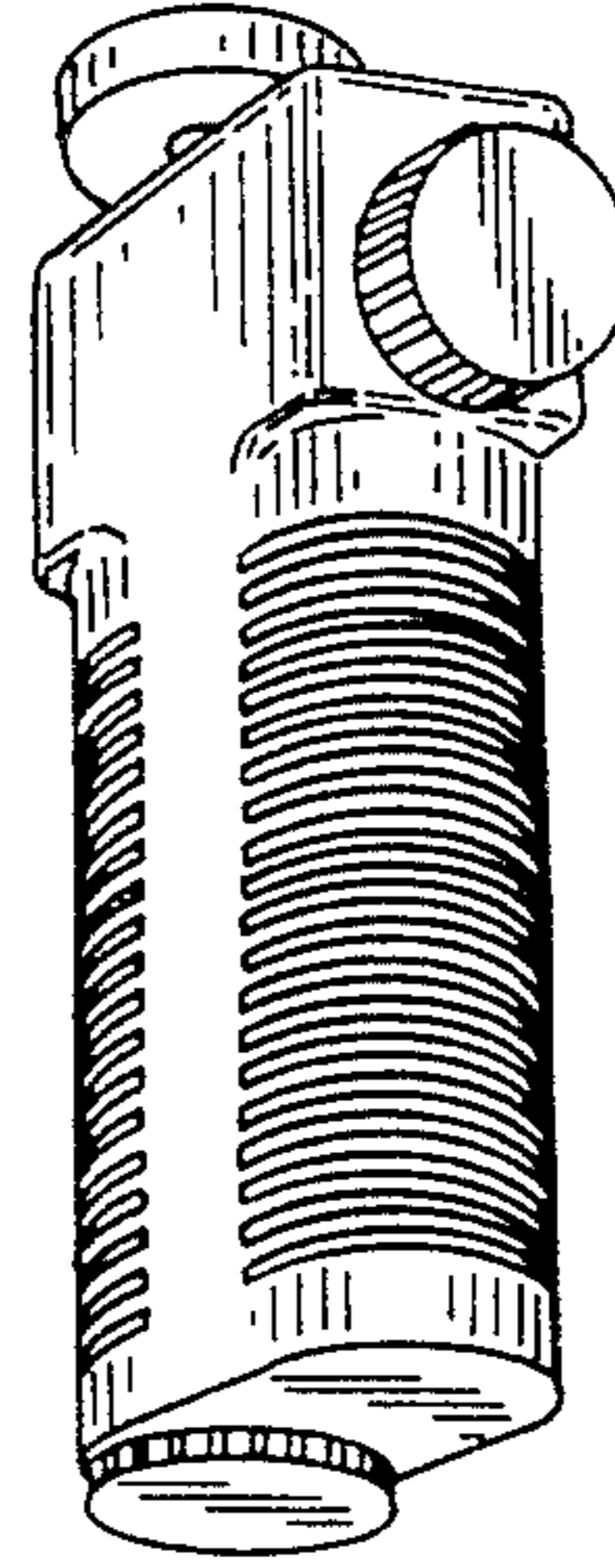


FIG. 3

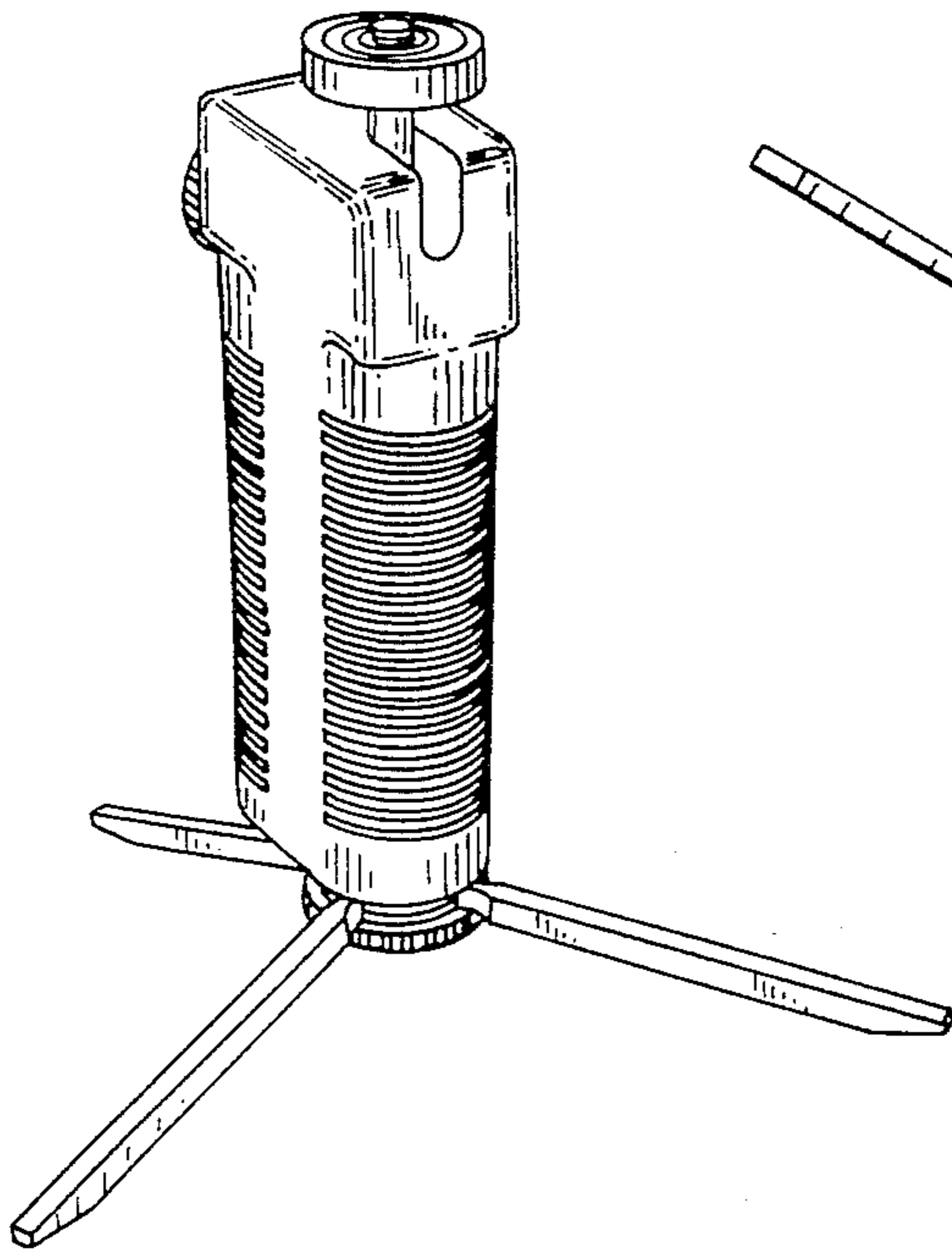


FIG. 4

