

[54] SHOULDER SUPPORT FOR PHOTOGRAPHIC EQUIPMENT

[75] Inventor: Rudolph Hanke, Monheim, Fed. Rep. of Germany

[73] Assignee: Hama Hamaphot KG Hanke & Thomas, Monheim, Fed. Rep. of Germany

[\*\*] Term: 14 Years

[21] Appl. No.: 368,283

[22] Filed: Apr. 14, 1982

[30] Foreign Application Priority Data

Jan. 20, 1982 [DE] Fed. Rep. of Germany ..... MR-482

[52] U.S. Cl. .... D16/44

[58] Field of Search ..... D16/44, 45, 46, 47; 248/167-171; 354/82, 170, 173, 212, 293-295; 352/243, 244, 176-177

[56] References Cited

U.S. PATENT DOCUMENTS

D. 166,933	6/1952	Secofsky .....	D16/44
2,483,711	10/1949	Roos .....	354/293
2,926,591	3/1960	Huffman .....	D16/44 X
3,105,430	10/1963	Fernelius .....	D16/44 X
4,437,753	3/1984	Dunn .....	352/243 X

Primary Examiner—Nelson C. Holtje  
Attorney, Agent, or Firm—Marshall, O'Toole, Gerstein, Murray & Bicknell

[57] CLAIM

The ornamental design for a shoulder support for photographic equipment, substantially as shown and described.

DESCRIPTION

FIG. 1 is a top and right-front perspective view of a shoulder support for photographic equipment showing my new design;

FIG. 2 is a bottom and left front perspective view thereof;

FIG. 3 is a top and left-rear perspective view thereof.

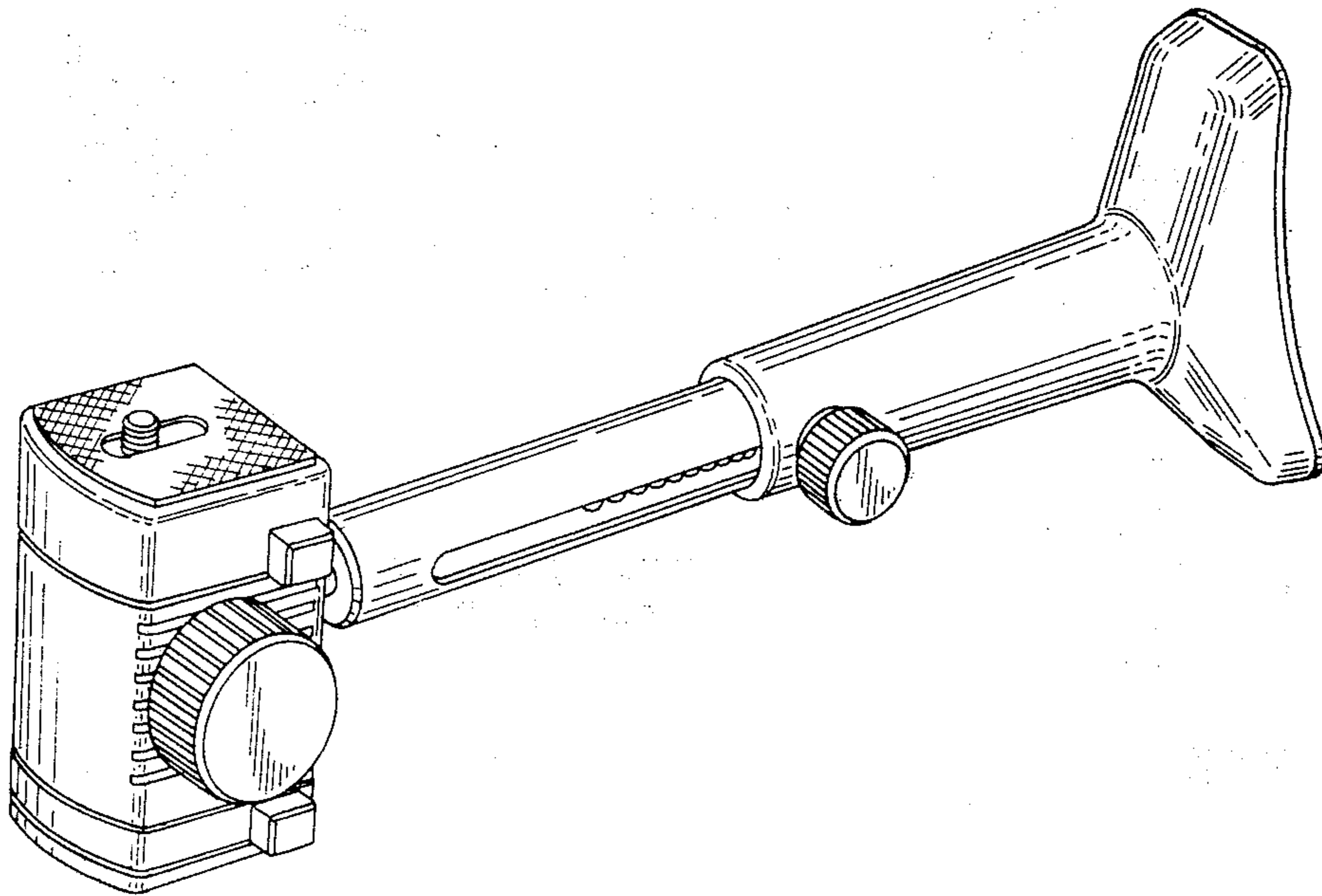


FIG-1

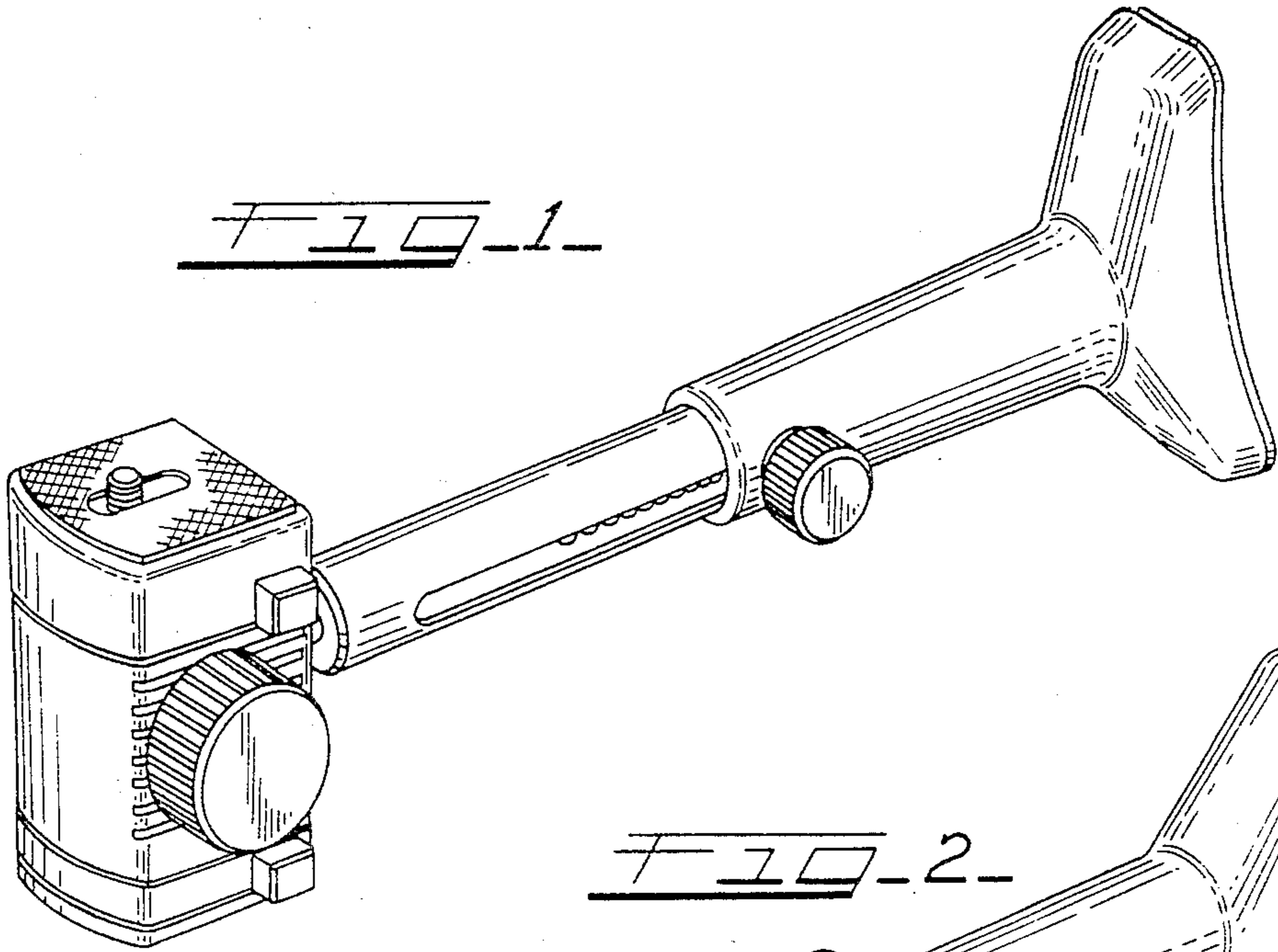


FIG-2

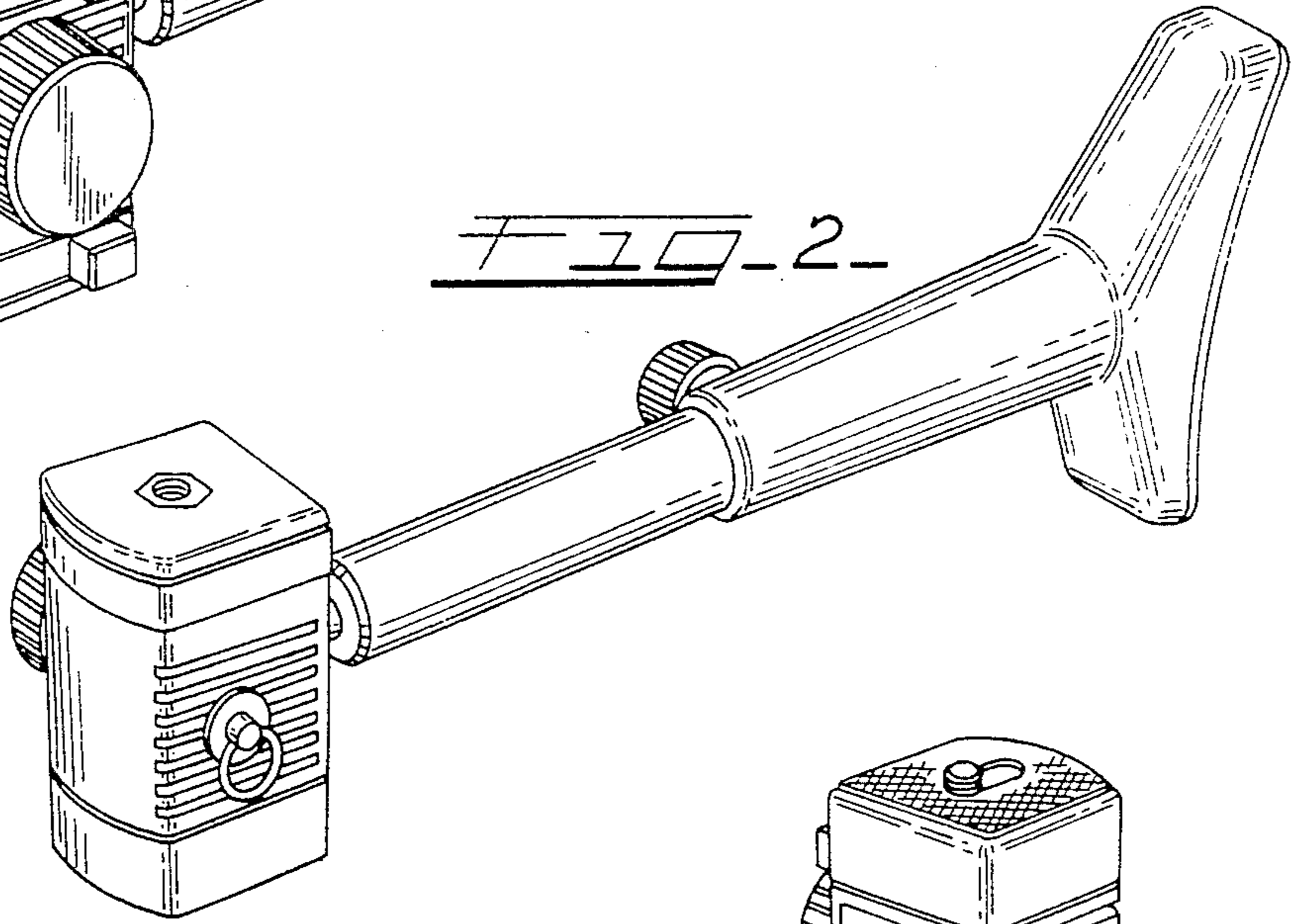


FIG-3

