

[54] PLANER

4,394,878 7/1983 Rice et al. 144/117 R

[75] Inventors: John G. Legler; Edward A. Irelan, both of Columbia, Mo.; Michael J. Duwell, Columbus, Ohio

Primary Examiner—B. J. Bullock
Attorney, Agent, or Firm—Biebel, French & Nauman

[73] Assignee: Shopsmith, Inc., Dayton, Ohio

[57] CLAIM

[**] Term: 14 Years

The ornamental design for a planer, substantially as shown and described.

[21] Appl. No.: 409,758

DESCRIPTION

[22] Filed: Aug. 16, 1982

[52] U.S. Cl. D15/127

[58] Field of Search D15/122, 127; 144/117 R

FIG. 1 is a reduced perspective view of a planer showing my new design, showing the front, top and one side thereof;

FIG. 2 is a side view taken from the right of FIG. 1;

FIG. 3 is a side view taken from the left of FIG. 1;

FIG. 4 is a top view thereof;

FIG. 5 is a bottom view thereof, the portions of the chain and gear not shown are understood to be identical to those shown.

FIG. 6 is a front view thereof; and

FIG. 7 is a rear view thereof.

[56] References Cited

U.S. PATENT DOCUMENTS

- D. 267,406 12/1982 Glore D15/127
- 2,908,301 10/1959 Baumbach et al. 144/117 R
- 3,291,170 12/1966 Nishimura 144/117 R

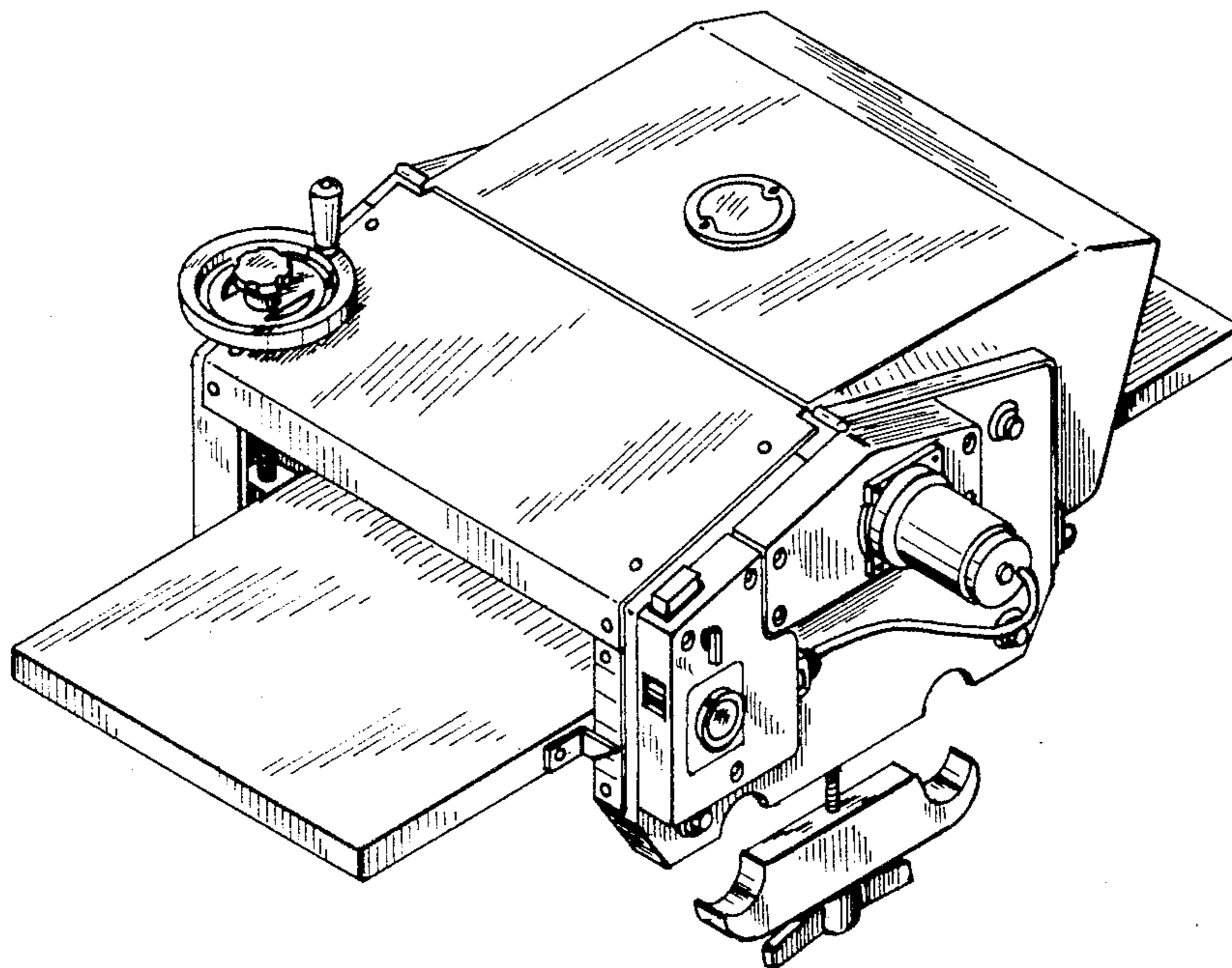
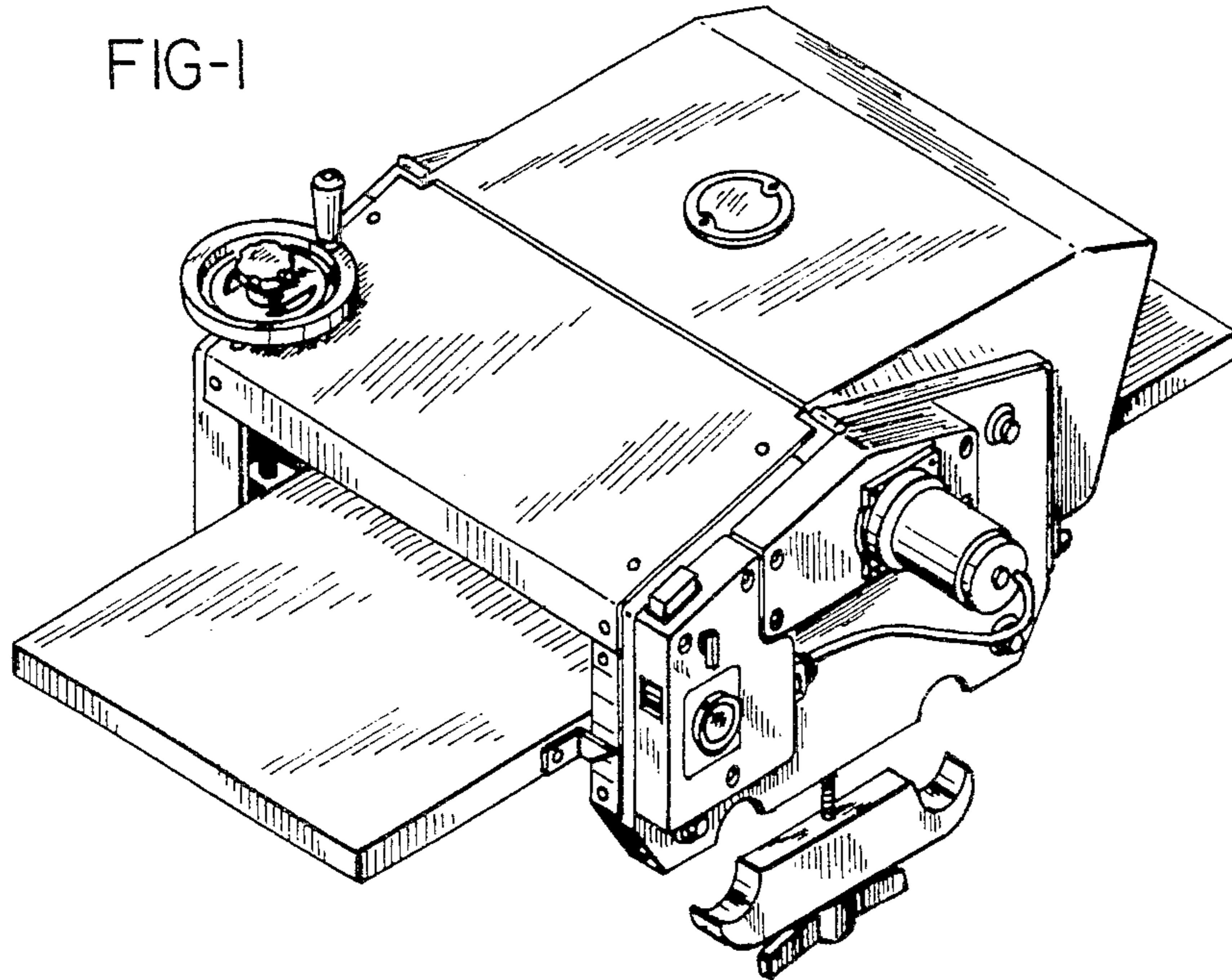
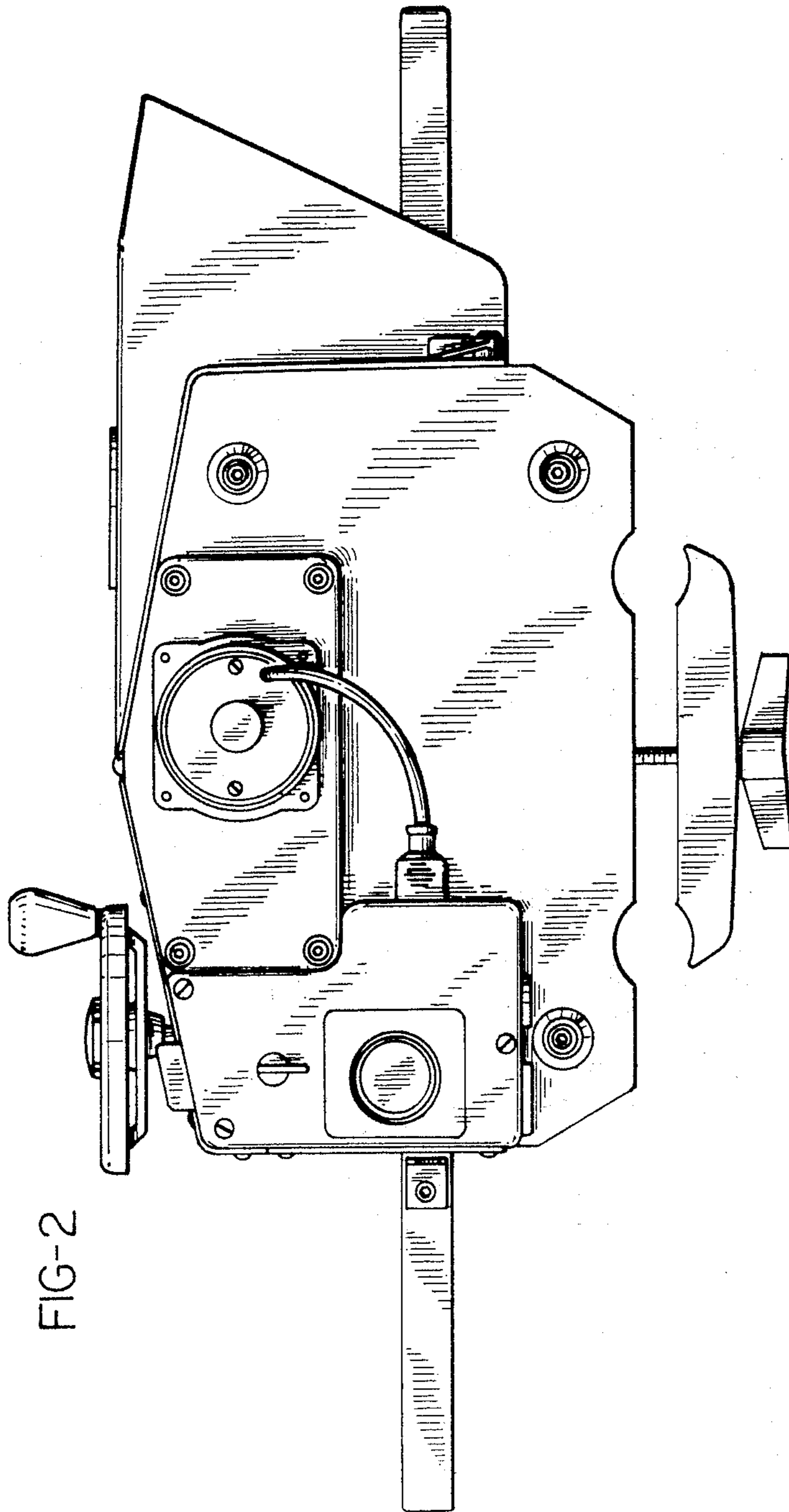


FIG-1





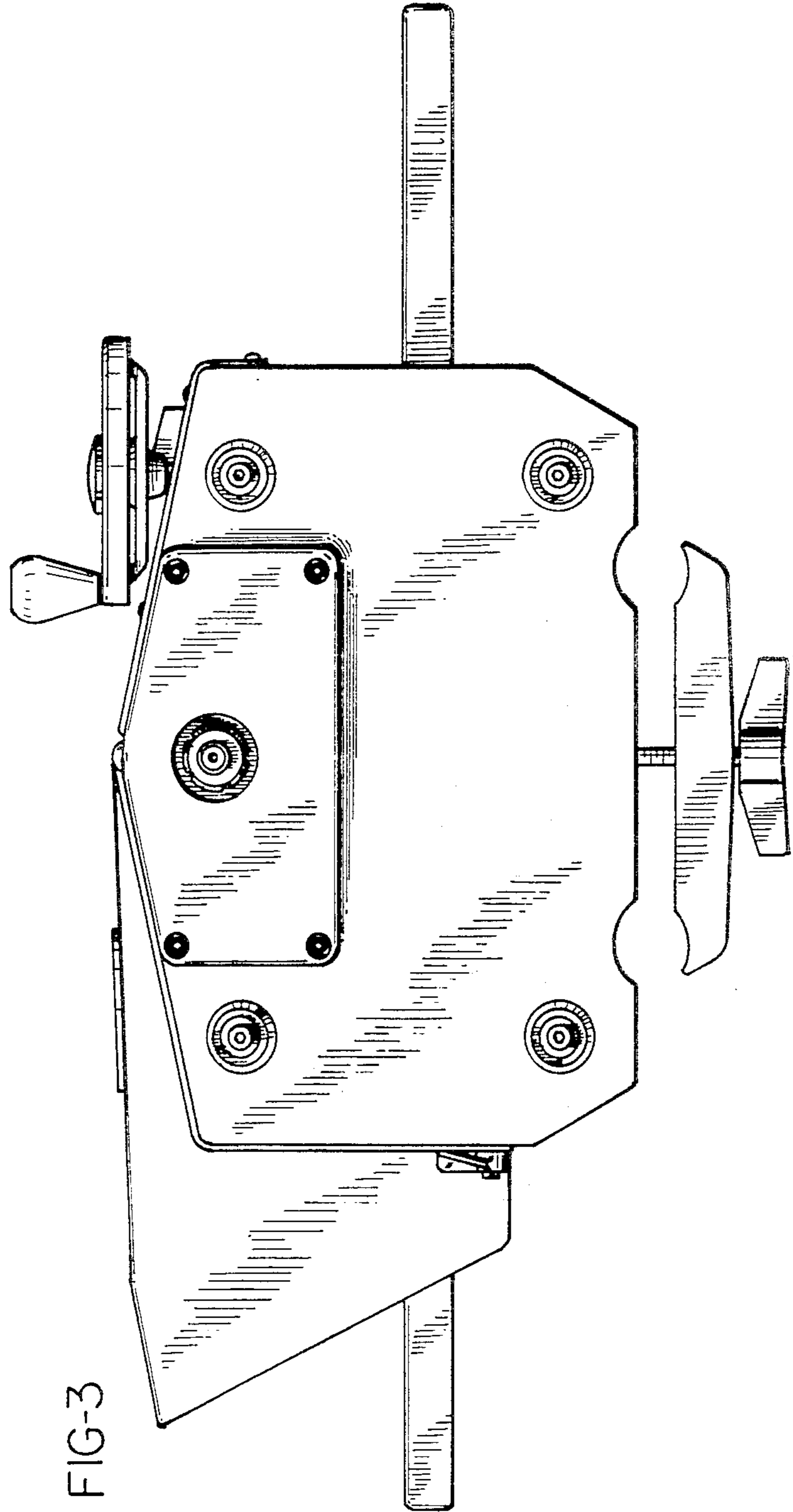


FIG-4

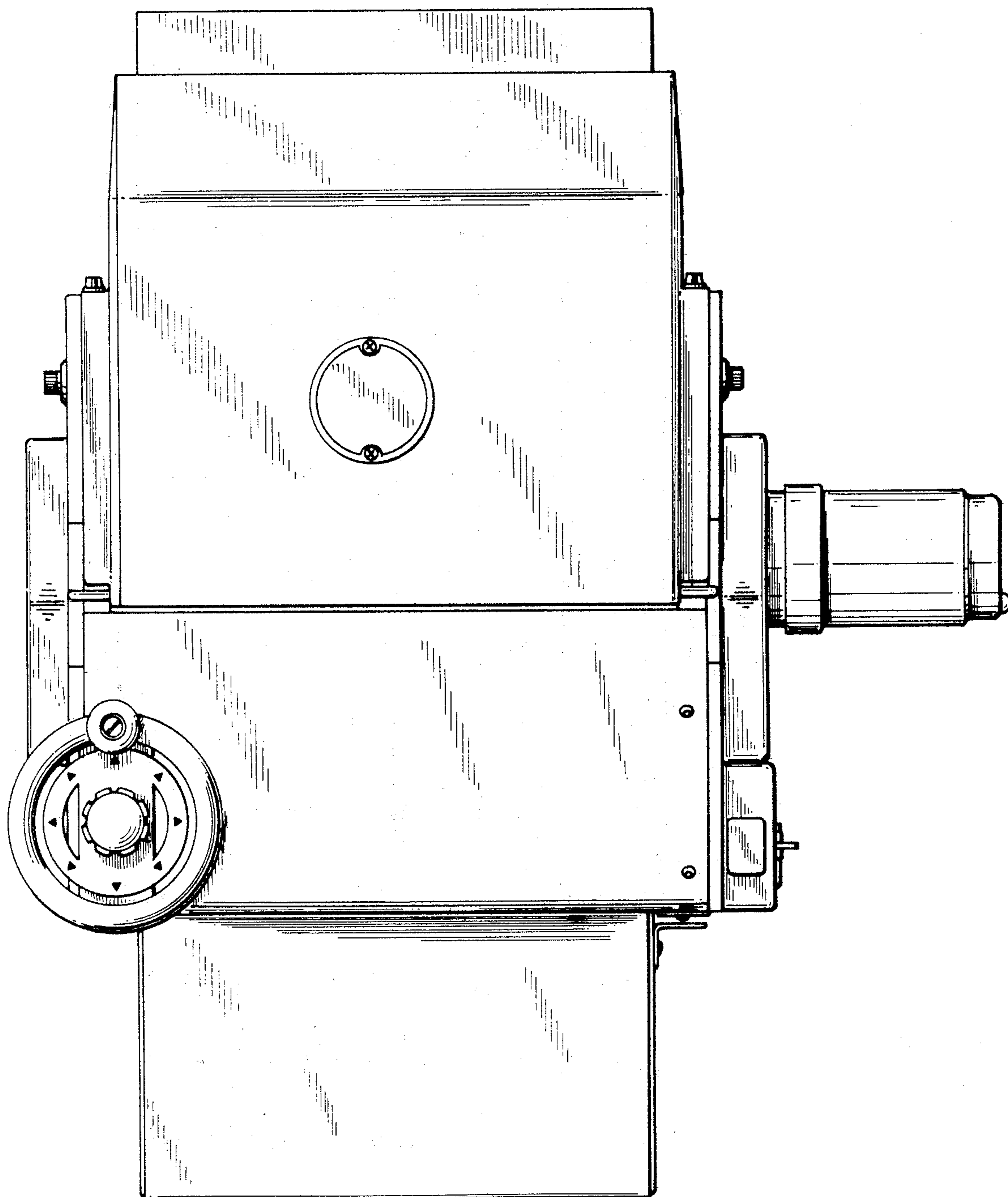


FIG-5

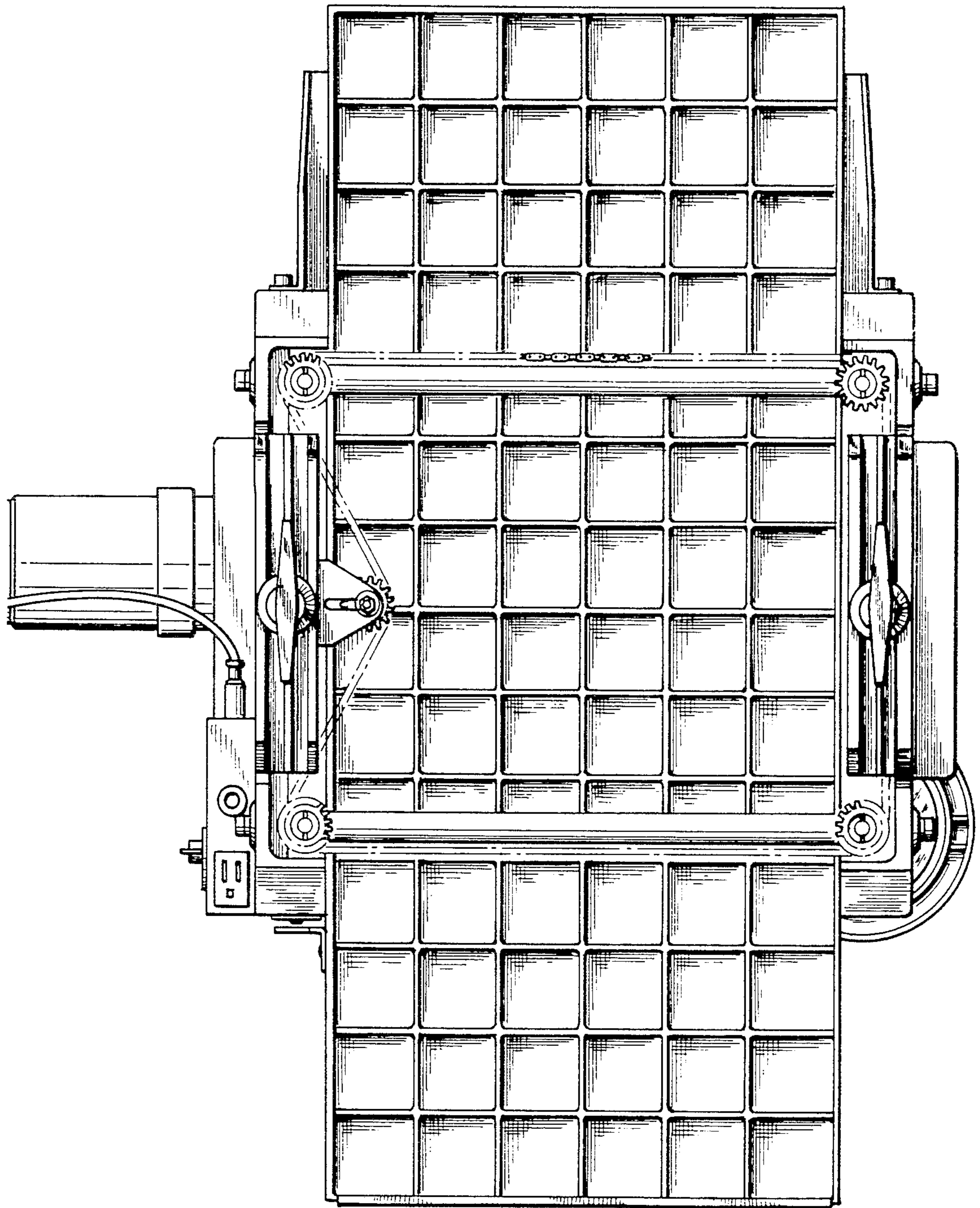


FIG-6

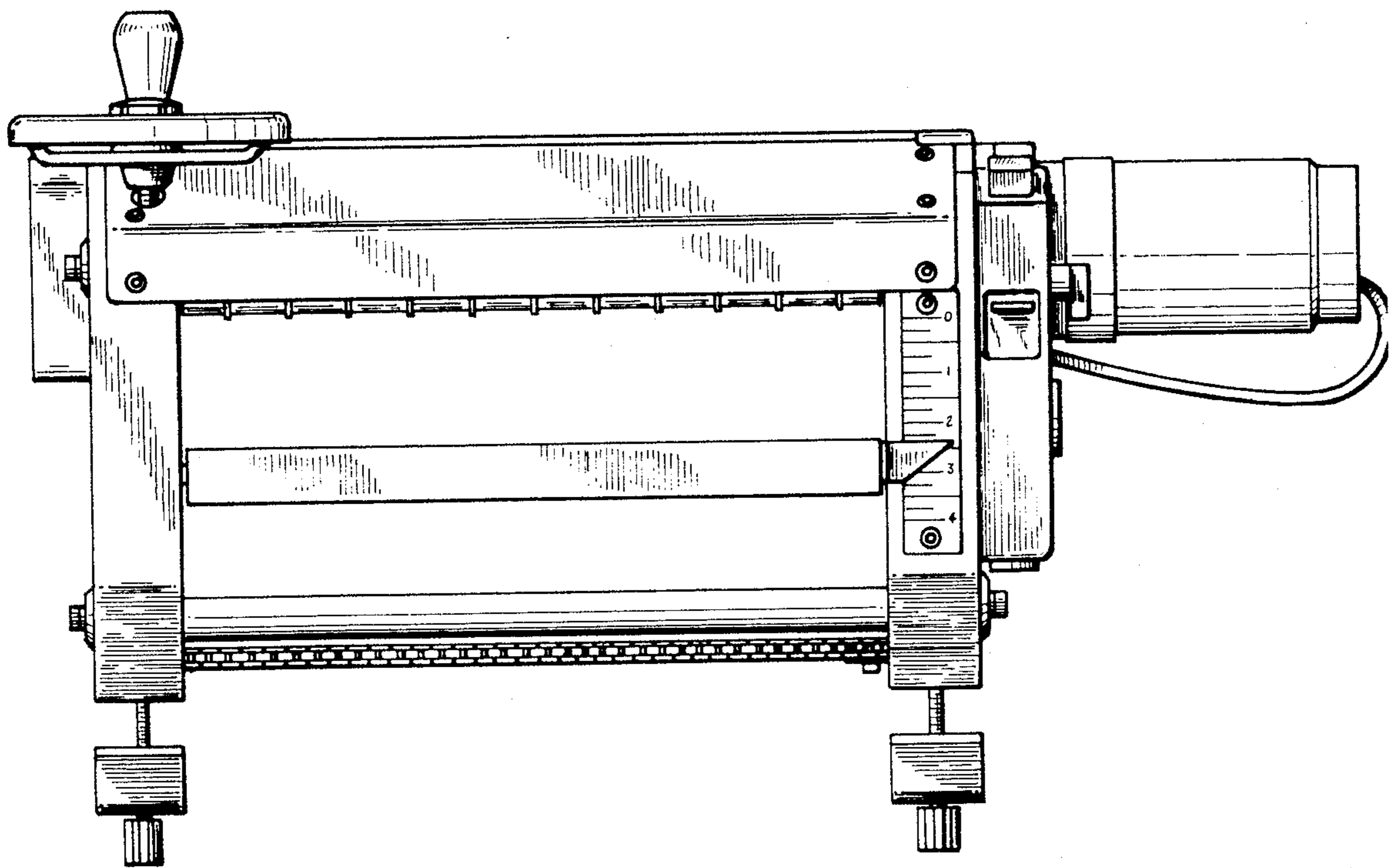


FIG-7

