

[54] IMPELLER WHEEL FOR AN ABRASIVE BLASTING MACHINE

[75] Inventor: William G. G. Tutton, Belper, England

[73] Assignee: Auto Alloys R&D Limited, Derbyshire, England

[**] Term: 14 Years

[21] Appl. No.: 149,553

[22] Filed: May 13, 1980

[30] Foreign Application Priority Data

Nov. 13, 1979 [GB] United Kingdom 992340
 [52] U.S. Cl. D15/126
 [58] Field of Search D15/124-126,
 D15/138, 139; 51/434, 435

[56]

References Cited

U.S. PATENT DOCUMENTS

3,160,992 12/1964 Moore 51/434
 3,401,489 9/1968 Wern 51/434
 3,629,975 12/1971 Good 51/434

Primary Examiner—B. J. Bullock
 Attorney, Agent, or Firm—C. O. Marshall, Jr.

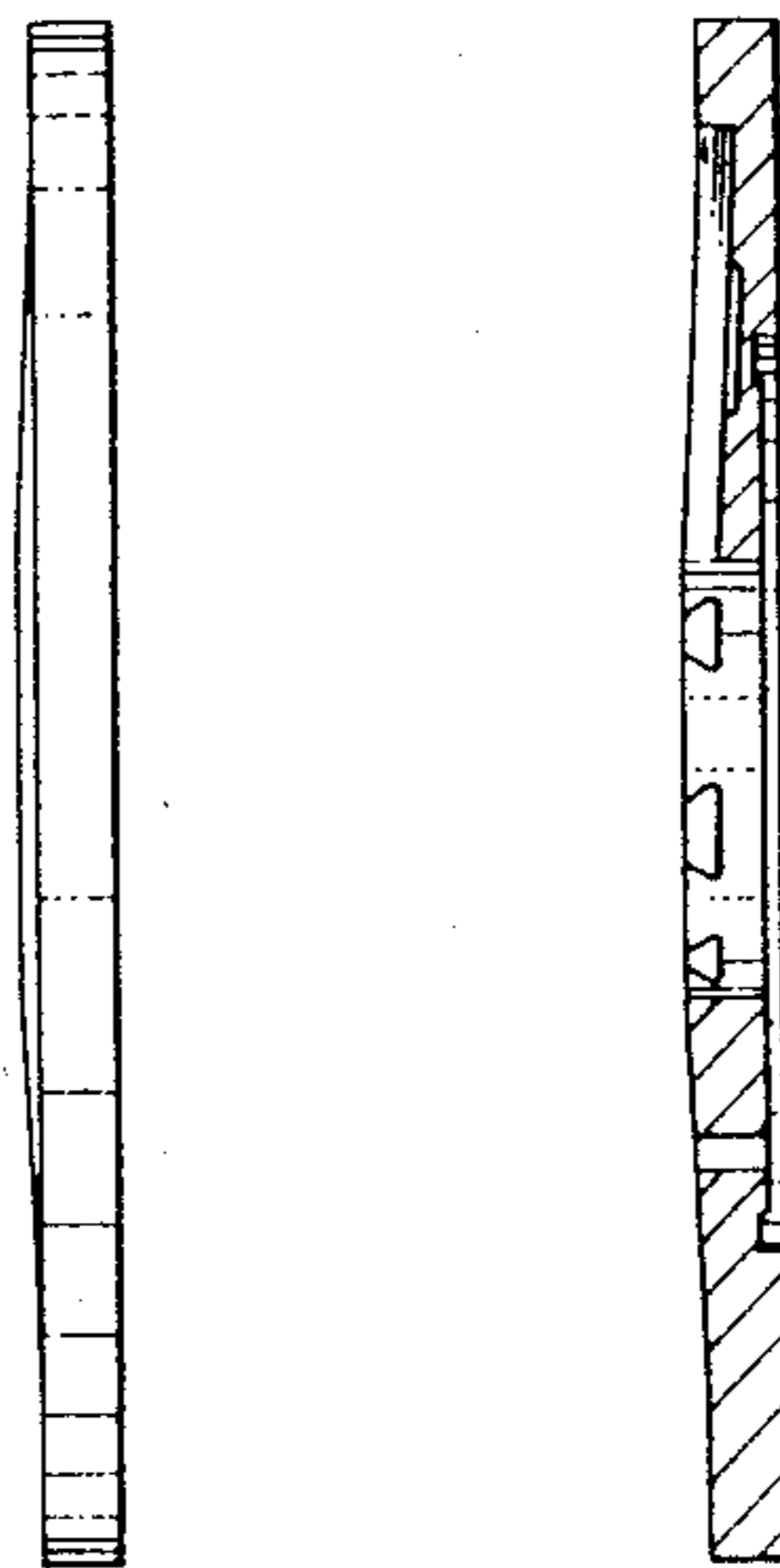
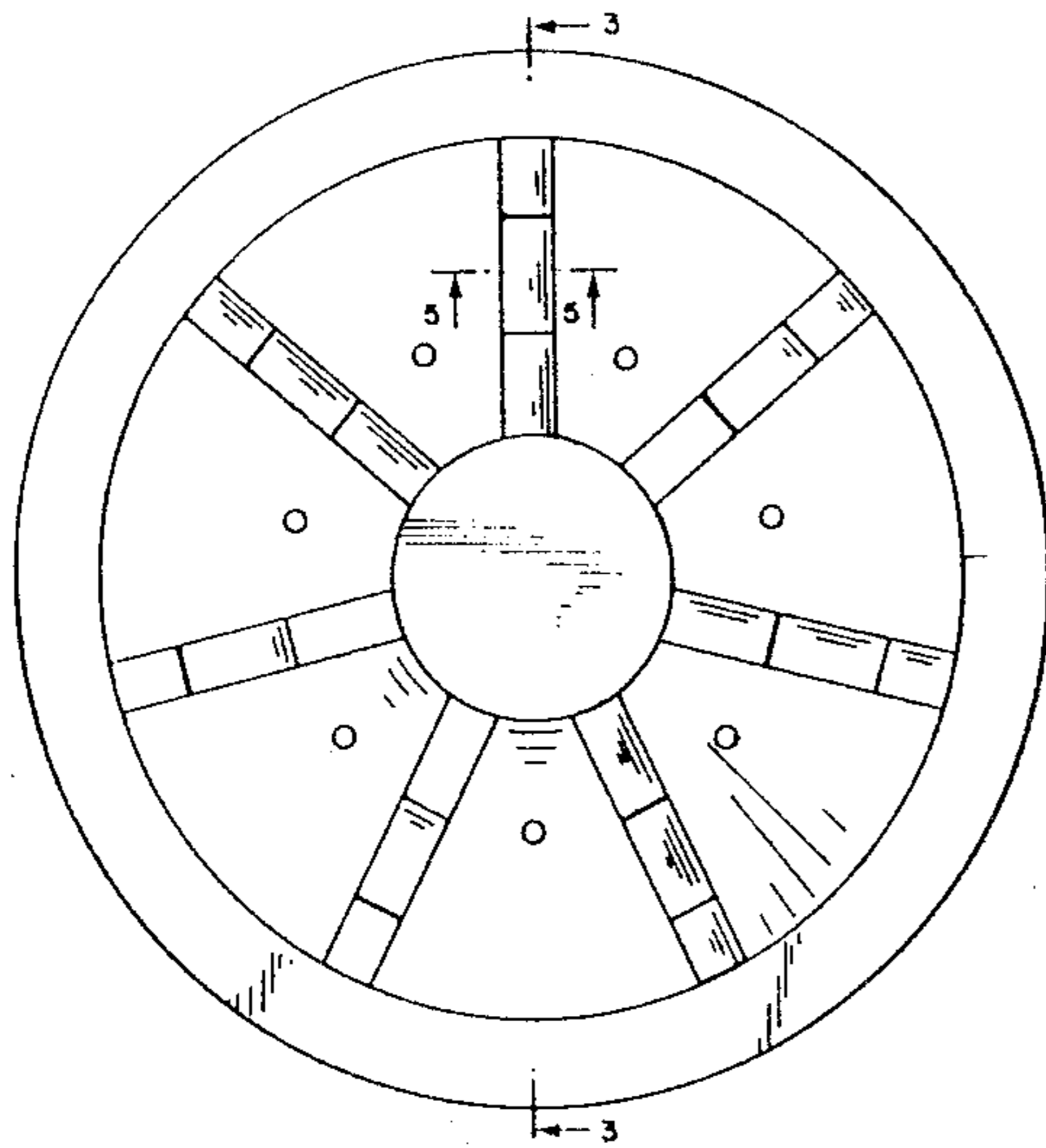
[57]

CLAIM

The ornamental design for an impeller wheel for an abrasive blasting machine, as shown and described.

DESCRIPTION

FIG. 1 is a top plan view of an impeller wheel for an abrasive blasting machine showing my new design;
 FIG. 2 is a side elevational view thereof;
 FIG. 3 is a sectional view taken in the direction of the arrows on line 3—3 of FIG. 1;
 FIG. 4 is a bottom plan view thereof;
 FIG. 5 is an enlarged fragmentary sectional view taken on line 5—5 of FIG. 1.



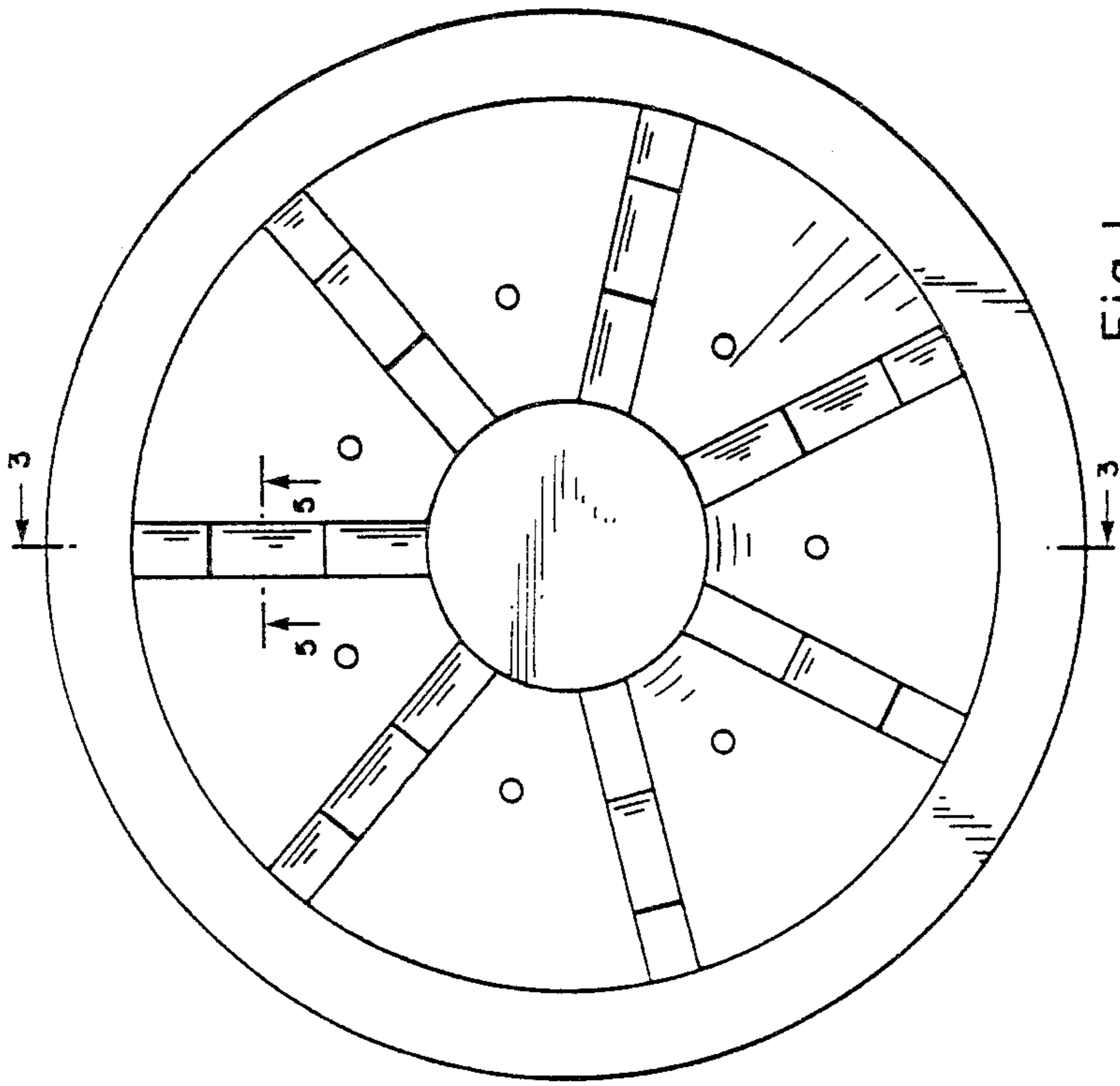


Fig. 1



Fig. 2



Fig. 3

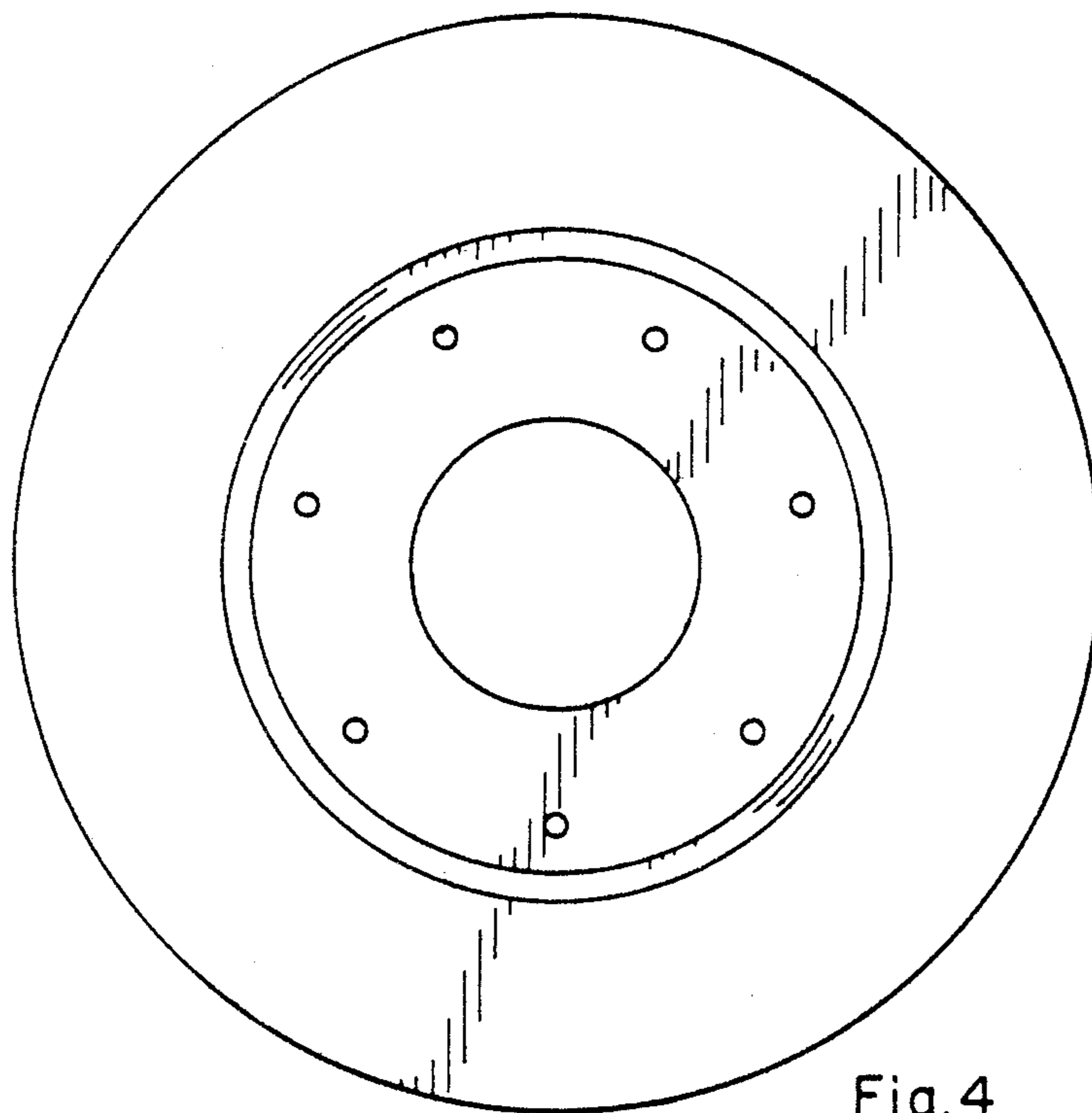


Fig. 4

Fig. 5

