

[54] COMBINED SEWING MACHINE AND WORK SUPPORT EXTENSION

[75] Inventors: George D. La Police, Somerville; Michael P. Ballone, New Providence, both of N.J.

[73] Assignee: The Singer Company, Stamford, Conn.

[**] Term: 14 Years

[21] Appl. No.: 371,032

[22] Filed: Apr. 22, 1982

[52] U.S. Cl. D15/69; D15/72; D15/76

[58] Field of Search D15/66, 67, 68, 69, D15/70, 71, 72, 73, 74, 75, 76, 77, 78; 112/63, 258, 259, 260, 261

[56] References Cited

U.S. PATENT DOCUMENTS

D. 220,221	3/1971	Yamamoto .	
D. 224,574	8/1972	Yamamoto	D15/69
D. 226,035	1/1973	Yamamoto	D15/69
3,150,623	9/1964	Dreyfuss .	
3,570,430	3/1971	Fresard	112/258
3,954,073	5/1976	Varin	112/259
3,995,573	12/1976	Nishigami et al.	112/258
4,044,700	8/1977	Aeschliman	112/258 X

FOREIGN PATENT DOCUMENTS

52-81343 6/1977 Japan .

OTHER PUBLICATIONS

Wards, Spring & Summer, 1980, p. 902, Sewing Machine, Item No. 2, top right of page.

Primary Examiner—Bernard Ansher

Assistant Examiner—Carmen H. Vales

Attorney, Agent, or Firm—William V. Ebs; Robert E. Smith; Edward L. Bell

[57] CLAIM

The ornamental design for a combined sewing machine

and work support extension, substantially as shown and described.

DESCRIPTION

FIG. 1 is a front perspective view of a combined sewing machine and work support extension showing our new design with the work support extension removed for convenience of illustration;

FIG. 2 is a front perspective view of the work support extension, the sewing machine having been removed for convenience of illustration;

FIG. 3 is a top plan view of the combined sewing machine and work support extension;

FIG. 4 is a front elevational view thereof;

FIG. 5 is a rear elevational view thereof;

FIG. 6 is a bottom view thereof;

FIG. 7 is a left end elevational view thereof;

FIG. 8 is a right end elevational view thereof;

FIG. 9 is similar to FIG. 3 with the work support extension removed;

FIG. 10 is similar to FIG. 4 with the work support extension removed;

FIG. 11 is similar to FIG. 5 with the work support extension removed;

FIG. 12 is similar to FIG. 6 with the work support extension removed;

FIG. 13 is similar to FIG. 7 with the work support extension removed;

FIG. 14 is similar to FIG. 8 with the work support extension removed;

FIG. 15 is a top plan view of the work supporting extension apart from the sewing machine;

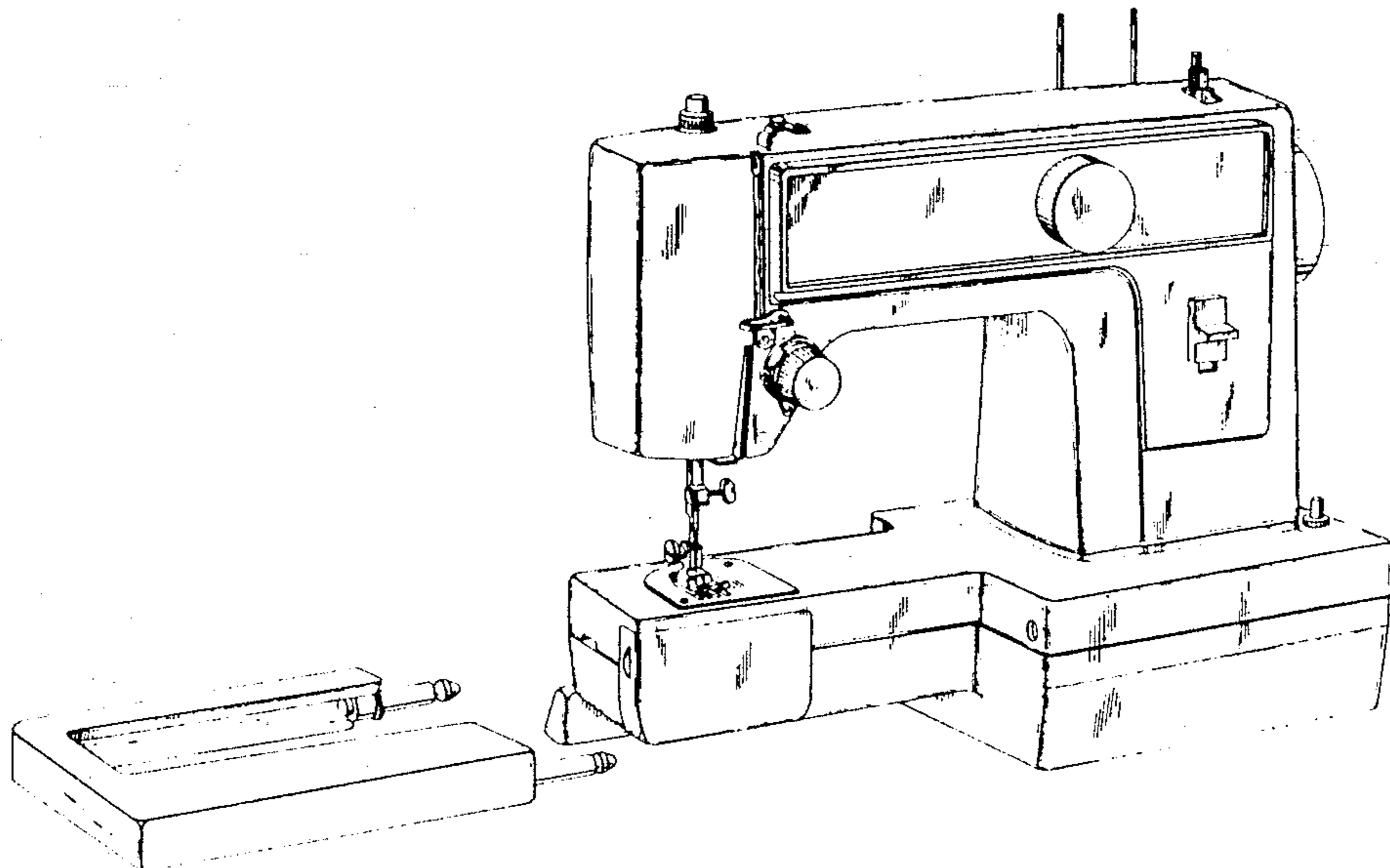
FIG. 16 is a left end view of the work supporting extension apart from the sewing machine;

FIG. 17 is a right end view of the work support extension apart from the sewing machine;

FIG. 18 is a front elevational view of the work support extension apart from the sewing machine;

FIG. 19 is a bottom plan view of the work support extension apart from the sewing machine; and

FIG. 20 is a rear elevational view of the work support extension apart from the sewing machine.



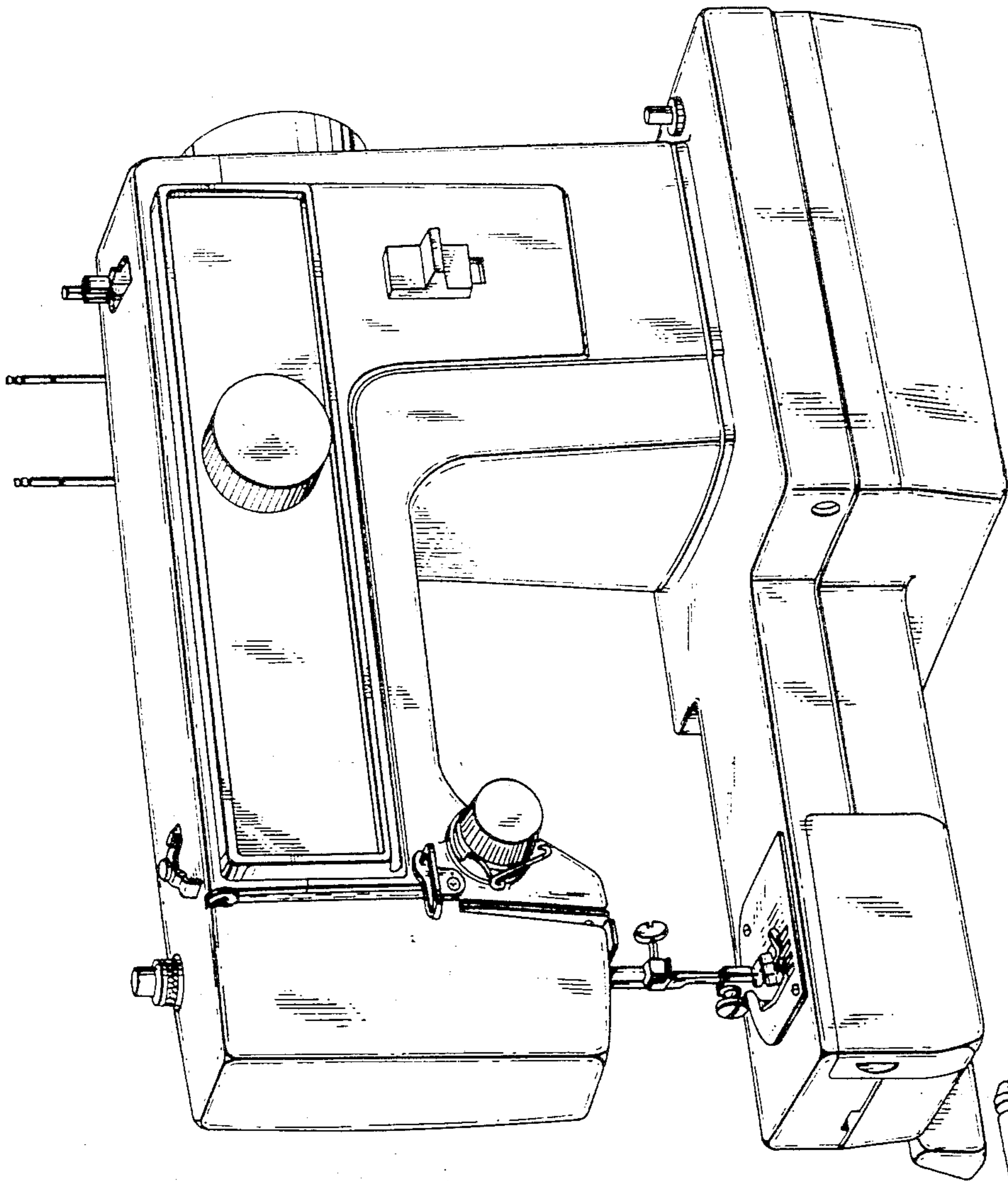


Fig. 1

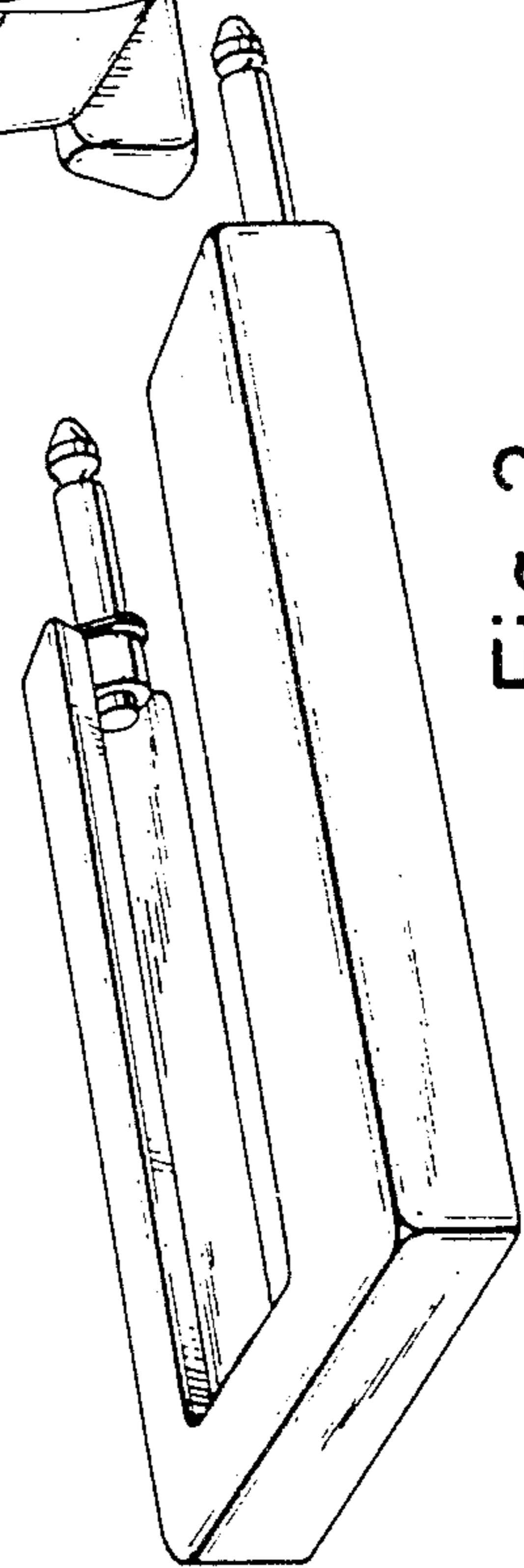


Fig. 2

Fig. 3

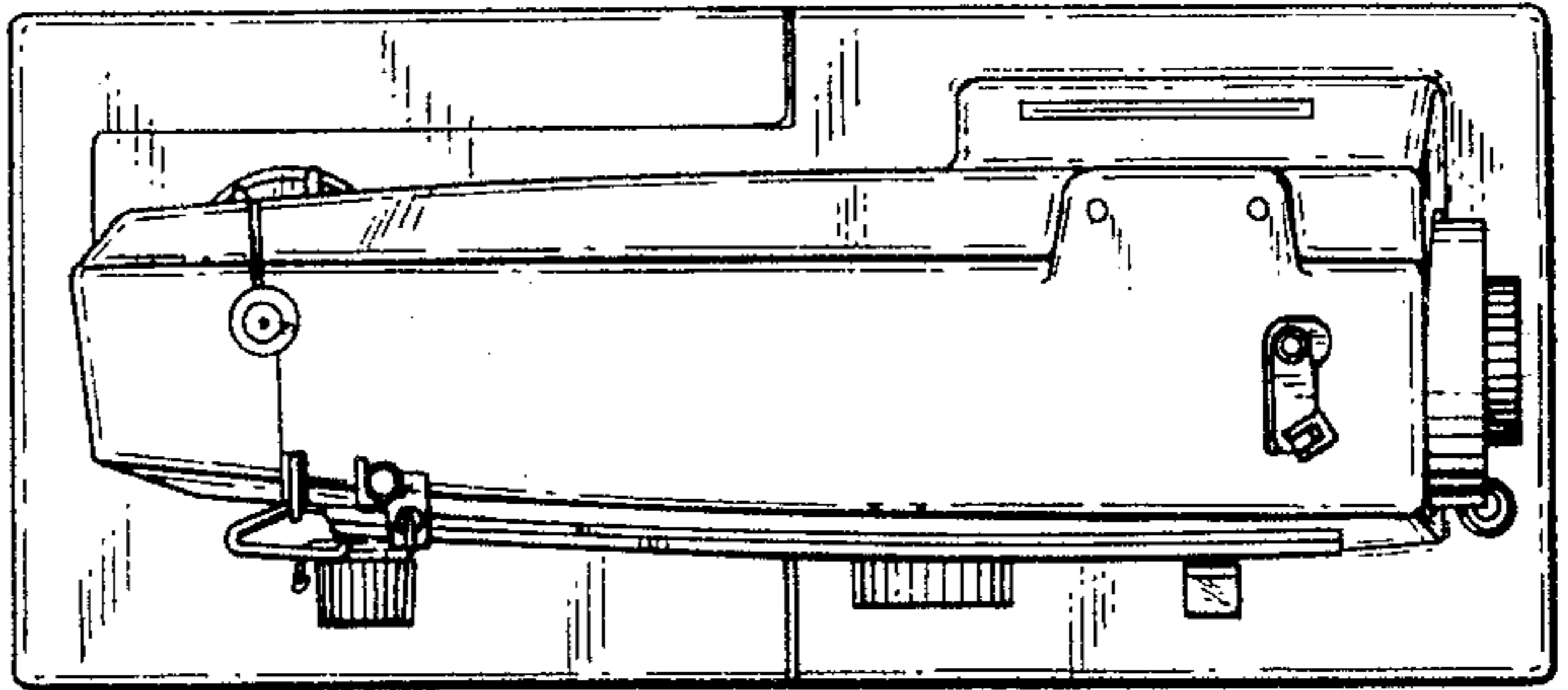


Fig. 7

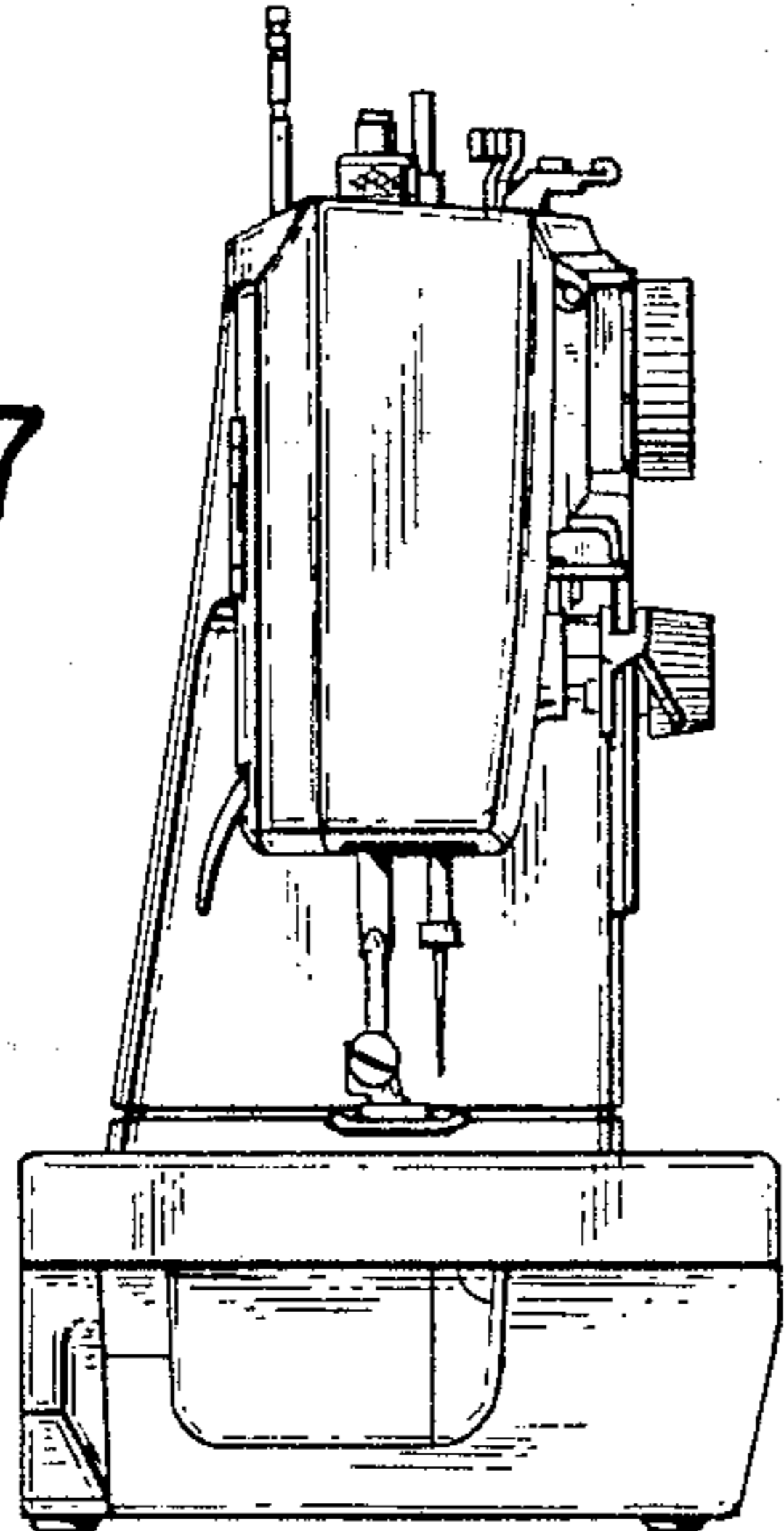


Fig. 4

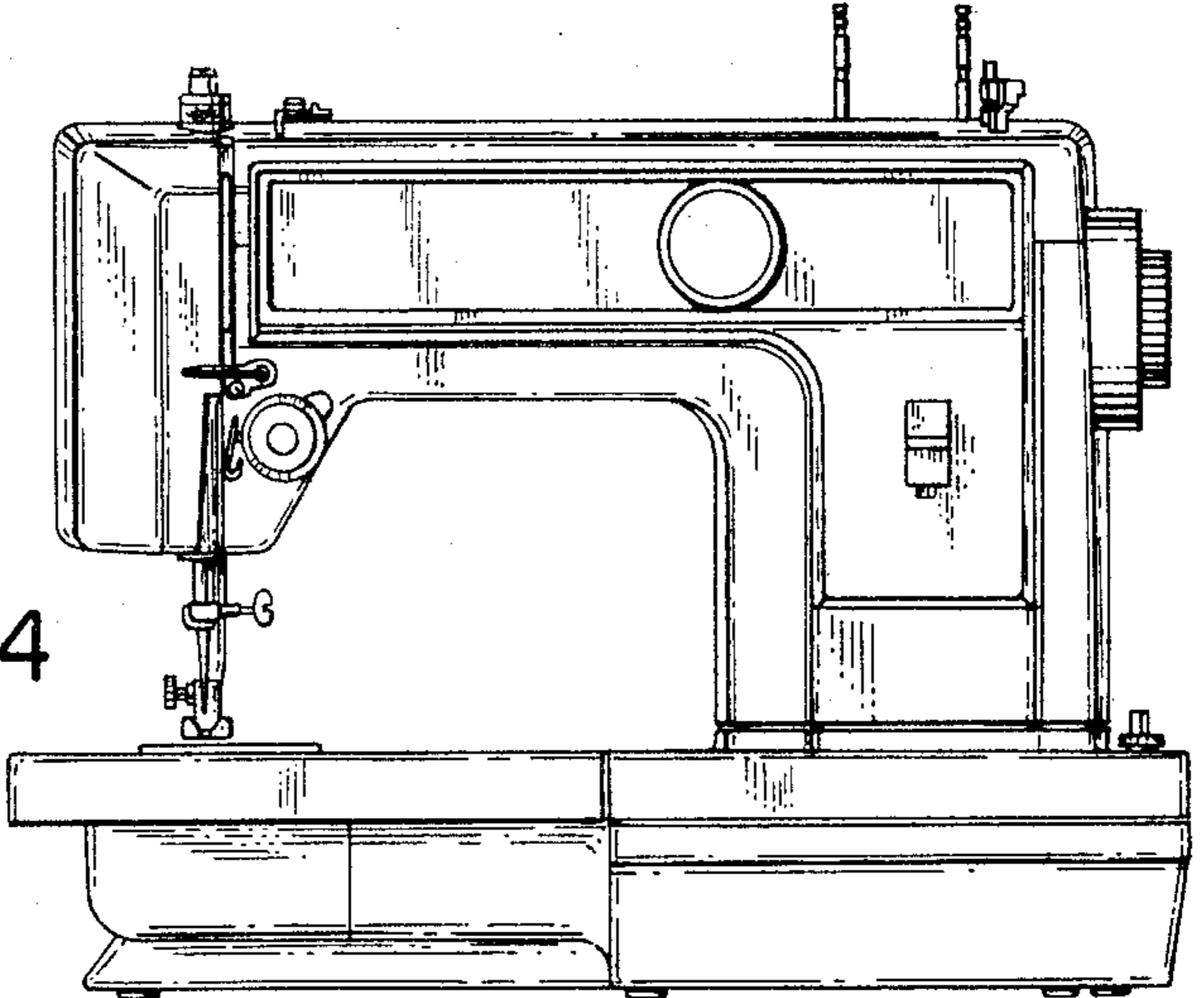


Fig. 8

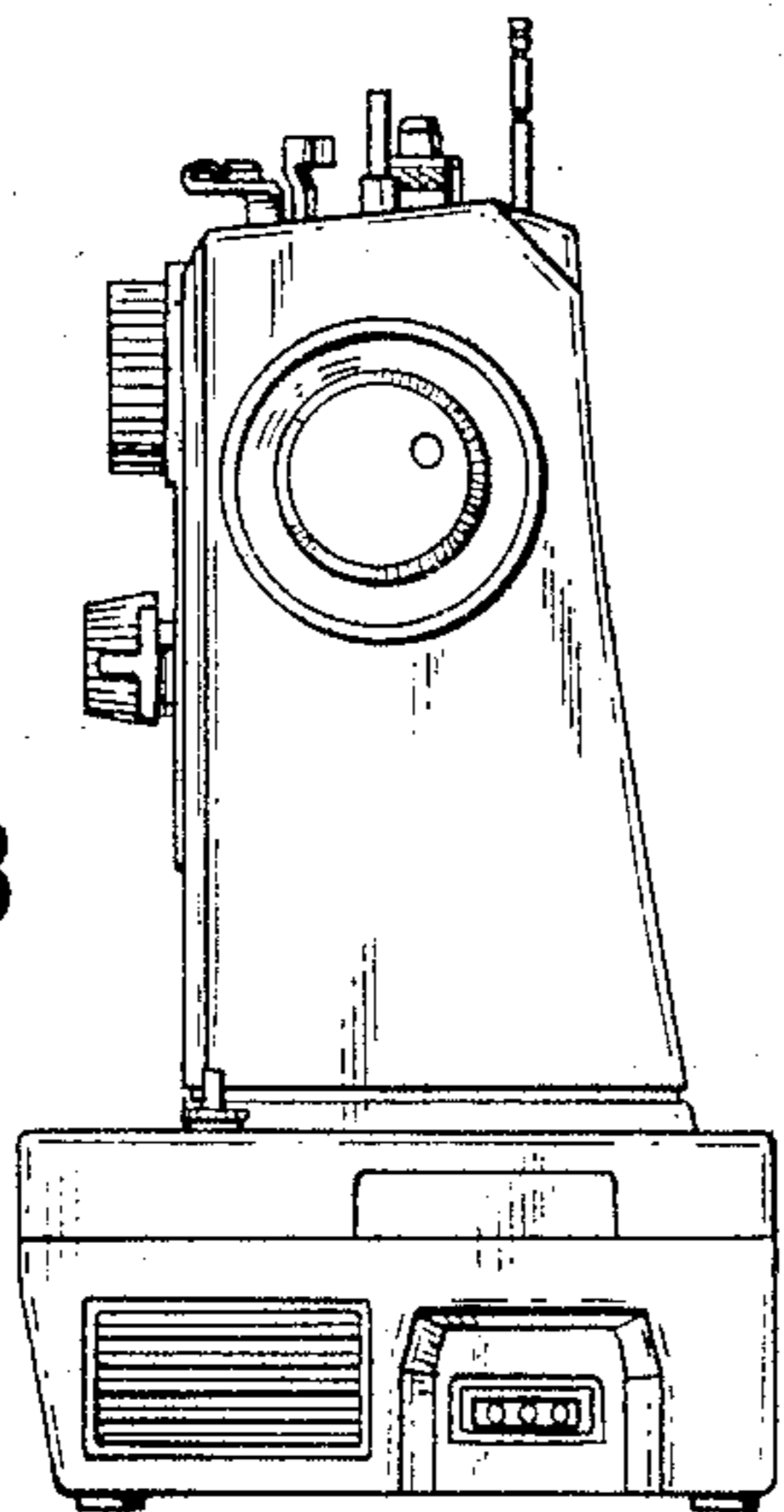


Fig. 5

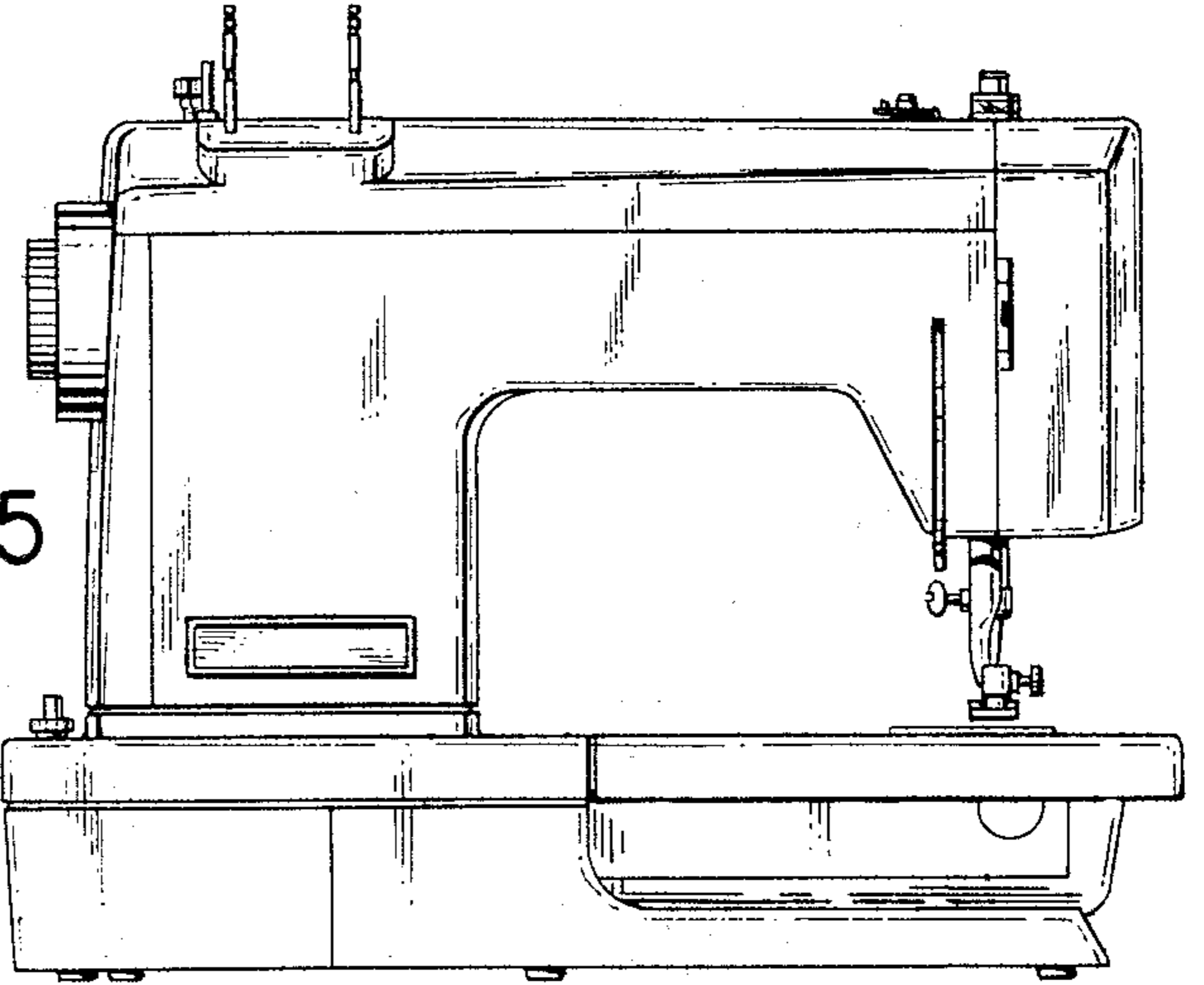


Fig. 6

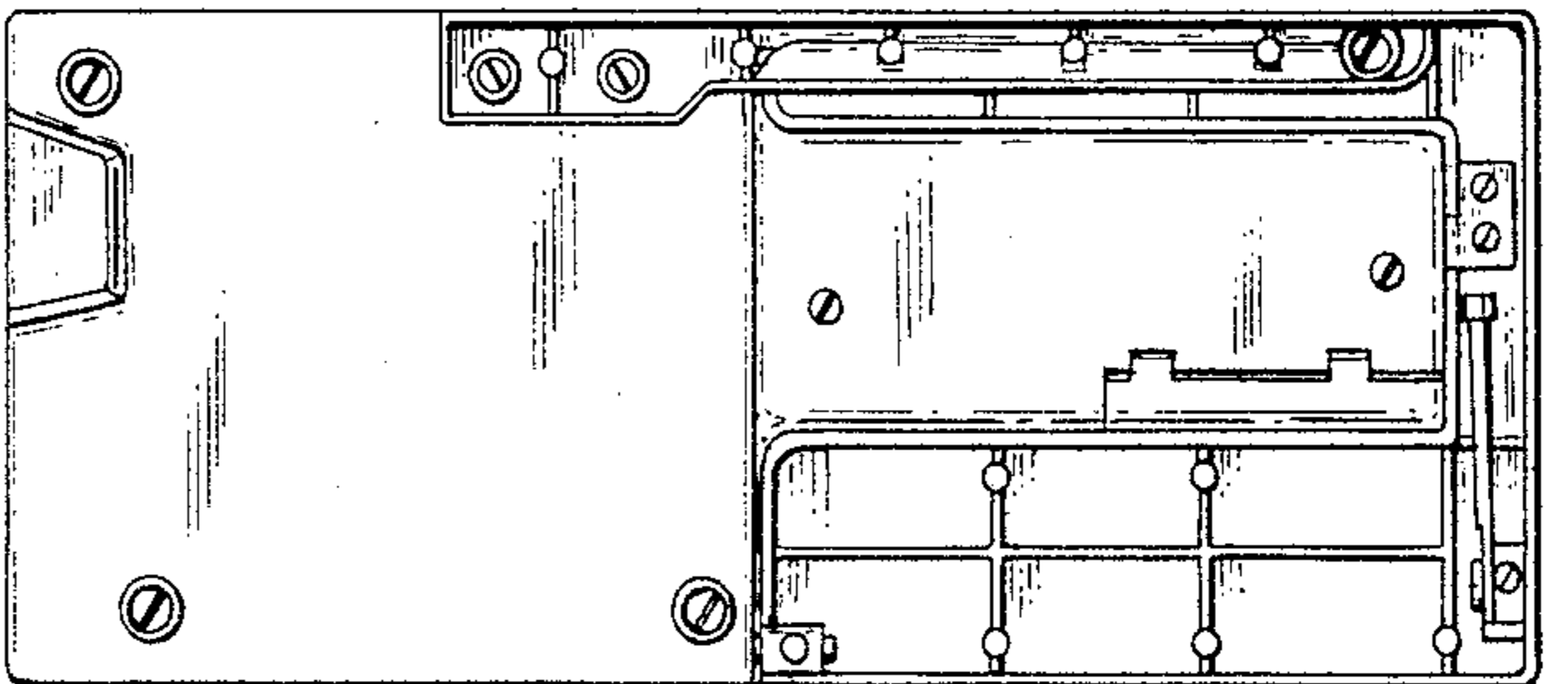


Fig. 9

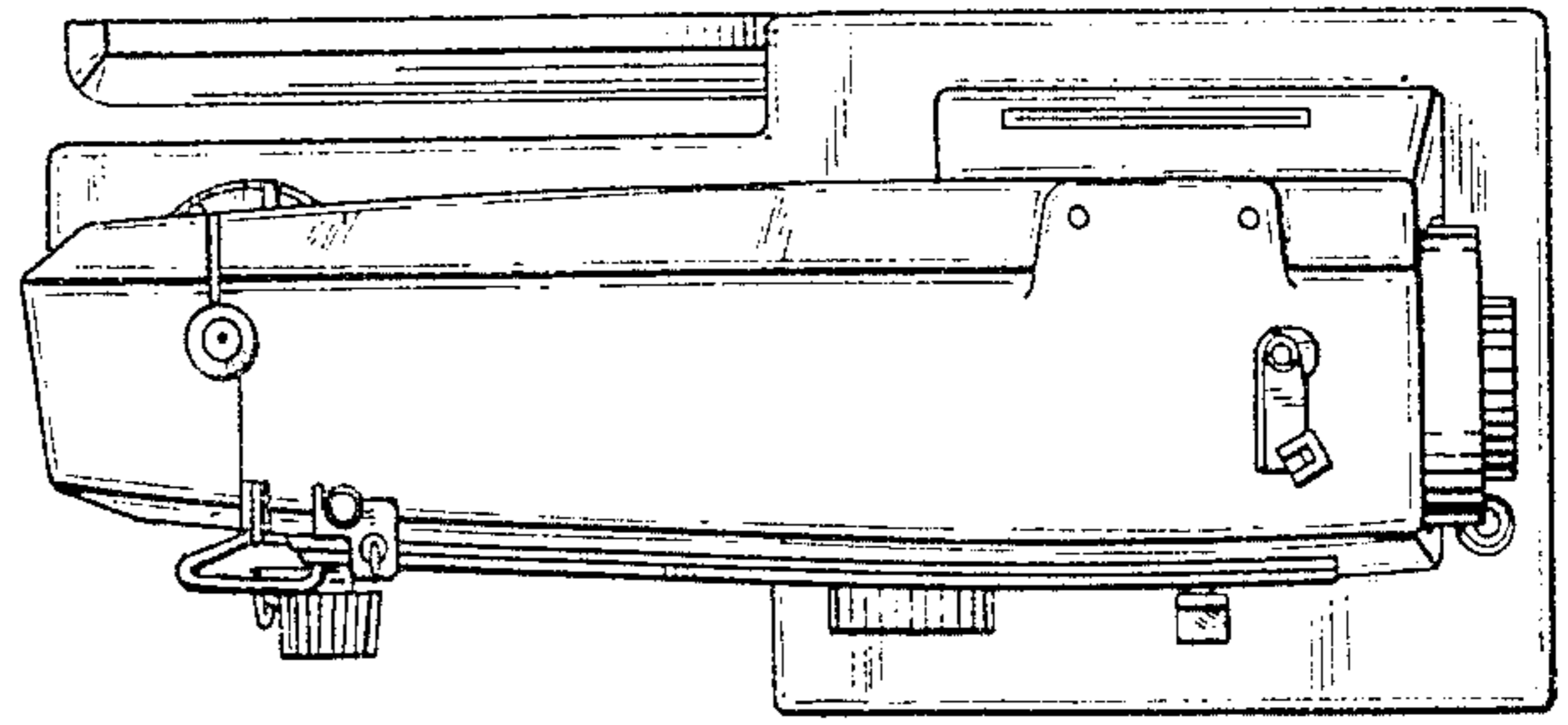


Fig. 13

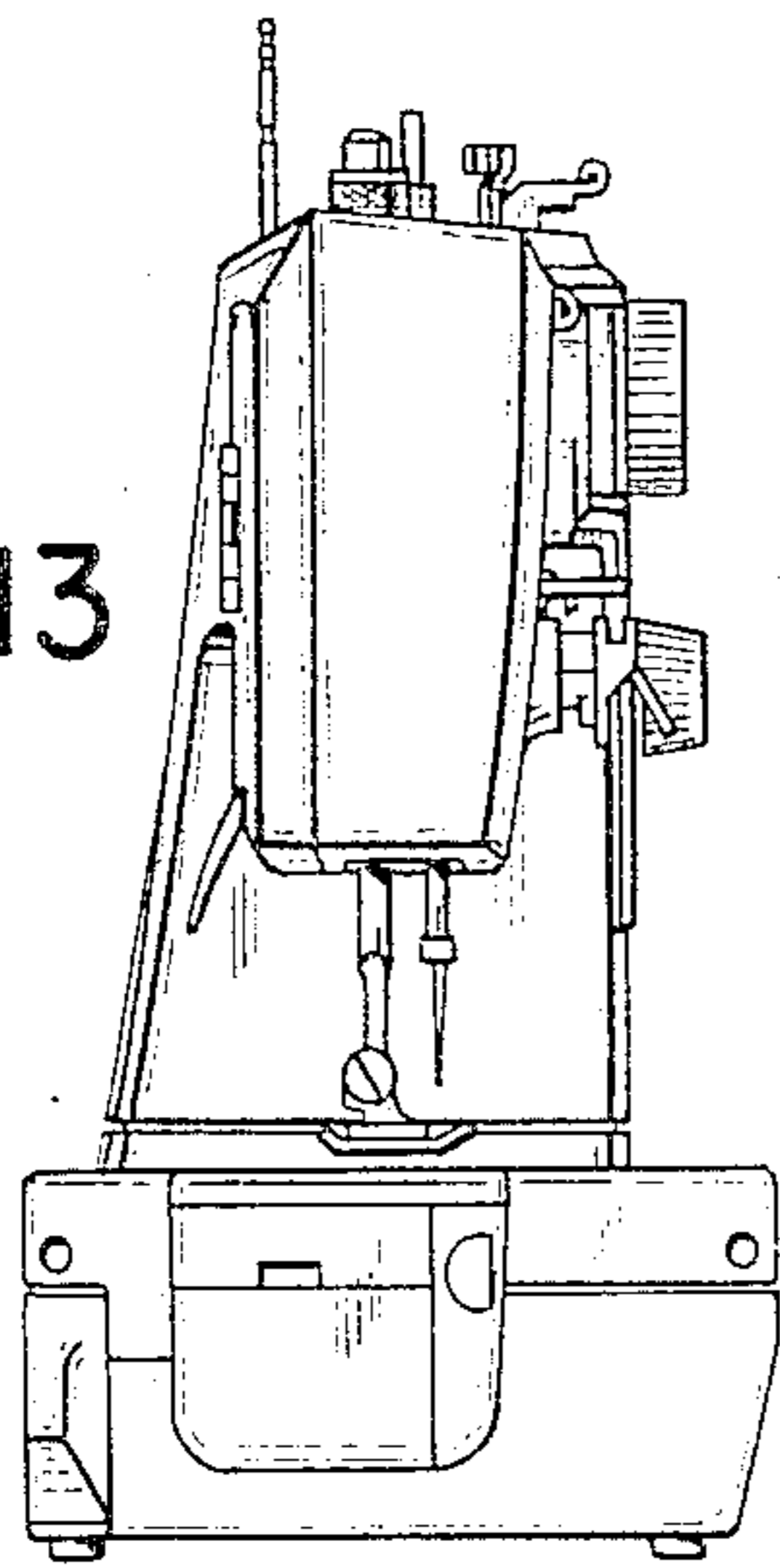


Fig. 10

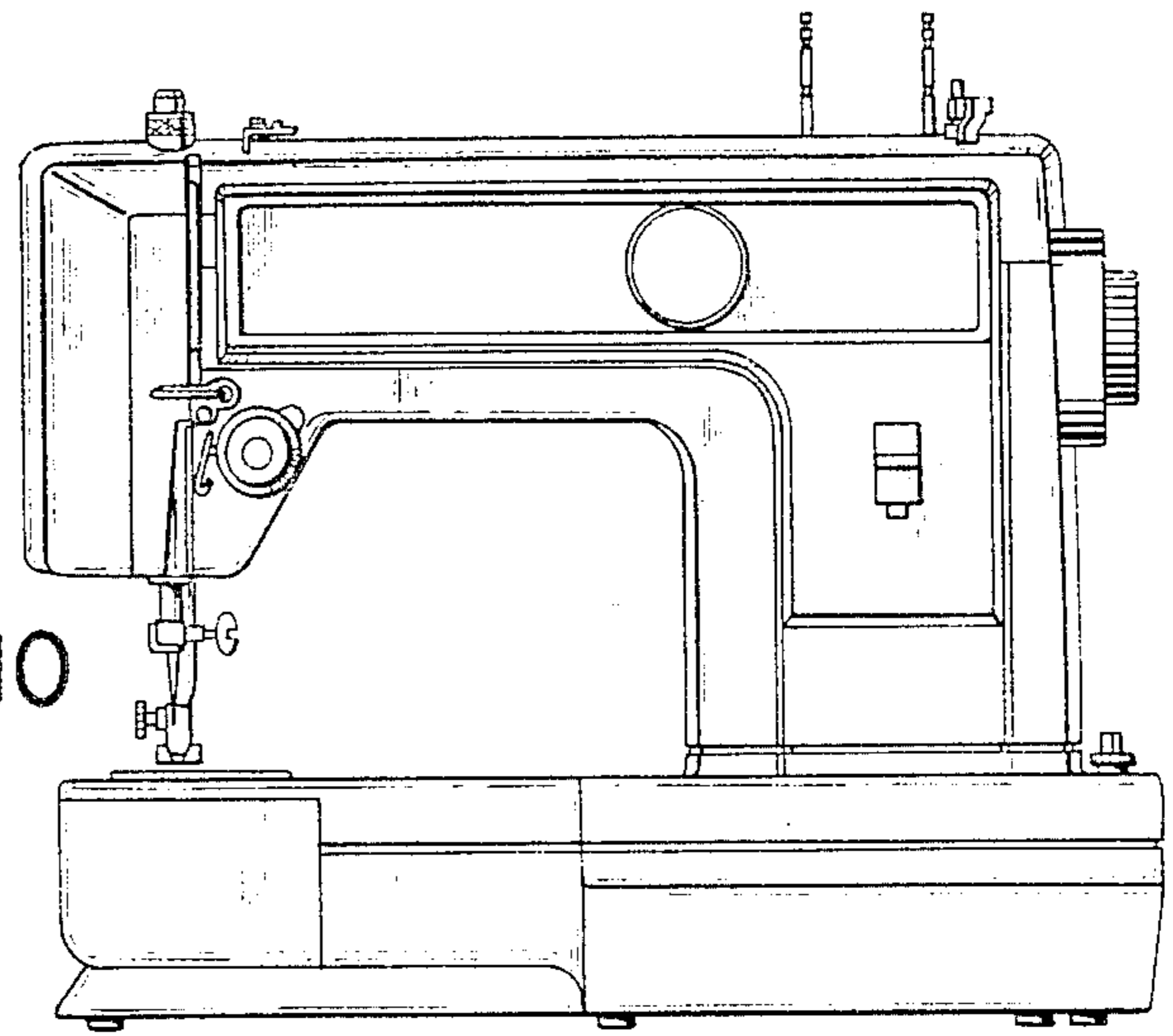


Fig. 14

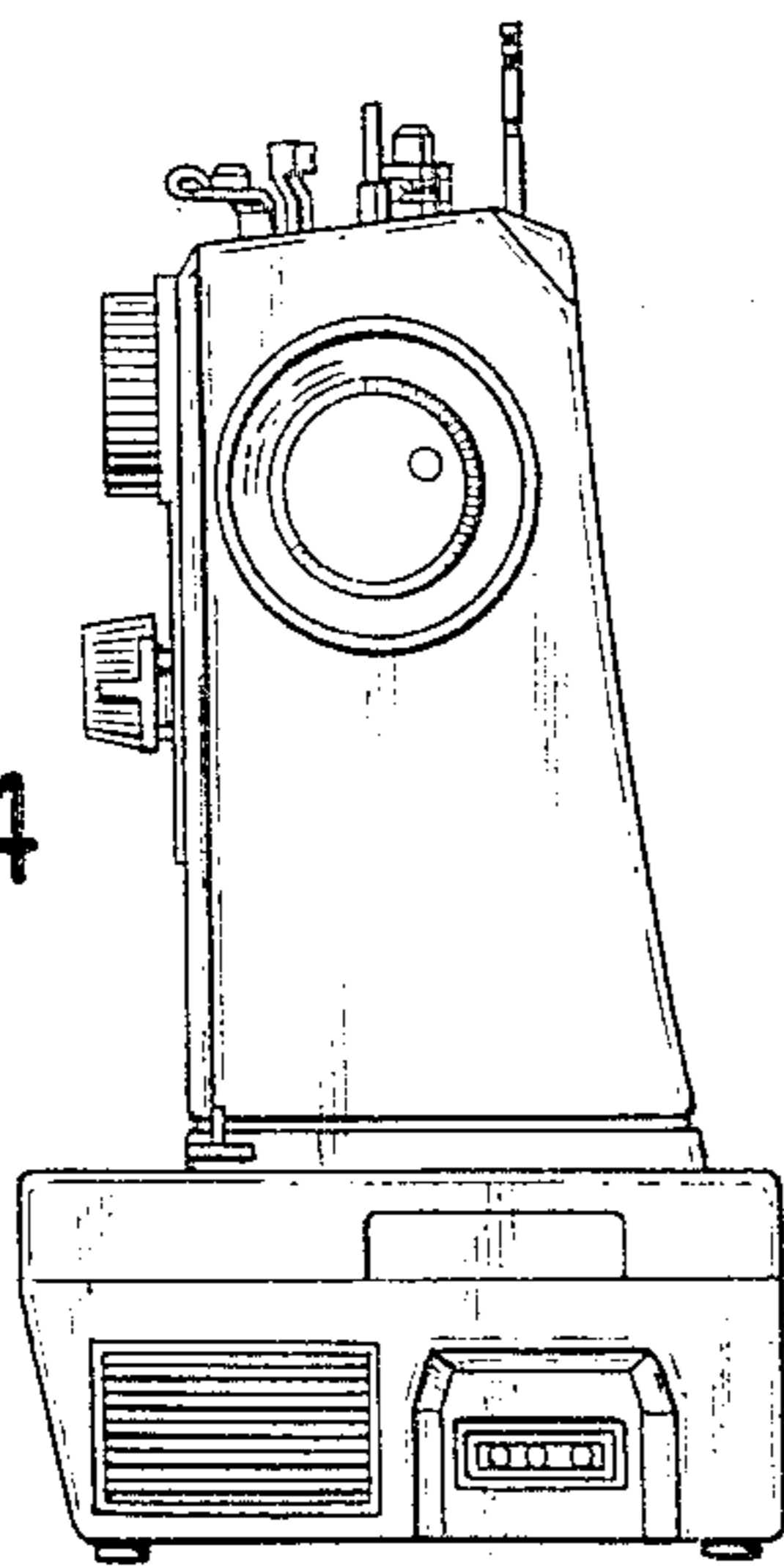


Fig. 11

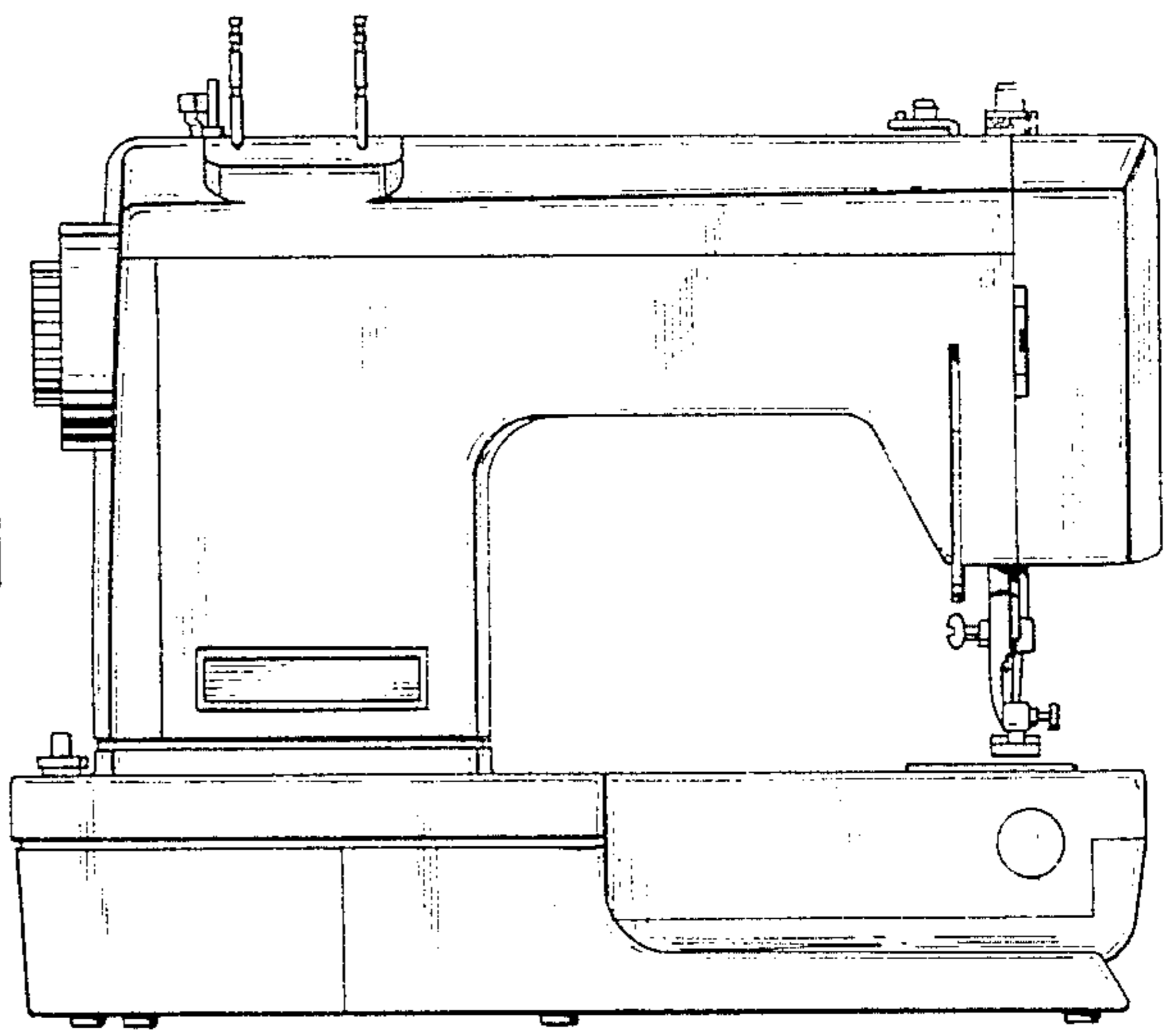
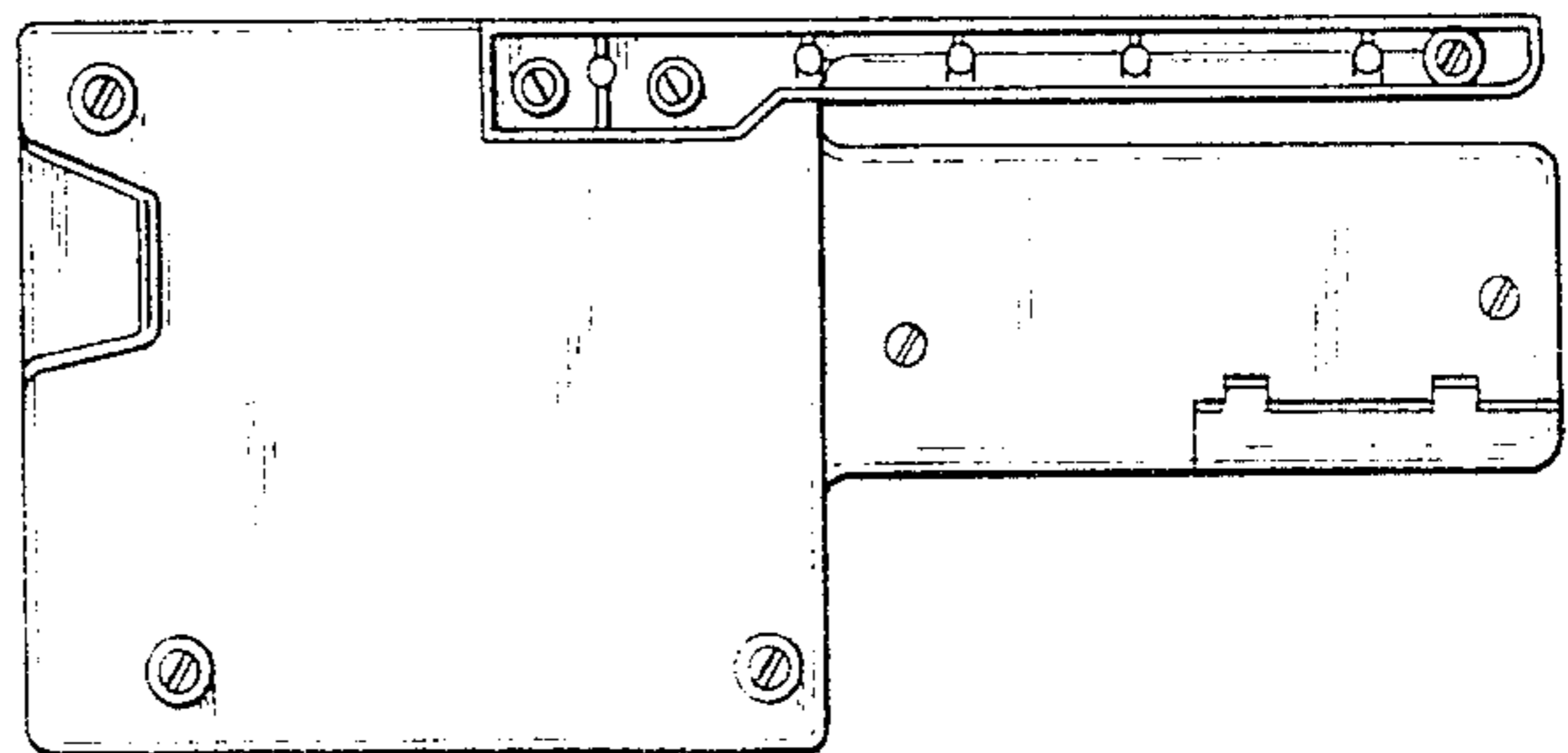


Fig. 12



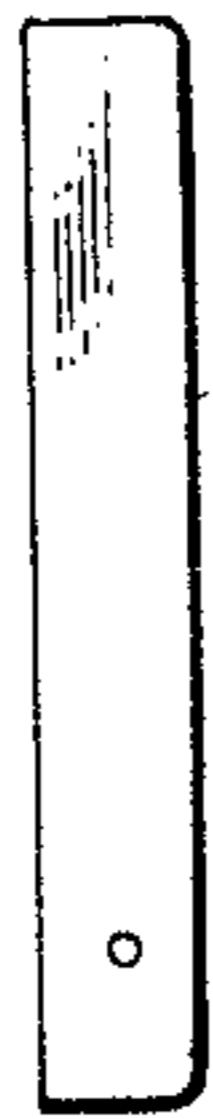


Fig. 16

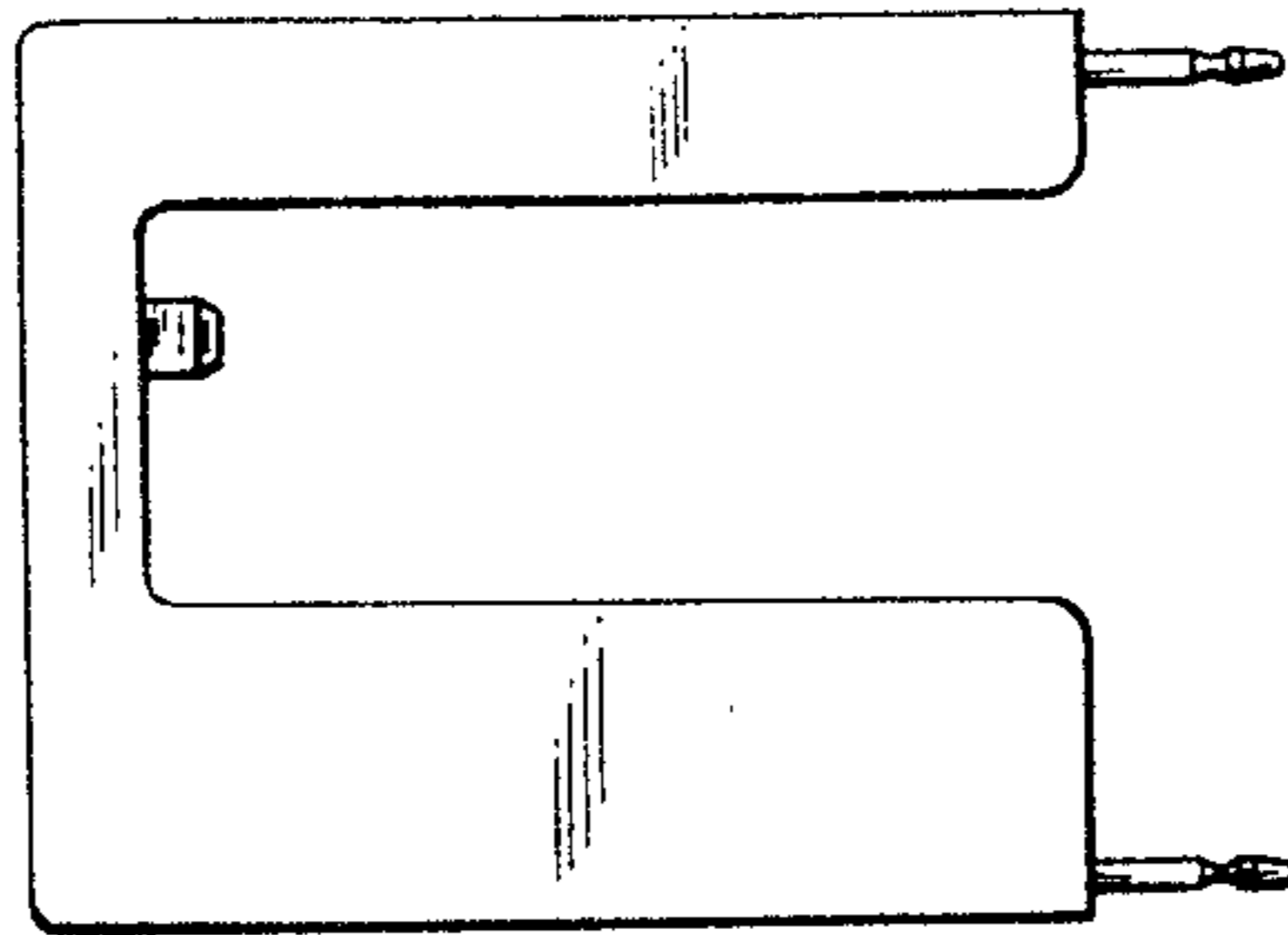


Fig. 15



Fig. 17



Fig. 18

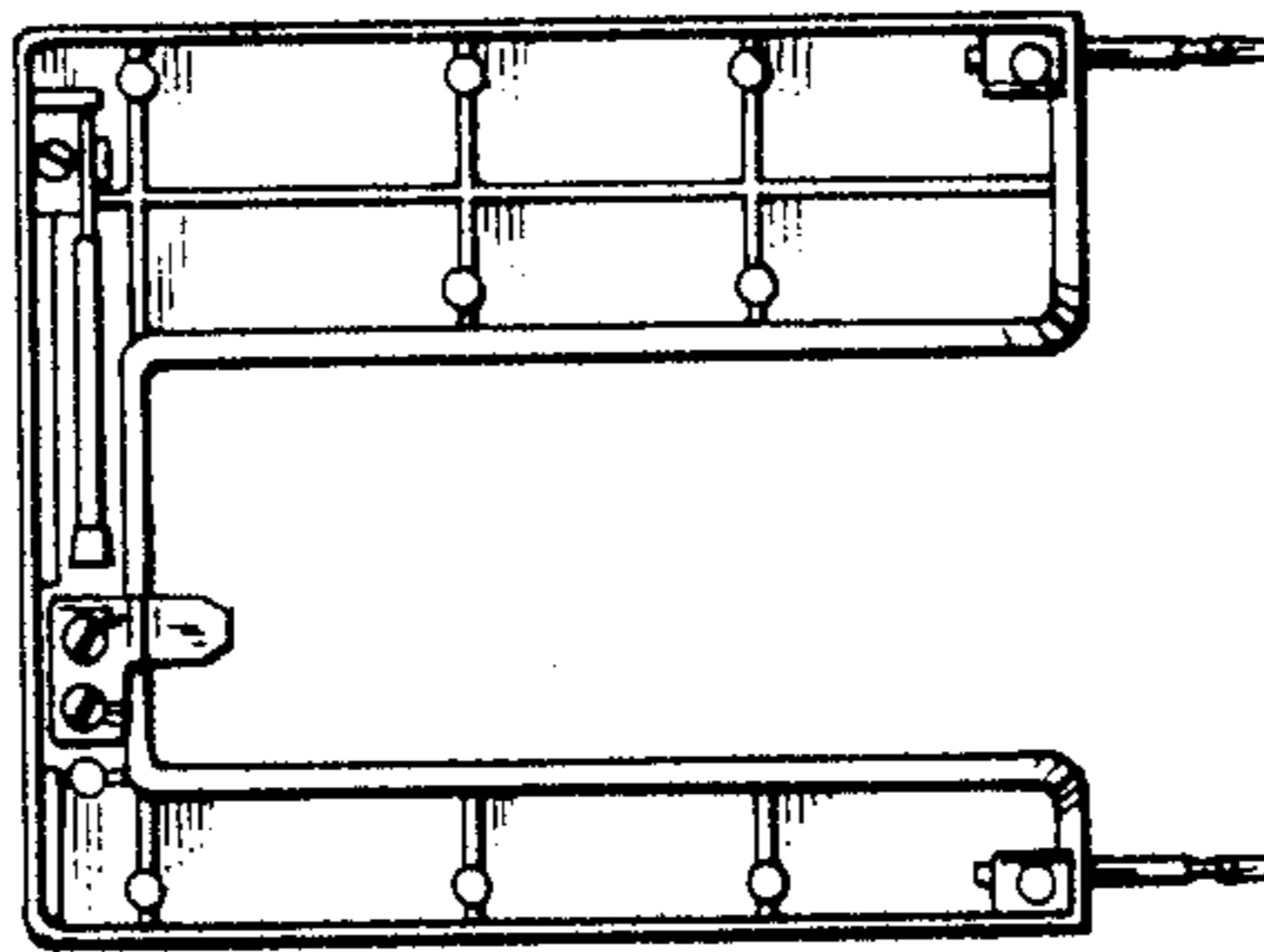


Fig. 19



Fig. 20