

[54] BEAN CUTTER FOR ATTACHMENT TO AN AGRICULTURAL IMPLEMENT

Primary Examiner—Melvin B. Feifer  
Attorney, Agent, or Firm—John E. Benoit

[76] Inventor: John P. Pickett, Murtaugh, Id.

[57] CLAIM

[\*\*] Term: 14 Years

The ornamental design for attachment to an agricultural implement bean cutter, as shown and described.

[21] Appl. No.: 318,543

DESCRIPTION

[22] Filed: Nov. 5, 1981

[52] U.S. Cl. .... D15/28

[58] Field of Search ..... D7/106, 101, 99, 381;  
D15/28, 11; 56/229, 289

FIG. 1 is a front view of a right hand bean cutter for attachment to an agricultural implement showing my new design;

[56] References Cited

U.S. PATENT DOCUMENTS

- D. 27,434 7/1897 Ball ..... D15/11
- 1,048,641 12/1912 Banschler ..... 56/229
- 1,103,595 7/1914 Lotter ..... 56/229

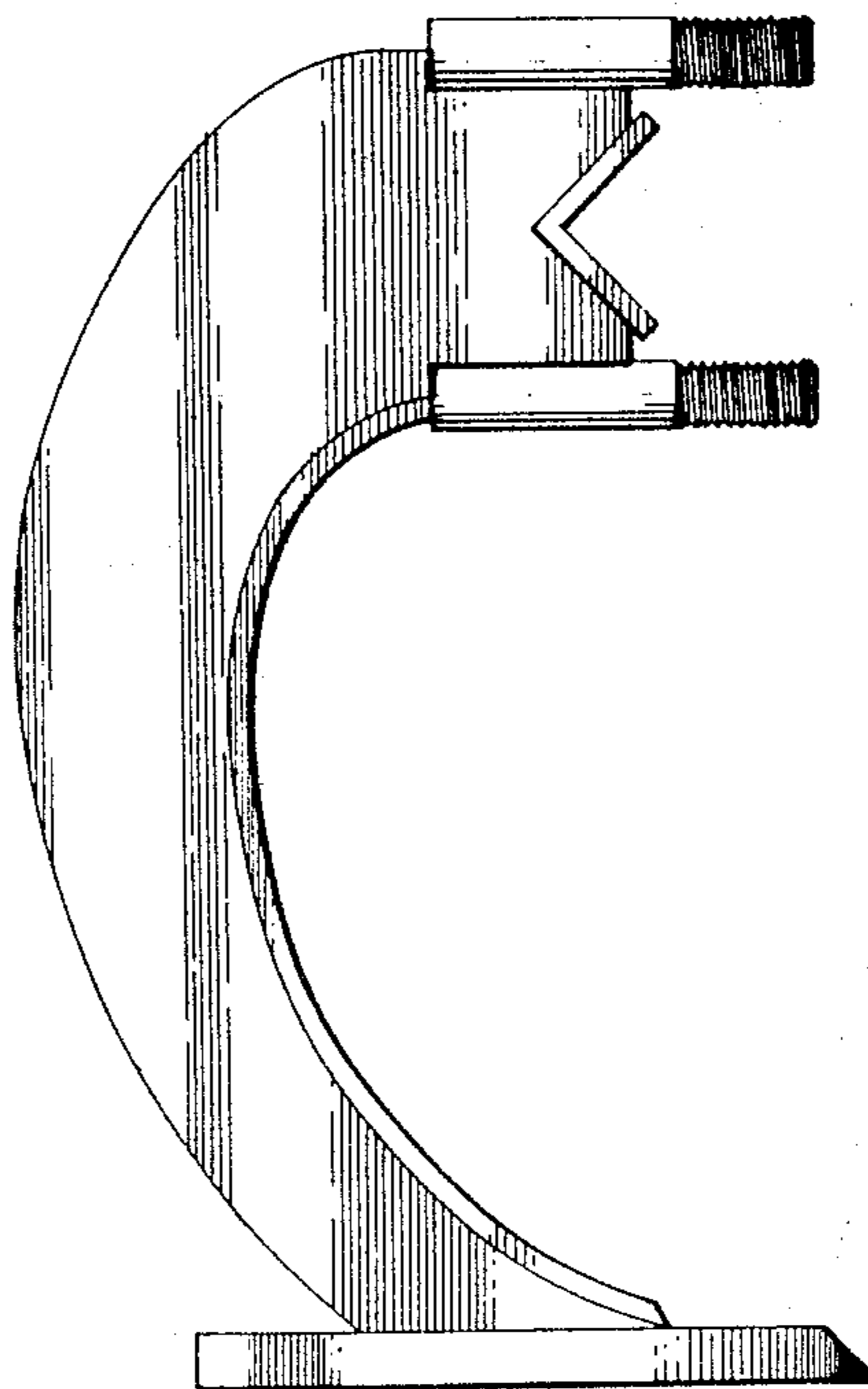
FIG. 2 is a rear view of the bean cutter of FIG. 1; FIG. 3 is a left side view of the bean cutter of FIG. 1, the right side being a mirror image of the left side;

FOREIGN PATENT DOCUMENTS

- 536922 12/1955 Italy ..... 56/289

FIG. 4 is a top view of the bean cutter of FIG. 1; FIG. 5 is a bottom view of the bean cutter of FIG. 1; and

FIG. 6 is a front view of a left hand bean cutter, said left hand bean cutter being a mirror image of said right hand bean cutter.



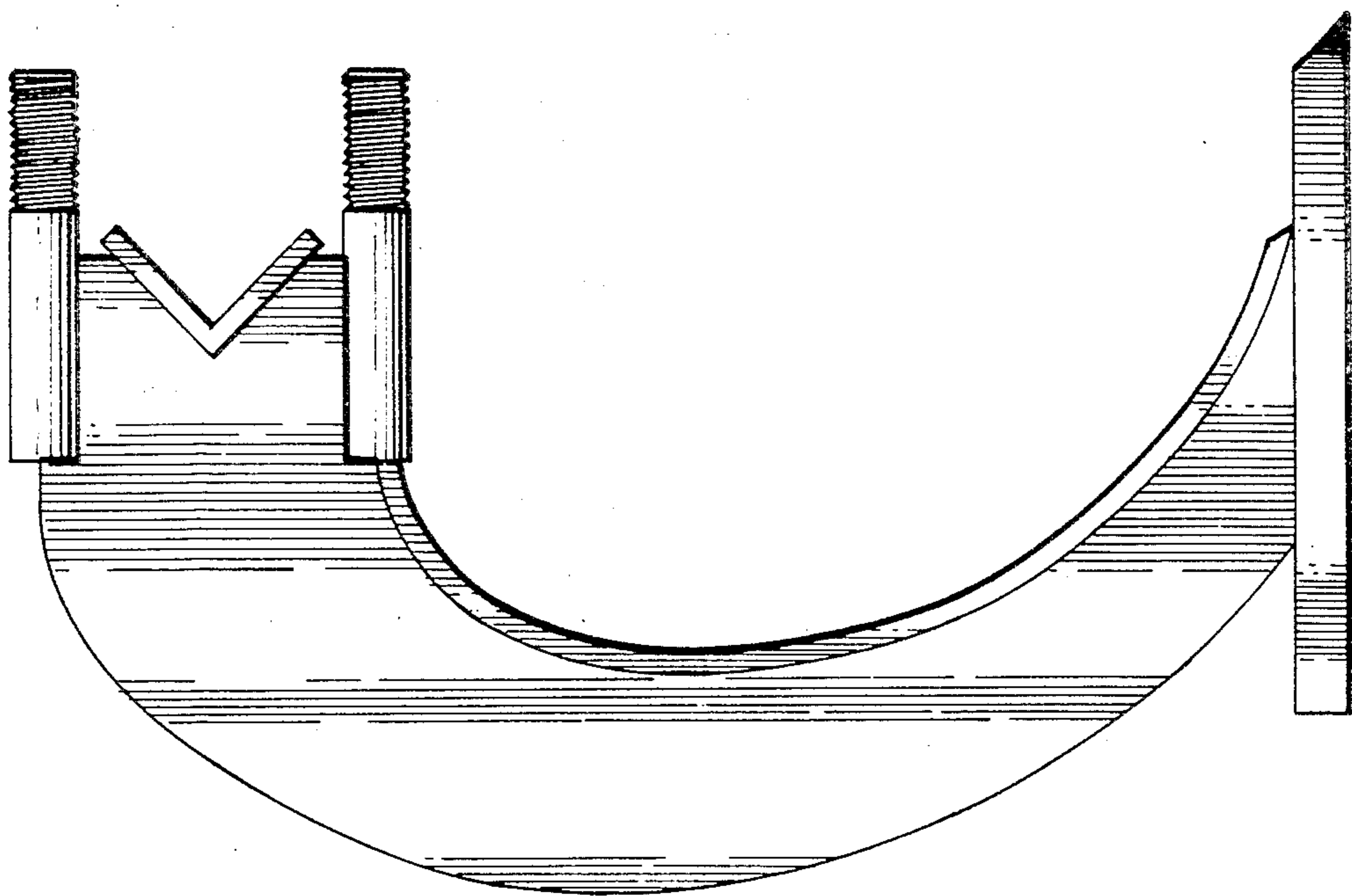


FIG. 1

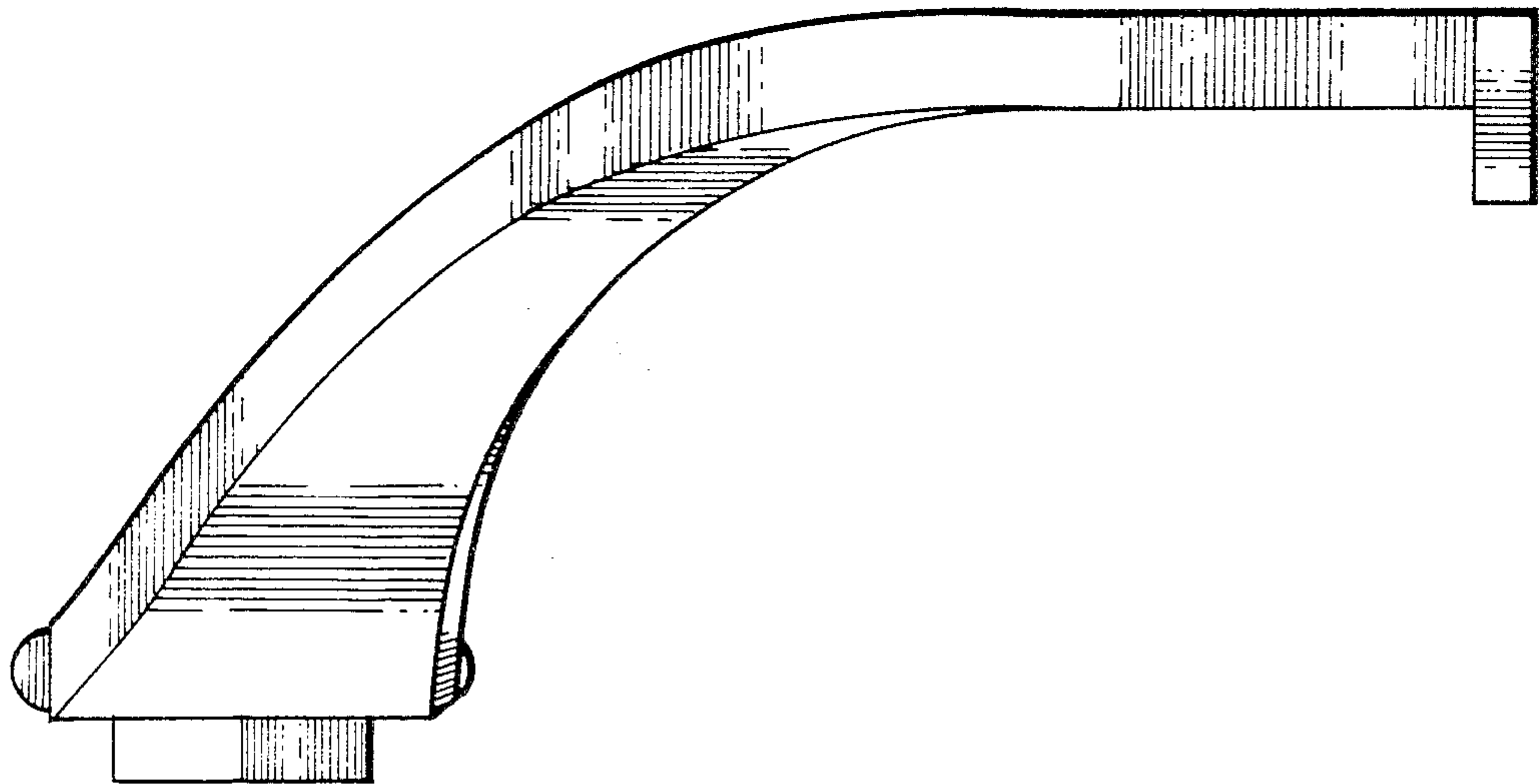


FIG. 2

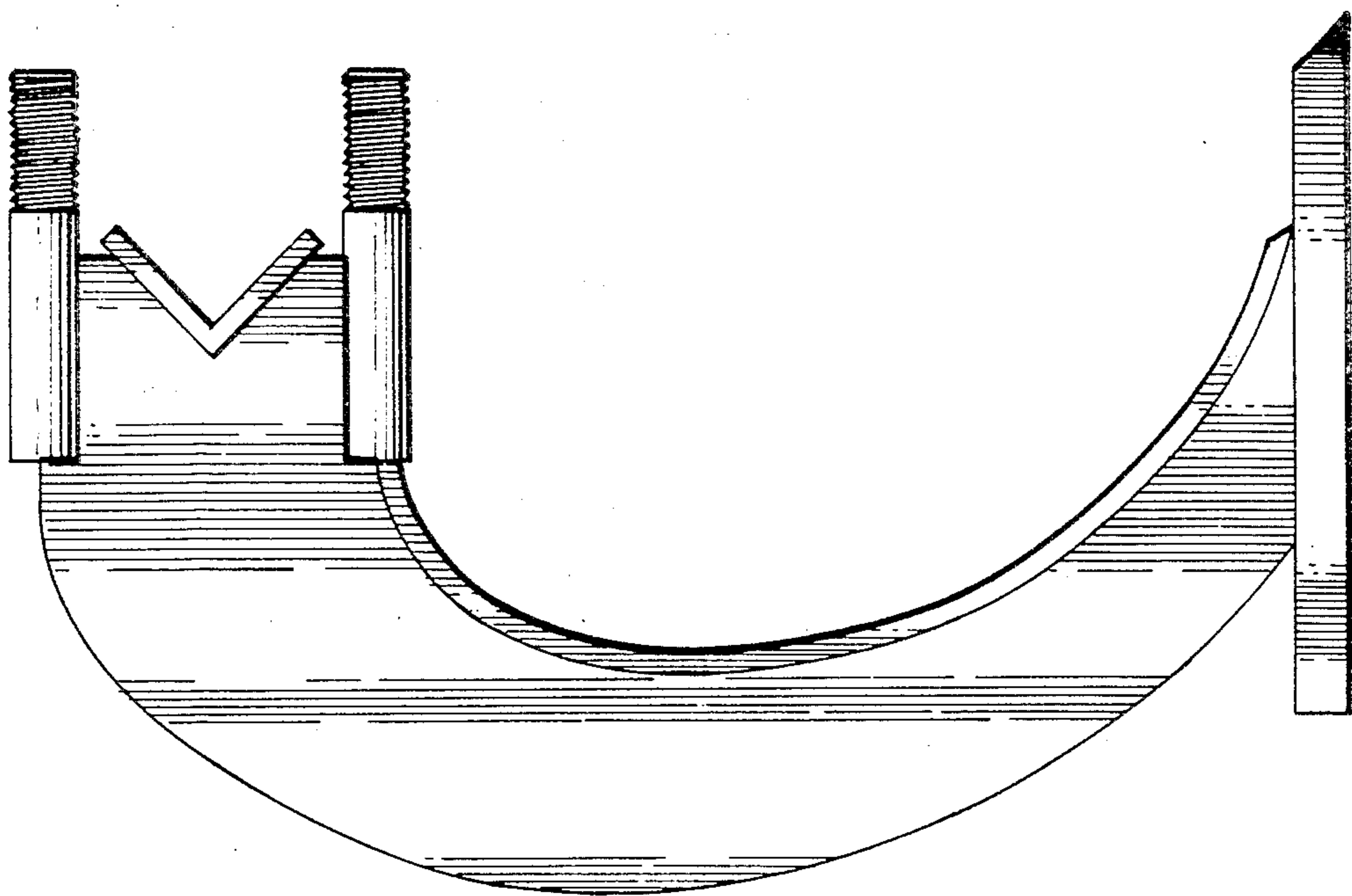


FIG. 3

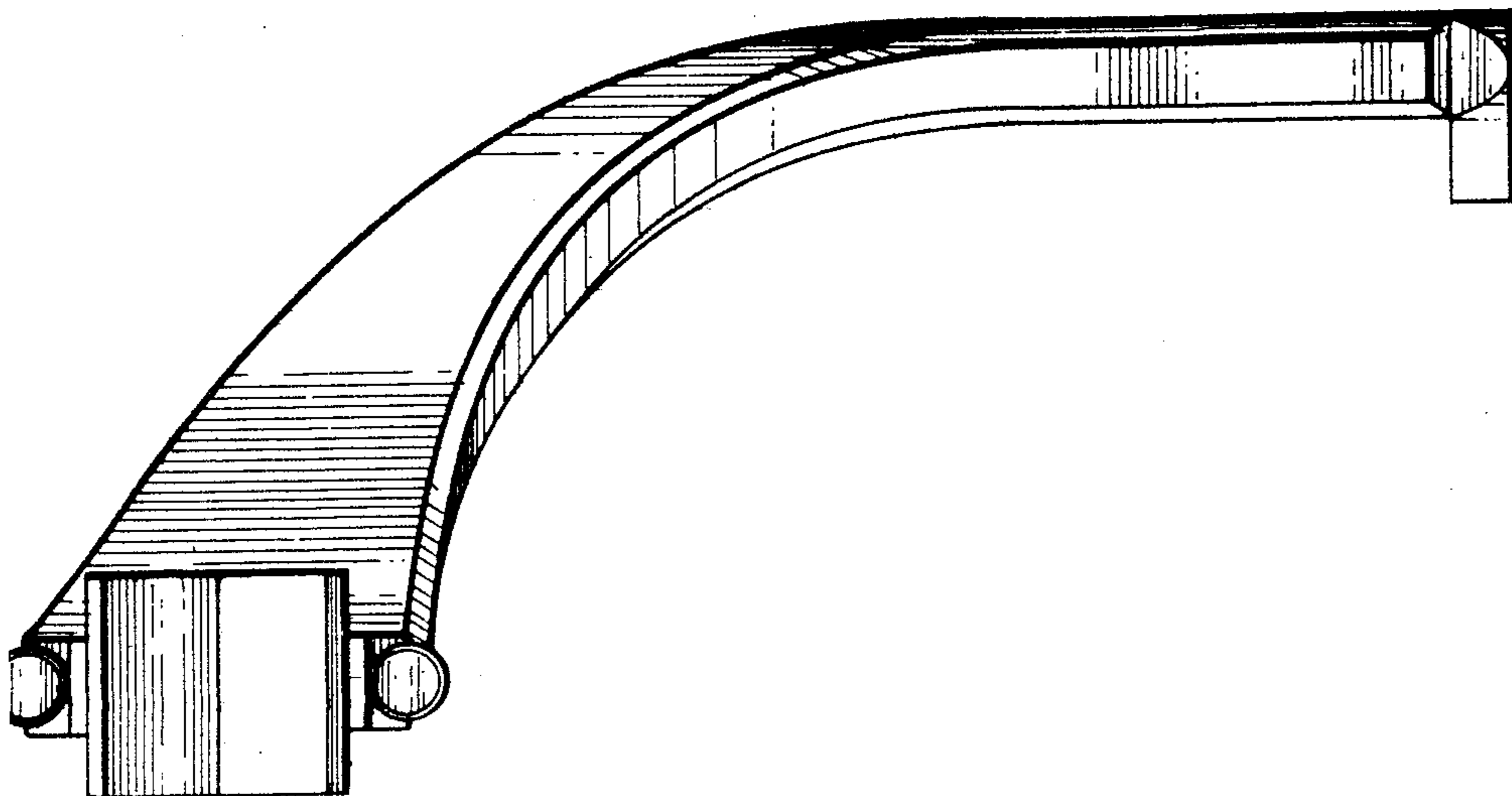


FIG. 6

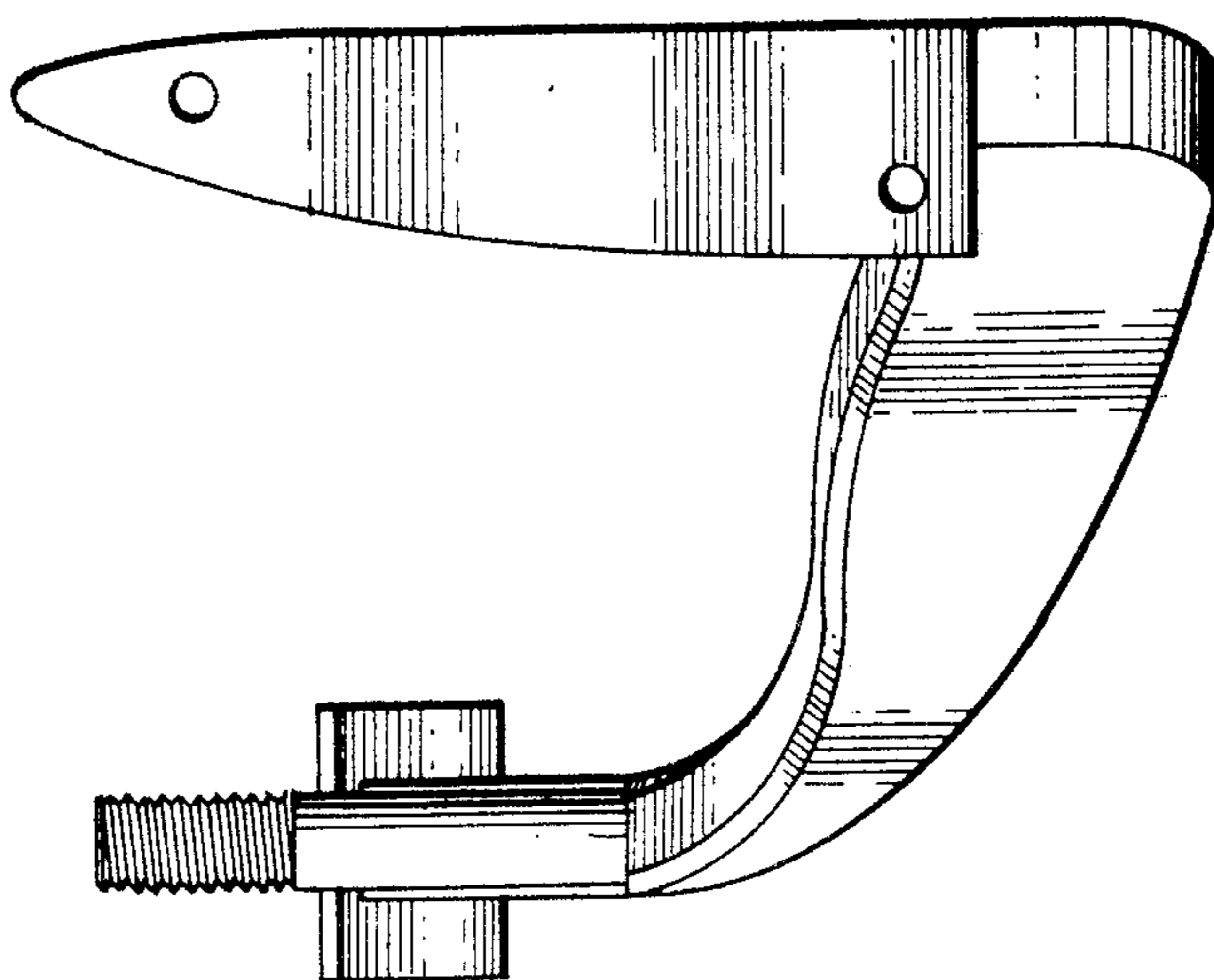


FIG. 5

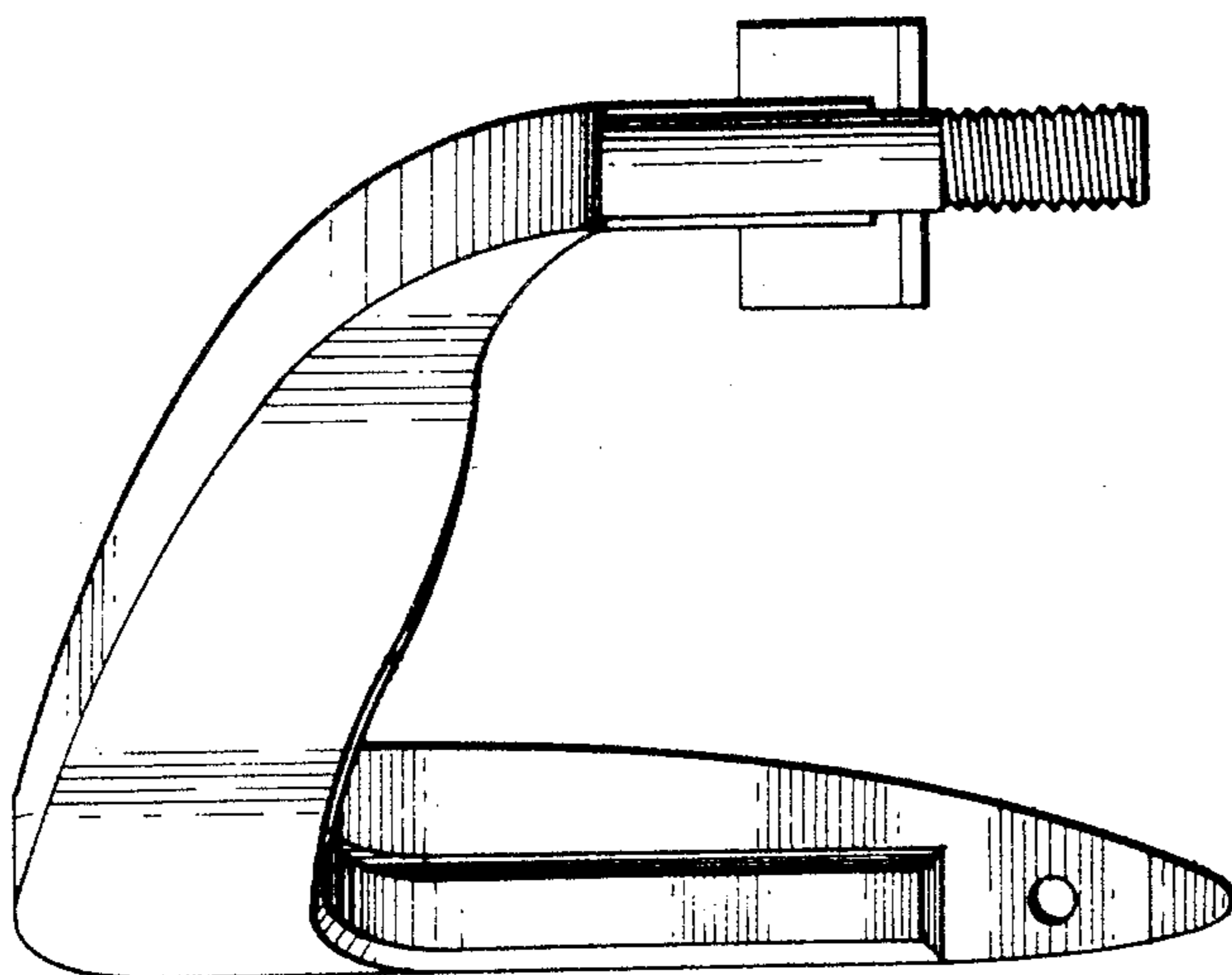


FIG. 4