

[54] VIDEO DISPLAY TERMINAL ADJUSTABLE SUPPORT

[75] Inventors: Harry J. McVicker, Pottstown, Pa.; Andrew J. Miller, Salt Lake City, Utah; Alvin J. Noker, Bountiful, Utah; Richard F. Saurer, Salt Lake City, Utah

[73] Assignee: Sperry Corporation, New York, N.Y.

[\*\*] Term: 14 Years

[21] Appl. No.: 283,253

[22] Filed: Jul. 14, 1981

[52] U.S. Cl. .... D14/114

[58] Field of Search ..... D14/100-114; 340/700, 711, 720; D6/85, 20, 26, 181, 194; 248/346, 349, 371, 395, 183, 663; 358/248, 249, 254

[56] References Cited

U.S. PATENT DOCUMENTS

- D. 253,594 12/1979 Antenbring ..... D14/114
- 3,740,011 6/1973 Dickson et al. .... 248/183
- 3,970,792 7/1976 Benham et al. .... 248/183 X

4,095,770 6/1978 Long ..... 248/371

Primary Examiner—Susan J. Lucas  
Attorney, Agent, or Firm—John B. Sowell; Thomas J. Scott; Marshall M. Truex

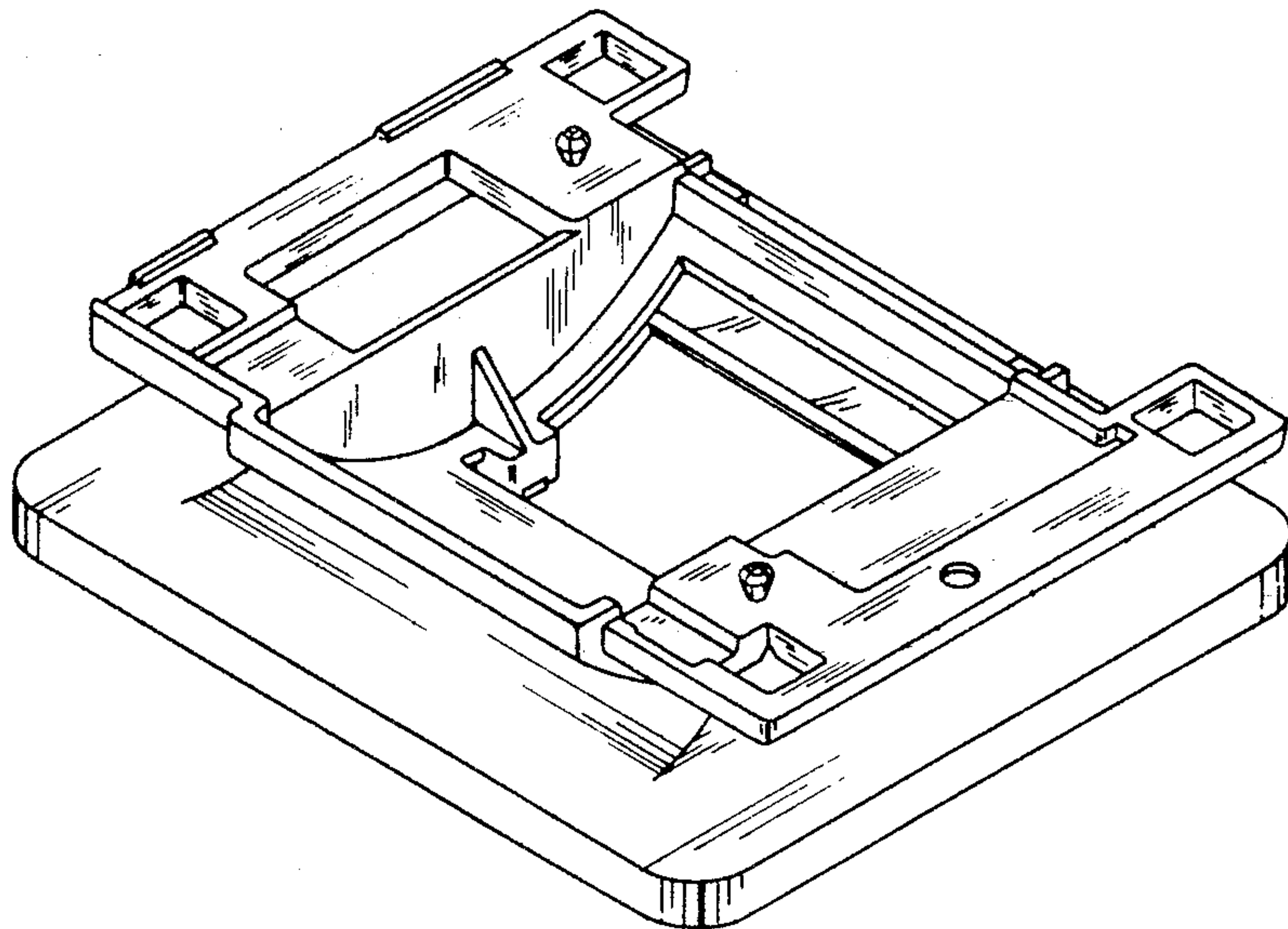
[57] CLAIM

The ornamental design for a video display terminal adjustable support, as shown and described.

DESCRIPTION

FIG. 1 is a front and right side isometric view of a video display terminal adjustable support showing our new design;  
 FIG. 2 is a top plan view thereof on an enlarged scale;  
 FIG. 3 is a right side elevational view thereof on an enlarged scale;  
 FIG. 4 is a left side elevational view thereof on an enlarged scale;  
 FIG. 5 is a rear elevational view thereof on an enlarged scale;  
 FIG. 6 is a front elevational view thereof on an enlarged scale; and  
 FIG. 7 is a bottom plan view thereof on an enlarged scale.

The characteristic features of our design reside in the sides, front and rear as seen in FIGS. 3 through 6.



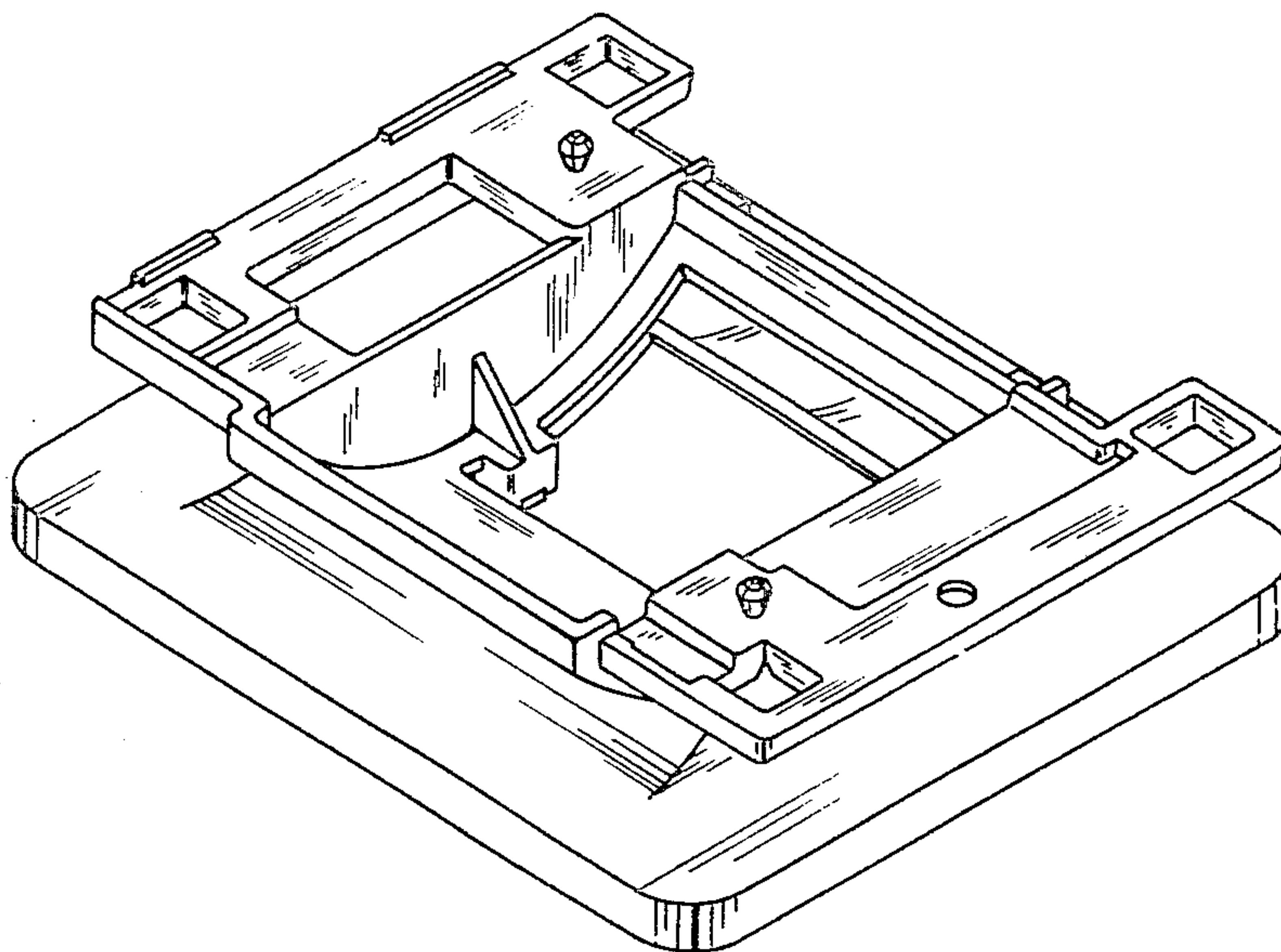


FIGURE 1

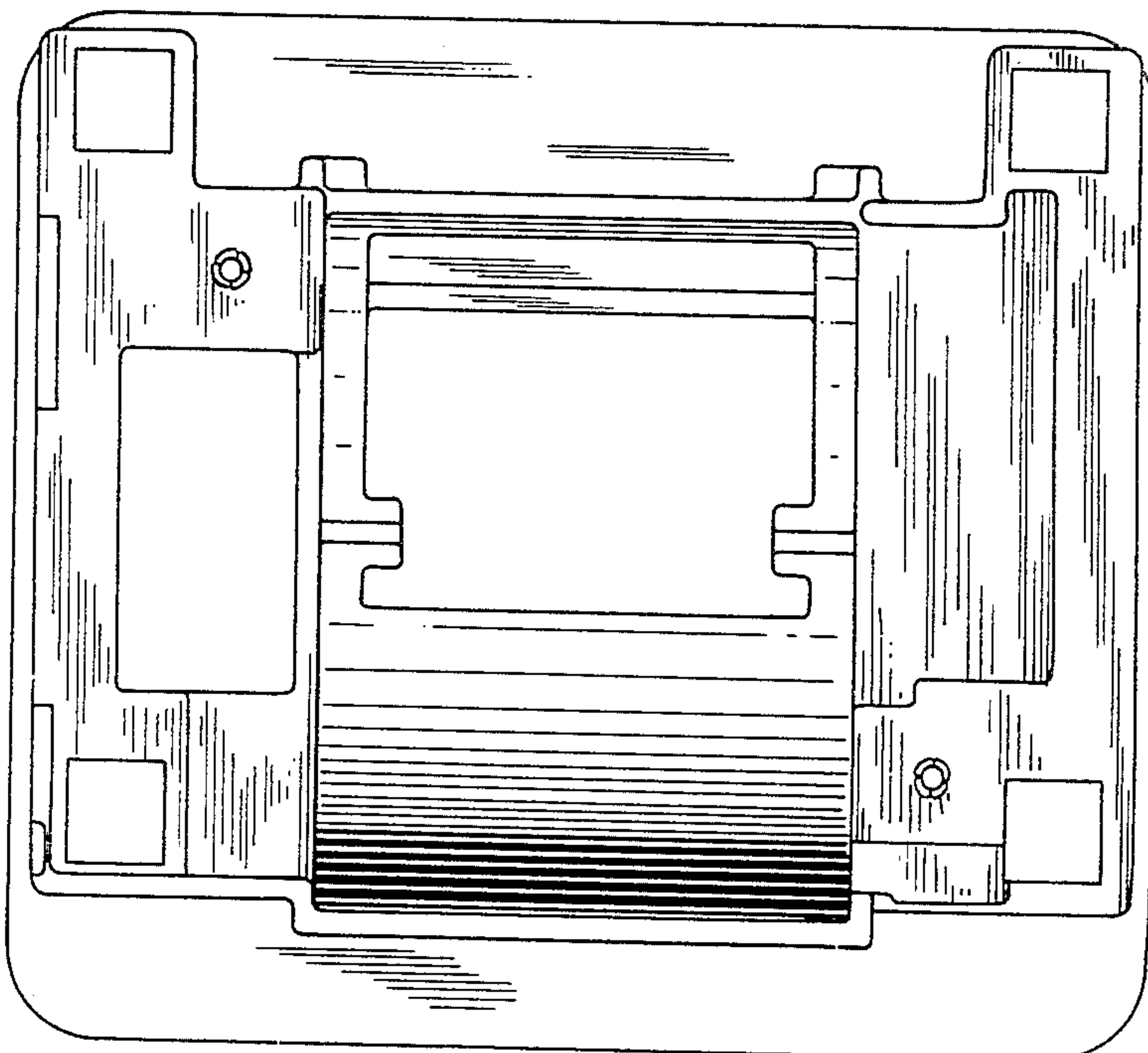


FIGURE 2

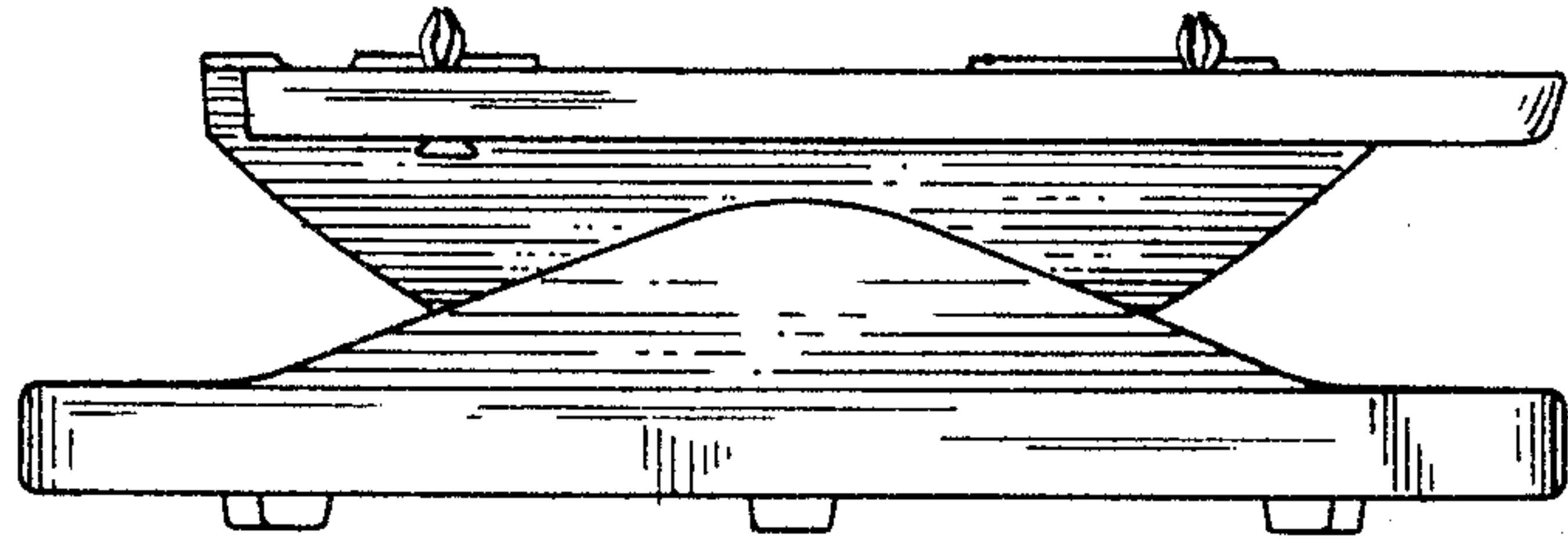


FIGURE 3

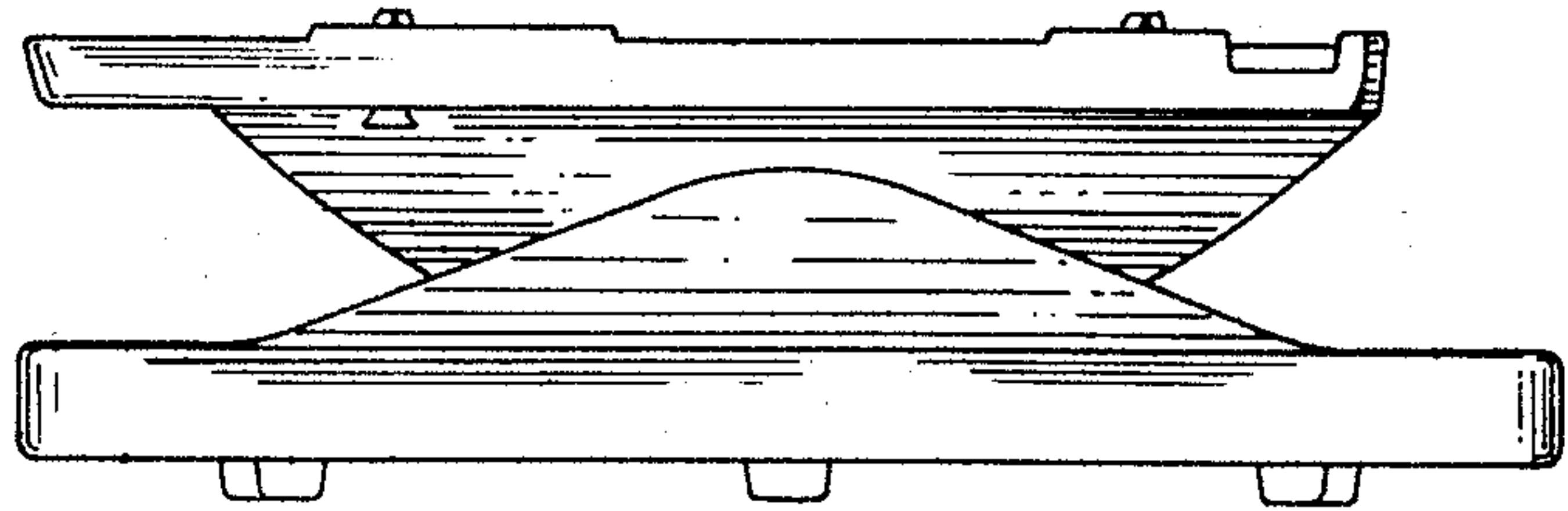


FIGURE 4

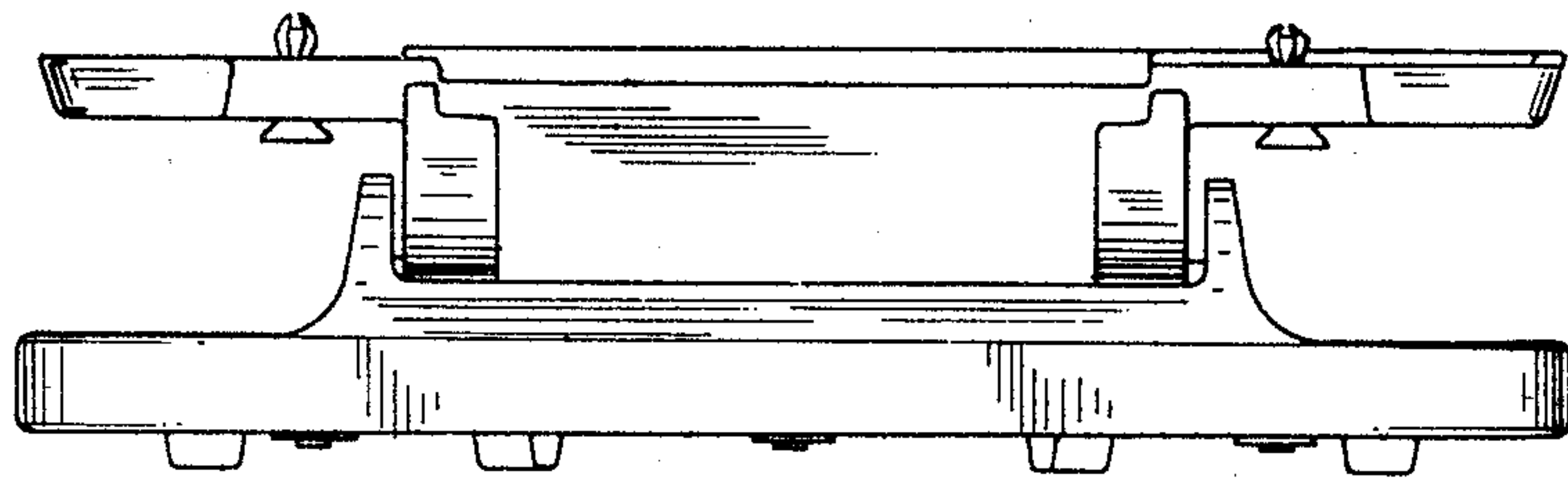


FIGURE 5

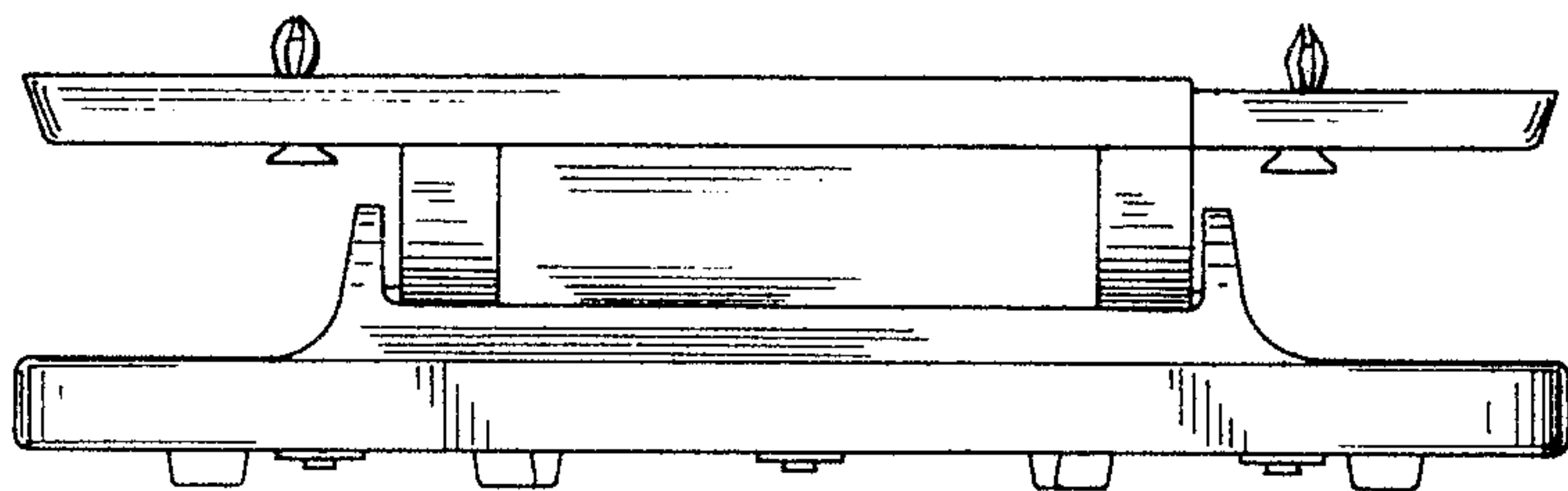


FIGURE 6

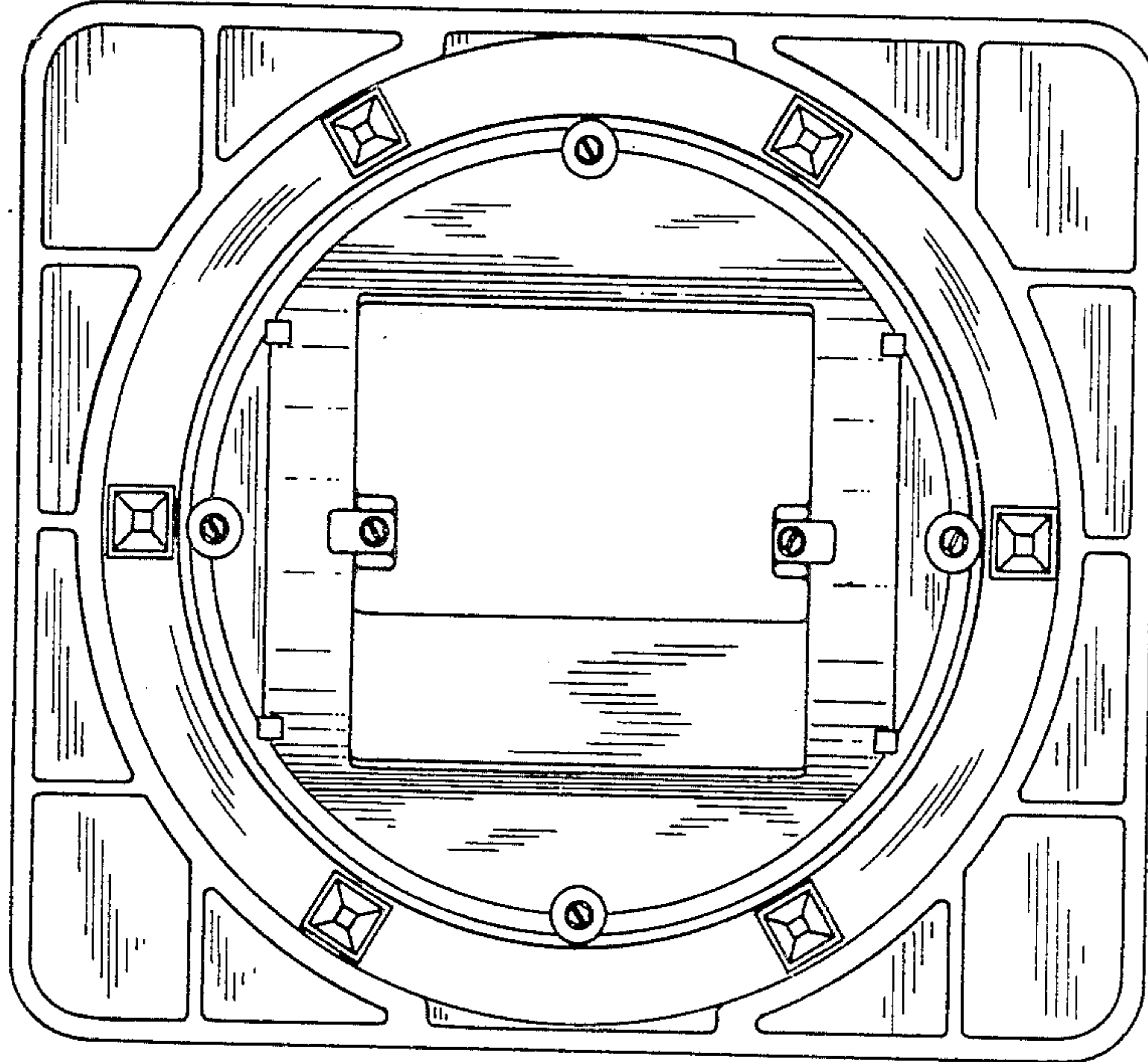


FIGURE 7