

[54] WIPER ARM FOR CASSETTE CLEANER FOR AN AUDIO PLAYER/RECORDER

Primary Examiner—Jane E. Corrigan
Attorney, Agent, or Firm—Hughes, Barnard & Cassidy

[75] Inventors: Eivind Clausen; James D. Allsop, both of Bellingham, Wash.

[57] CLAIM

The ornamental design for a wiper arm for cassette cleaner for an audio player/recorder, substantially as shown and described.

[73] Assignee: Allsop, Inc., Bellingham, Wash.

[**] Term: 14 Years

DESCRIPTION

[21] Appl. No.: 337,938

FIG. 1 is a top plan-view of a wiper arm for a cassette cleaner for an audio player/recorder showing my new design, with a cassette cleaner shown in broken lines for purposes of illustration only and forming no part of the claimed design;

[22] Filed: Jan. 7, 1982

[52] U.S. Cl. D14/11

FIG. 2 is a front elevational view thereof;

[58] Field of Search D14/10, 11; 360/128, 360/137

FIG. 3 is a rear elevational view thereof;

[56] References Cited

U.S. PATENT DOCUMENTS

4,149,206 4/1979 Loiselle 360/128

FIG. 4 is a right side elevational view;

FIG. 5 is a front, top and right side perspective view of the wiper arm;

FOREIGN PATENT DOCUMENTS

2105300 3/1983 United Kingdom 206/387

FIG. 6 is a top plan view thereof;

FIG. 7 is a bottom plan view thereof;

FIG. 8 is a front elevational view thereof; and

FIG. 9 is a right side elevational view thereof.

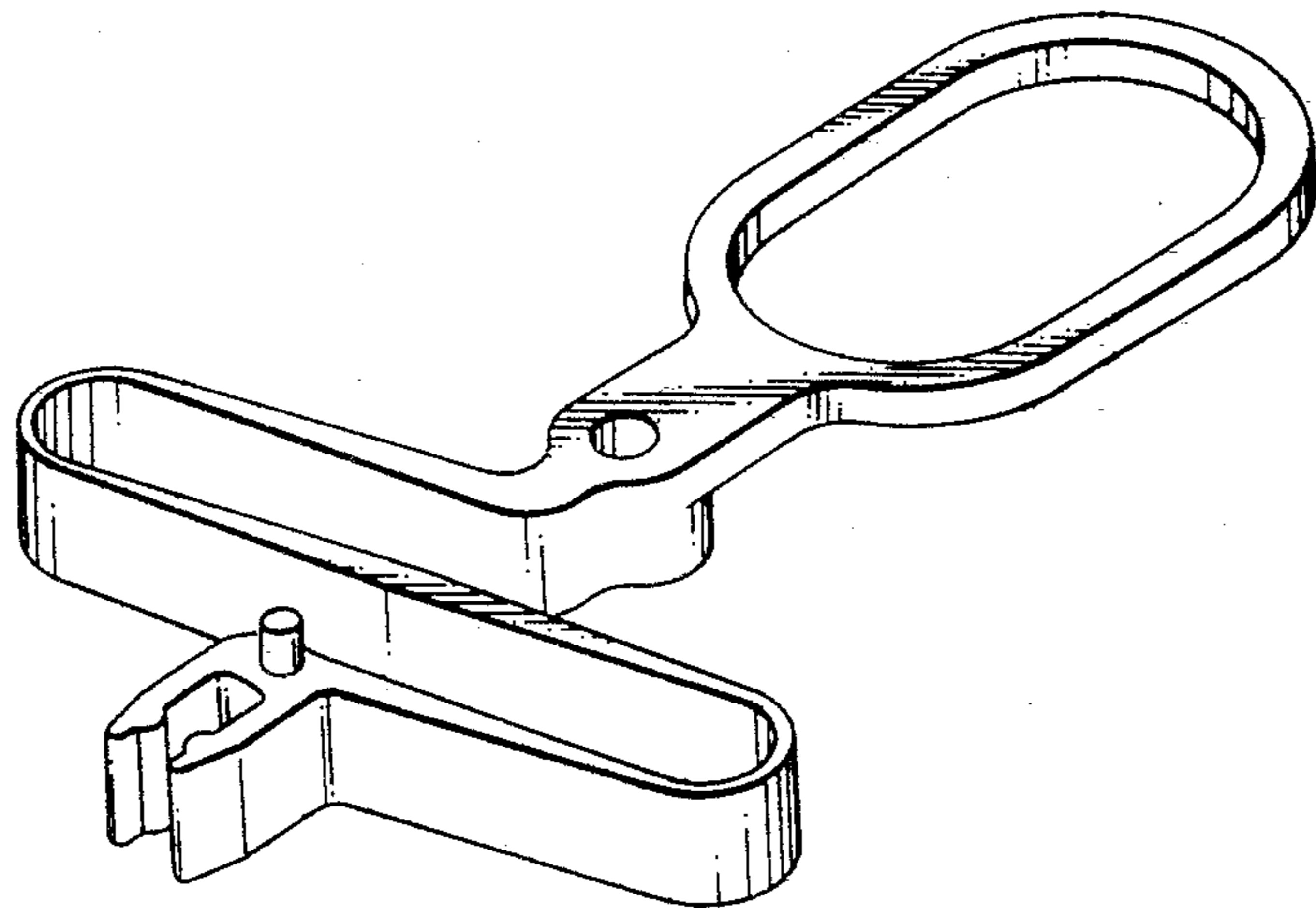


FIG. 1

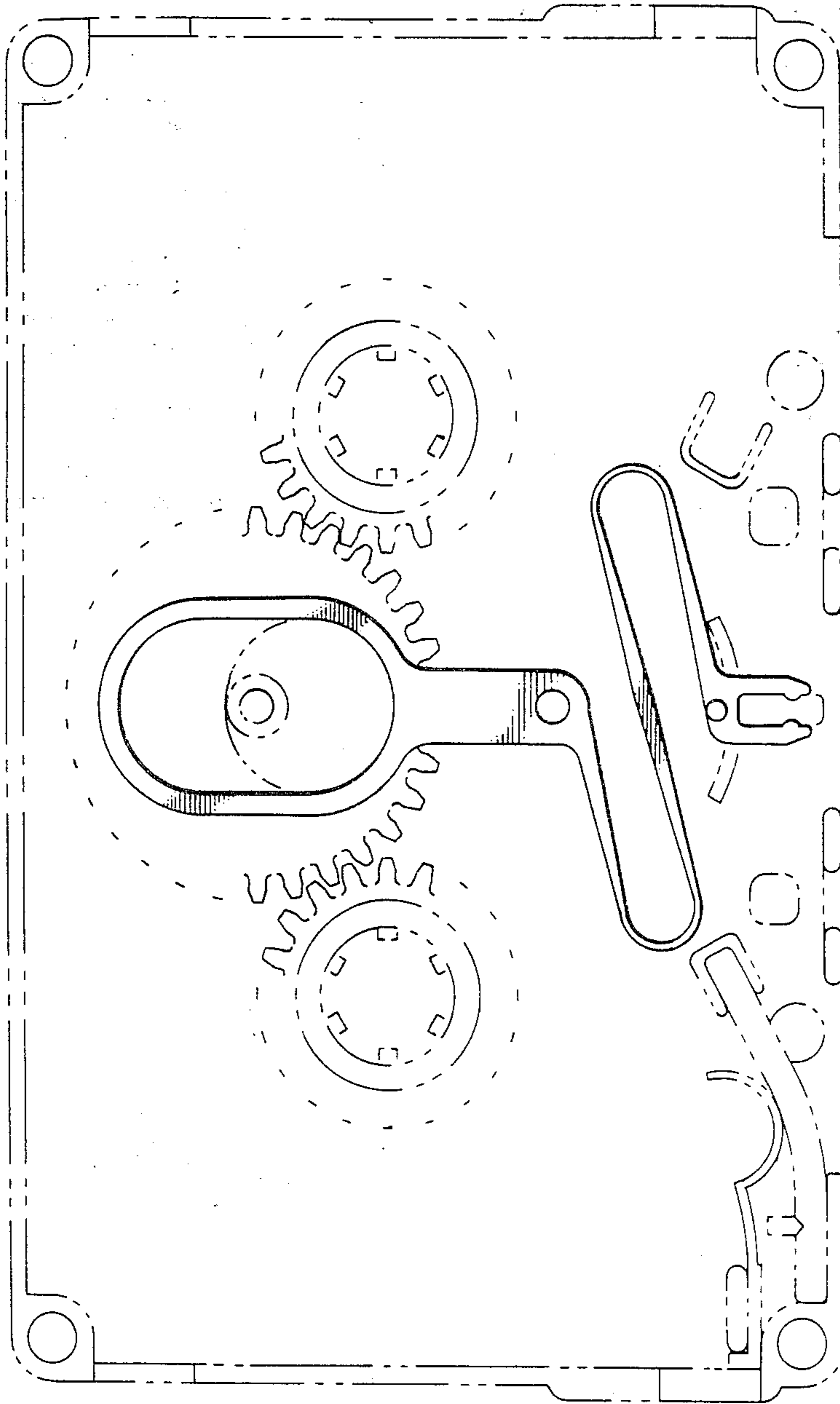


FIG. 2

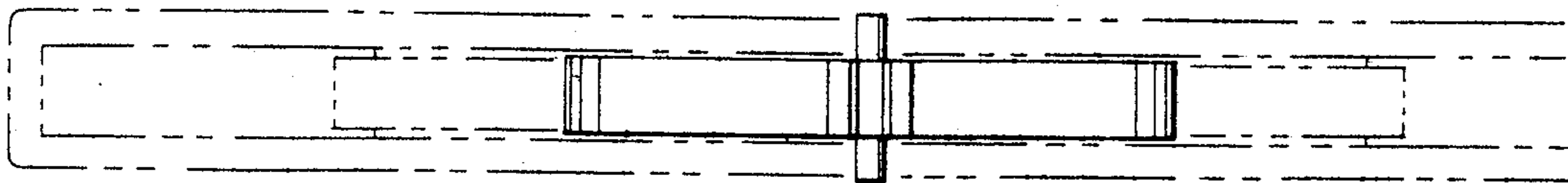


FIG. 3

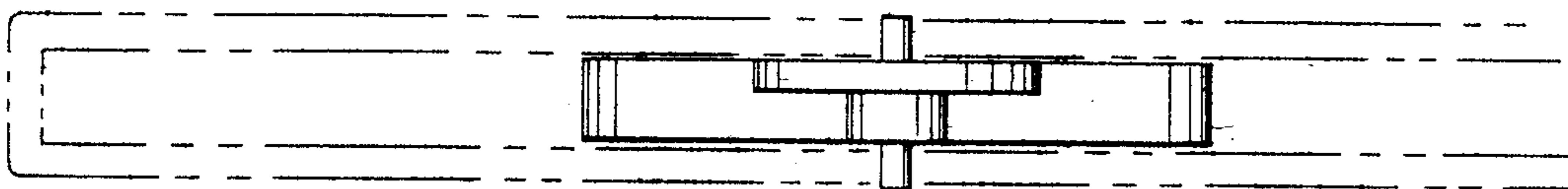


FIG. 4

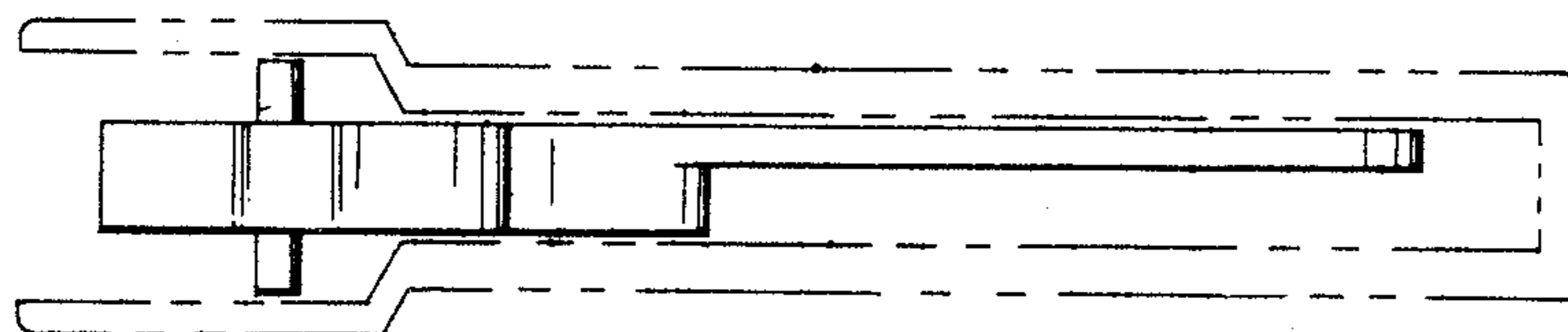


FIG. 5

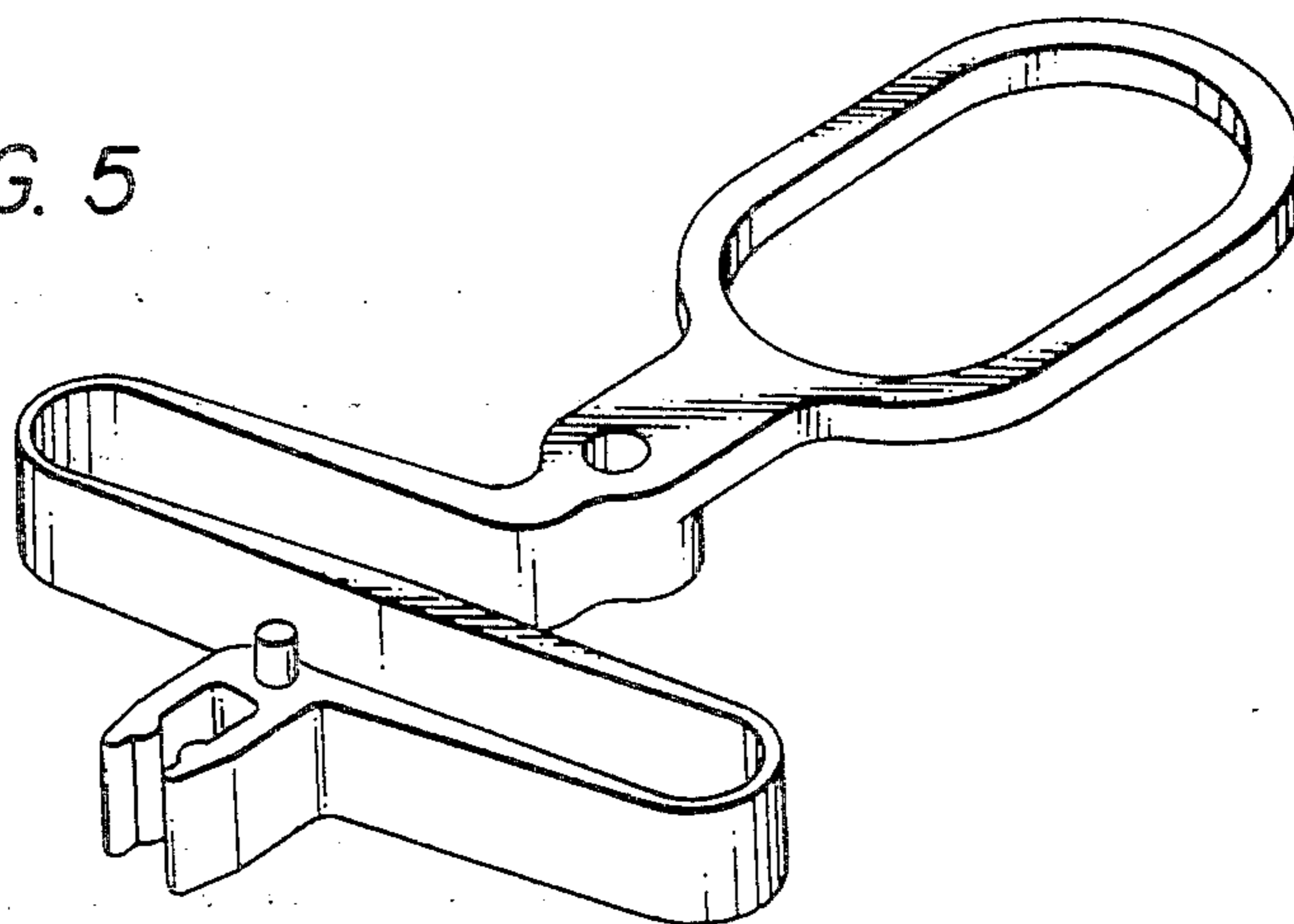


FIG. 6

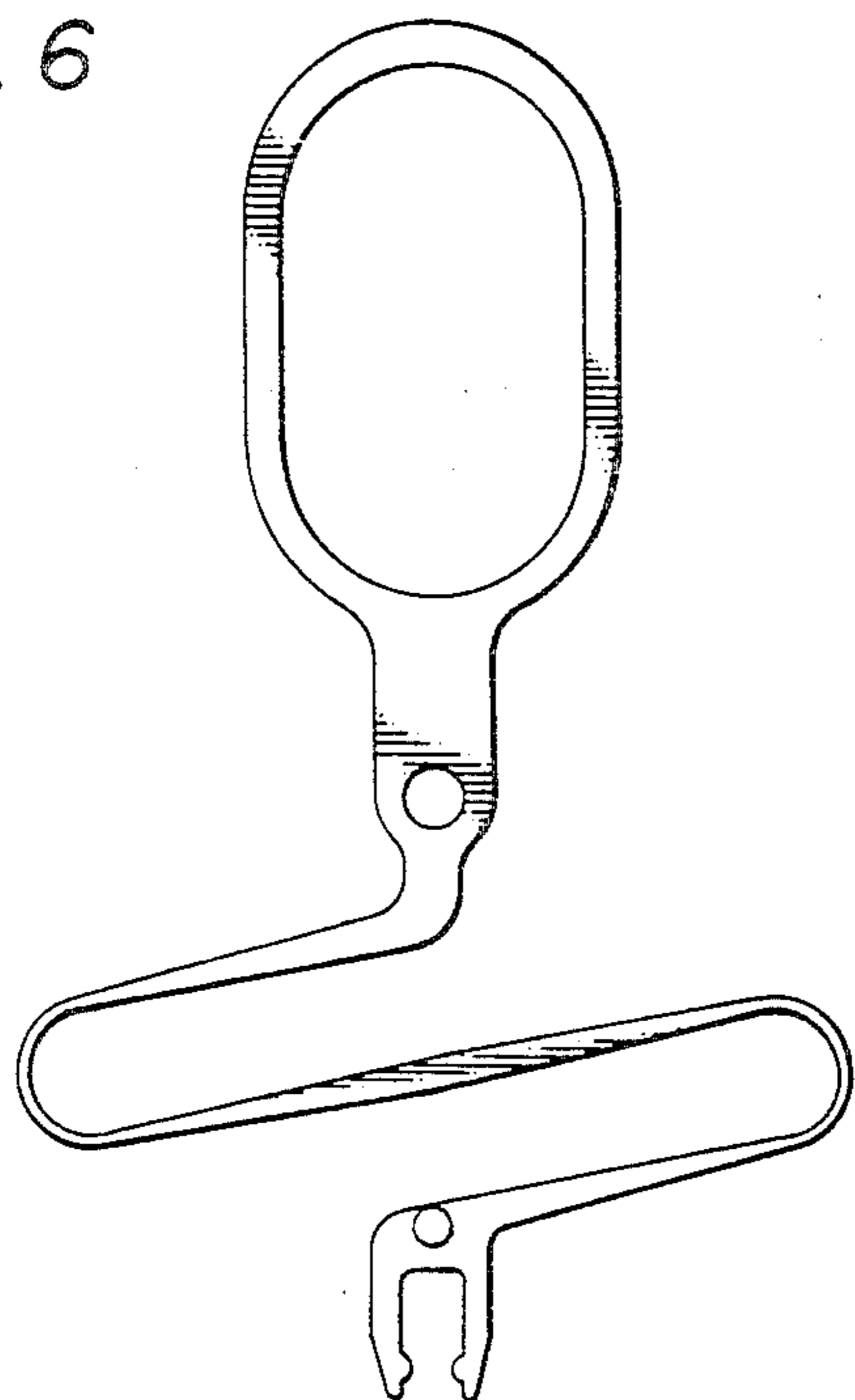


FIG. 7

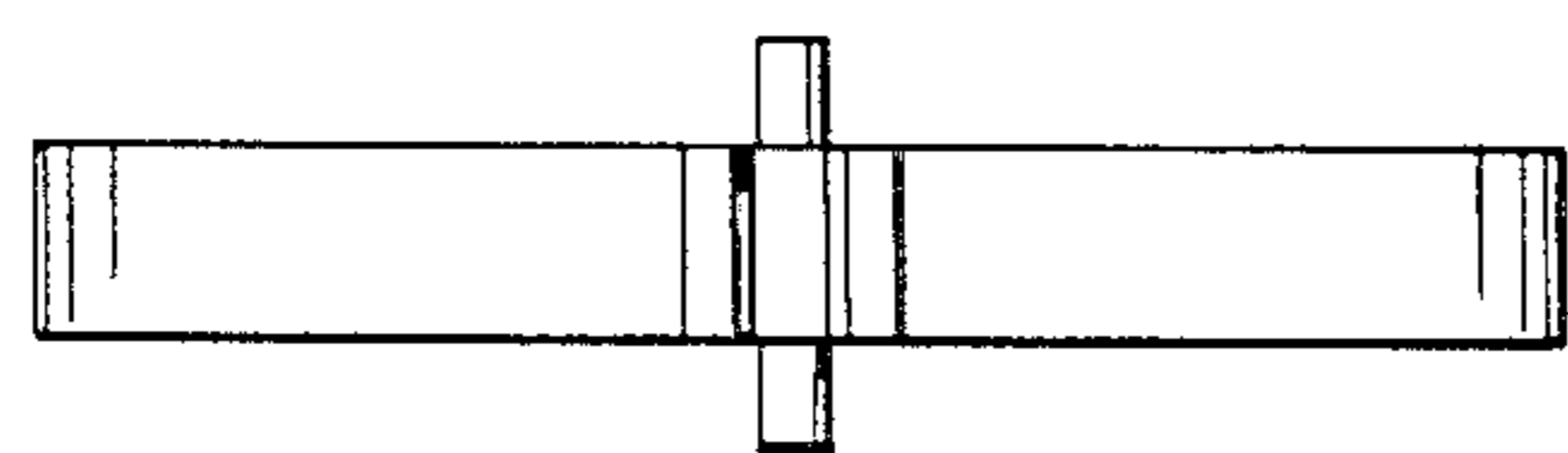
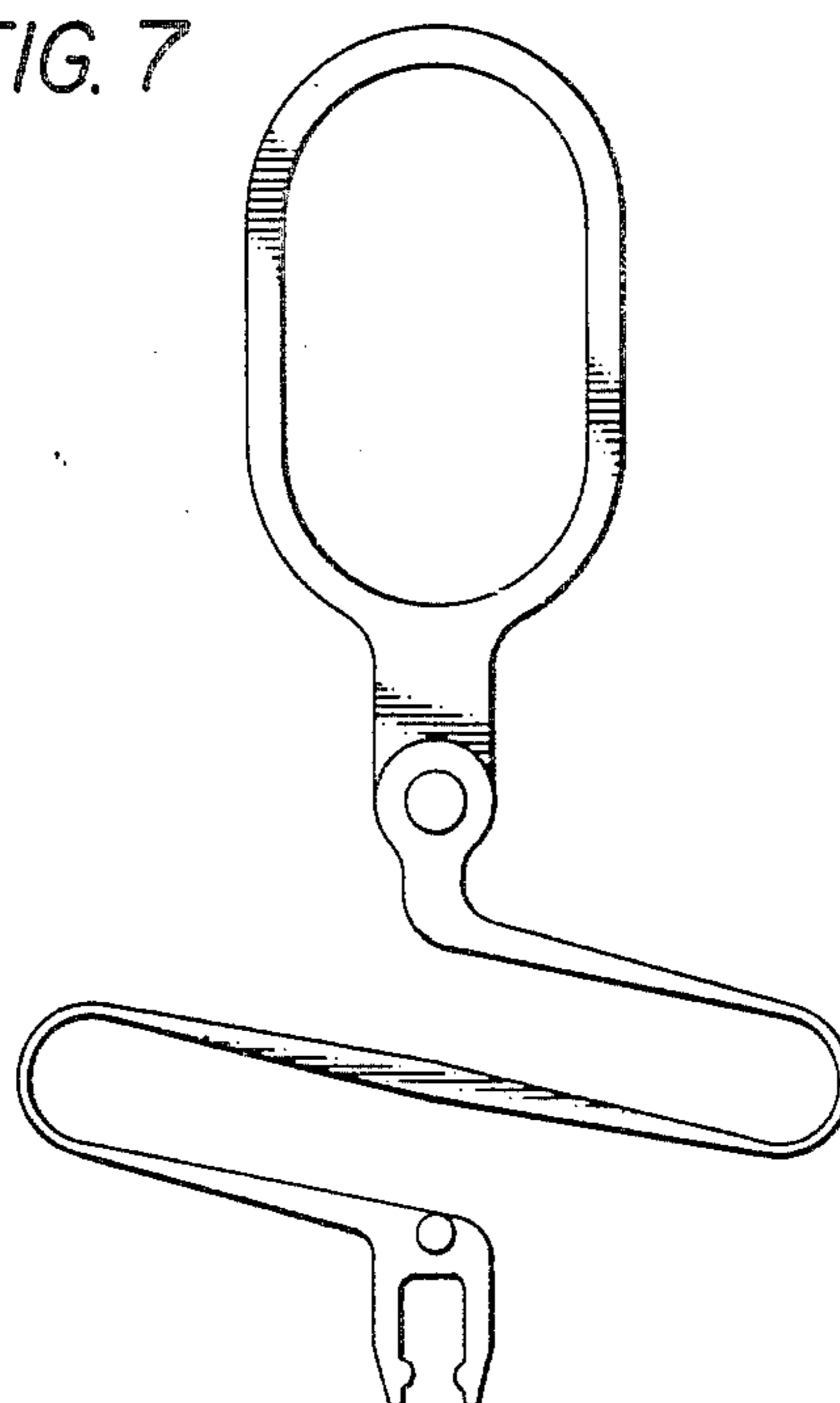


FIG. 8

FIG. 9

