

[54] **CLEANING CARTRIDGE FOR A CASSETTE CLEANER FOR AN AUDIO OR VIDEO PLAYER/RECORDER**

[75] Inventors: **Eivind Clausen; James D. Allsop,** both of Bellingham, Wash.

[73] Assignee: **Allsop, Inc.,** Bellingham, Wash.

[\*\*] Term: **14 Years**

[21] Appl. No.: **337,770**

[22] Filed: **Jan. 7, 1982**

[52] U.S. Cl. .... **D14/11**

[58] Field of Search ..... **D14/10, 11; 15/DIG. 13; 360/128, 137; 206/387**

[56] **References Cited**

**U.S. PATENT DOCUMENTS**

4,149,206 4/1979 Loiselle ..... 360/128

**FOREIGN PATENT DOCUMENTS**

2105300 3/1983 United Kingdom ..... 206/387

*Primary Examiner*—Jane E. Corrigan

*Attorney, Agent, or Firm*—Hughes, Barnard & Cassidy

[57] **CLAIM**

The ornamental design for a cleaning cartridge for a cassette cleaner for an audio or video player/recorder, as shown and described.

**DESCRIPTION**

FIG. 1 is a front, top and right side exploded perspective view of a cleaning cartridge for a cassette cleaner for an audio or video player/recorder showing our new design;

FIG. 2 is a front, top and right side perspective view of the cartridge in assembled condition;

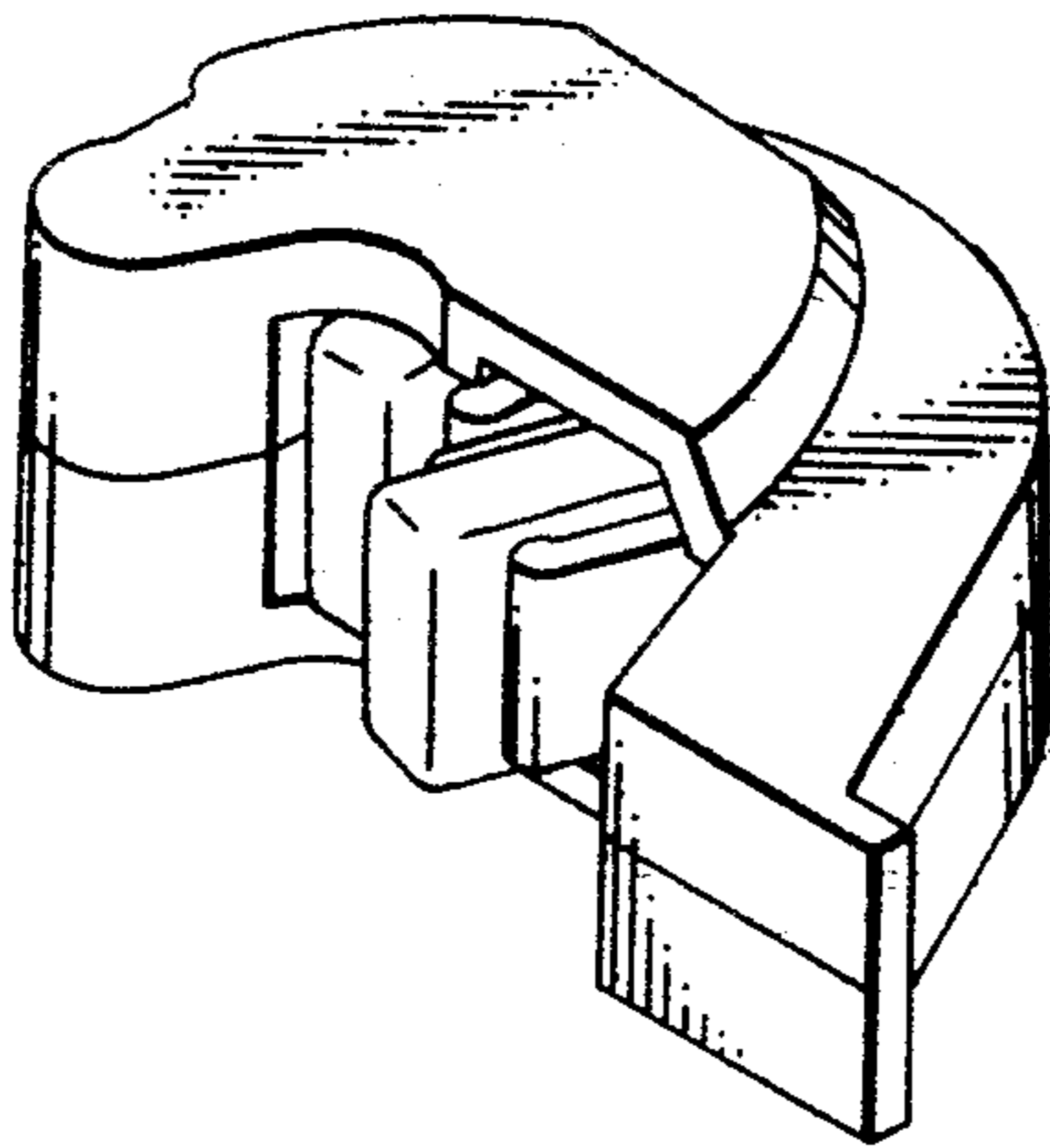
FIG. 3 is a top plan view with the outer housing shown as translucent;

FIG. 4 is a front elevational view thereof;

FIG. 5 is a left side elevational view thereof;

FIG. 6 is a right side elevational view thereof; and

FIG. 7 is a rear elevational view thereof.



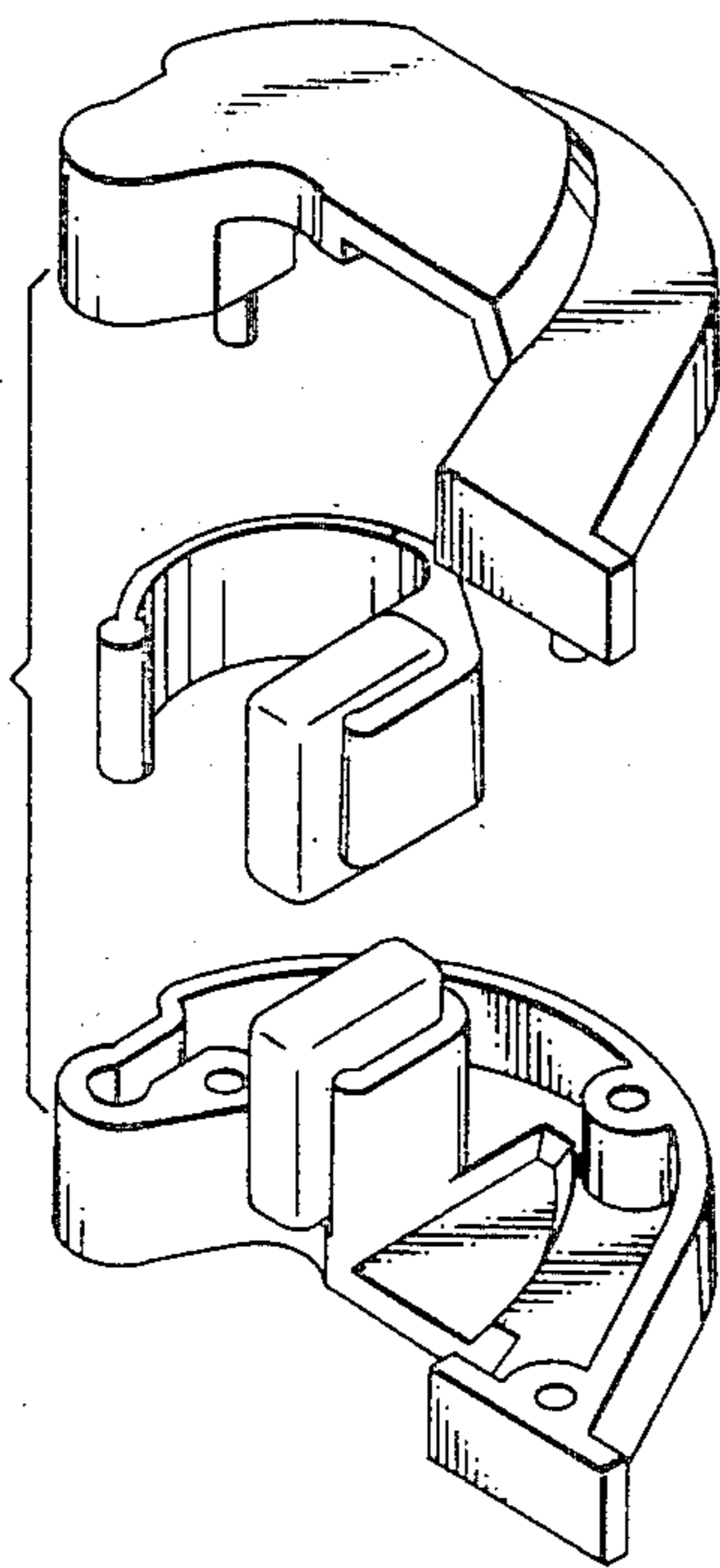


FIG. 1

FIG. 2

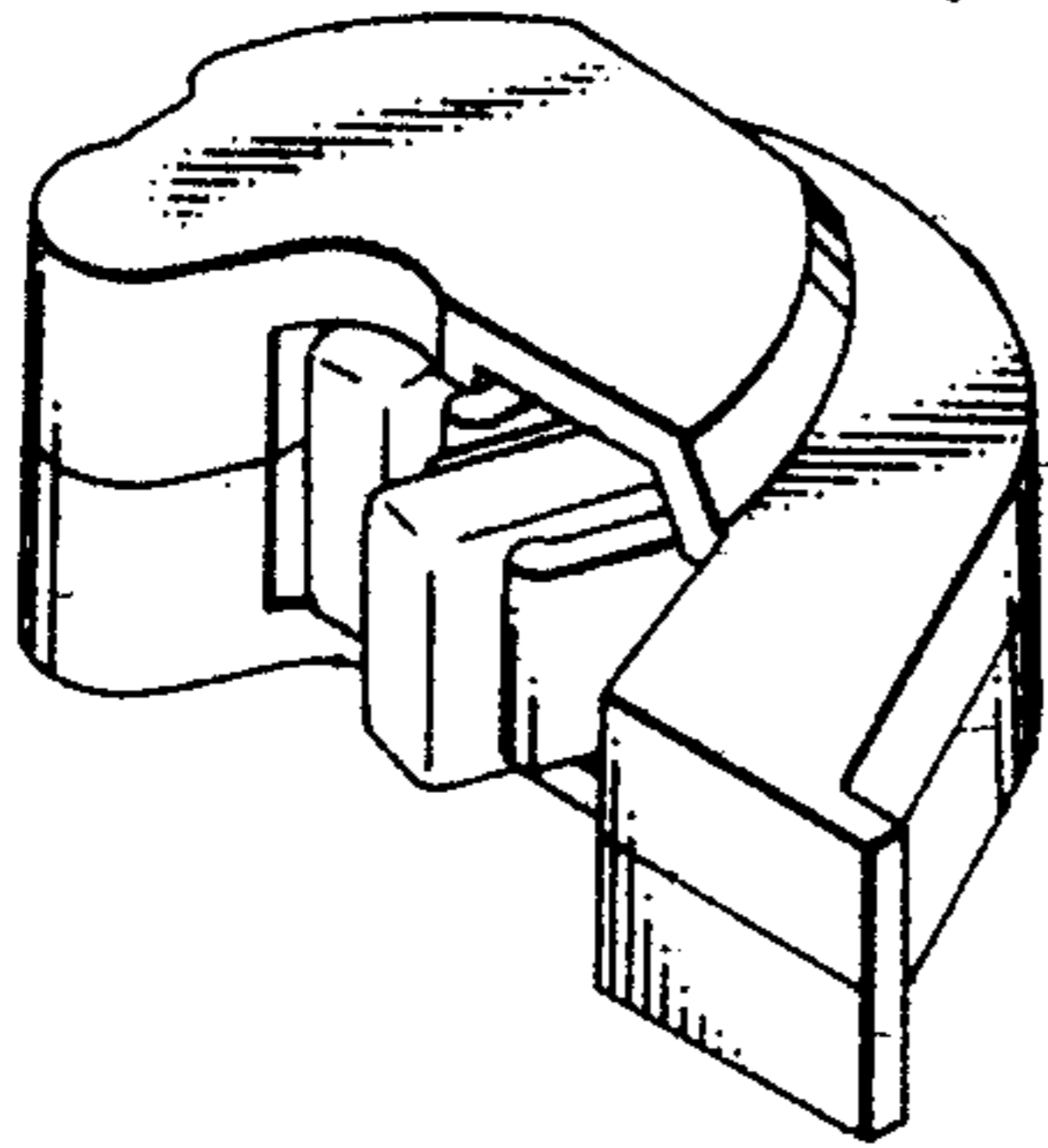


FIG. 3

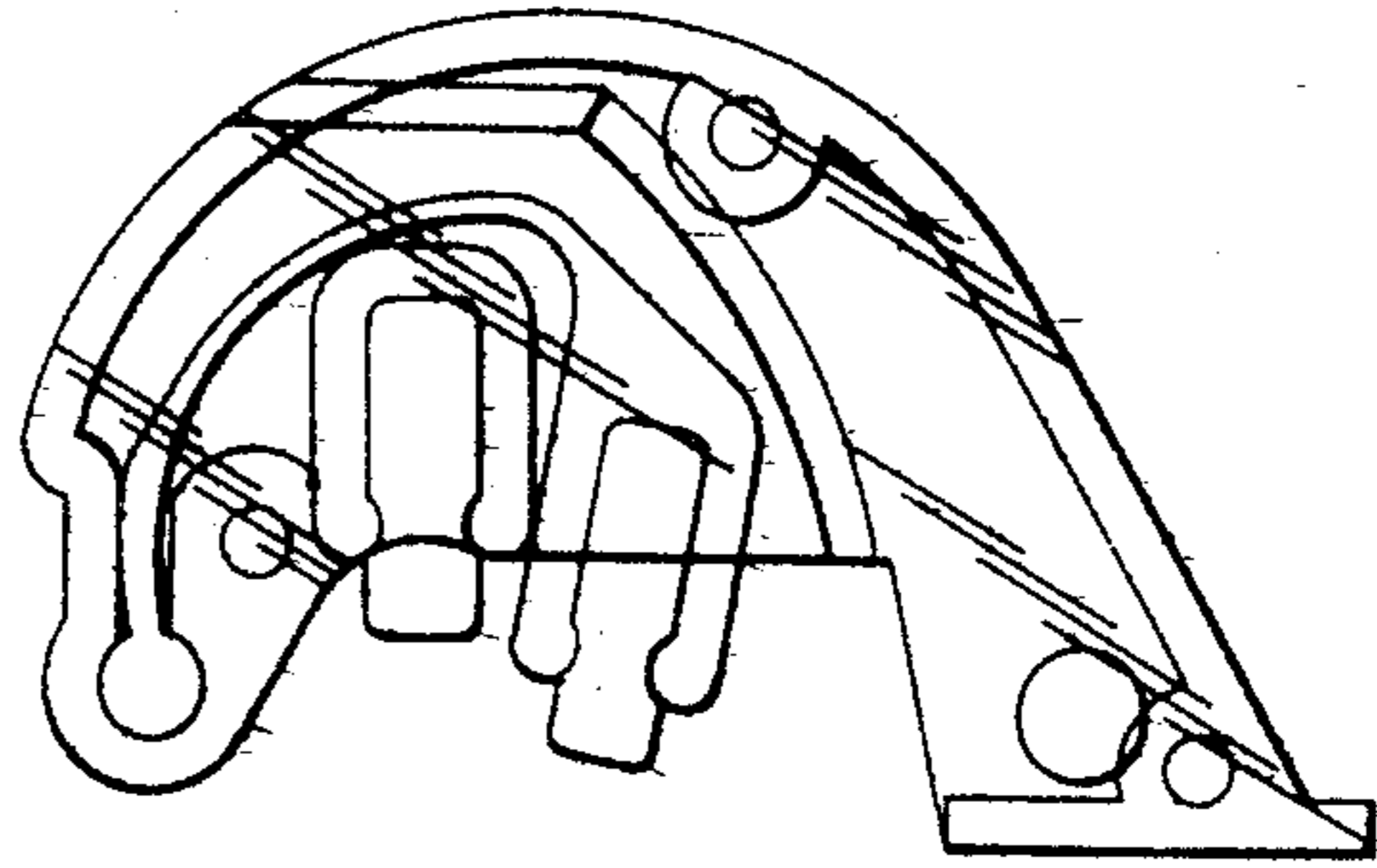


FIG. 5

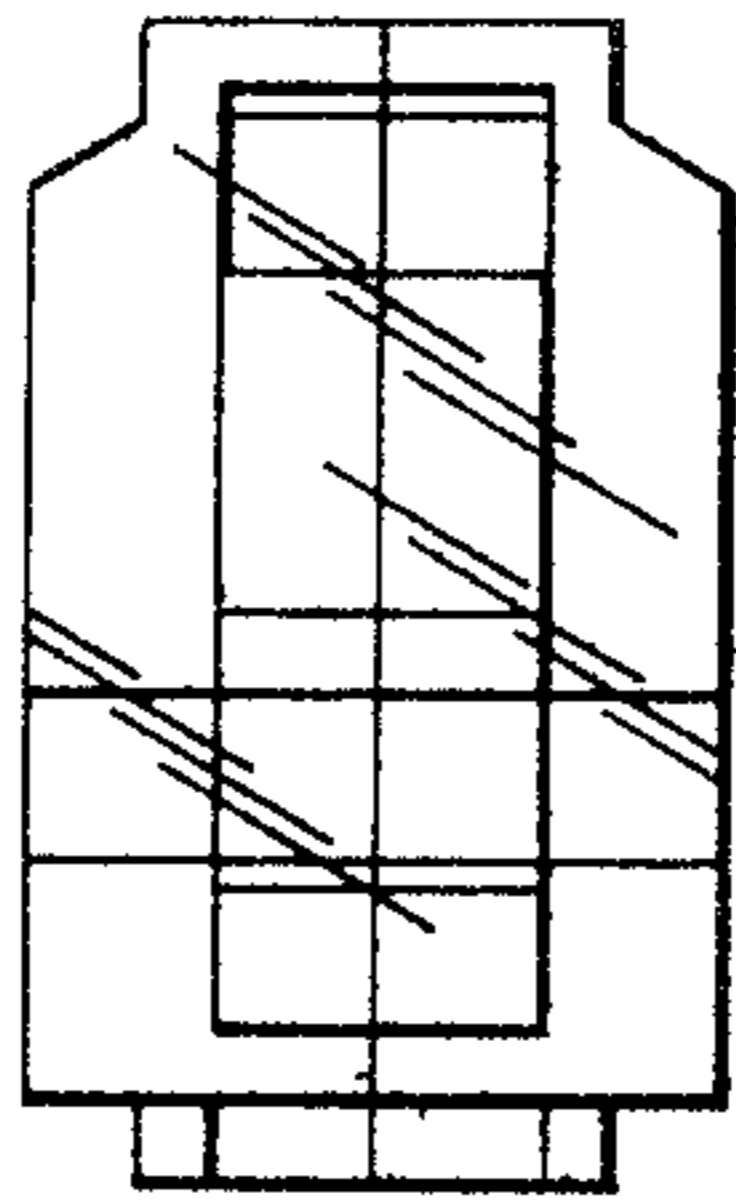


FIG. 4

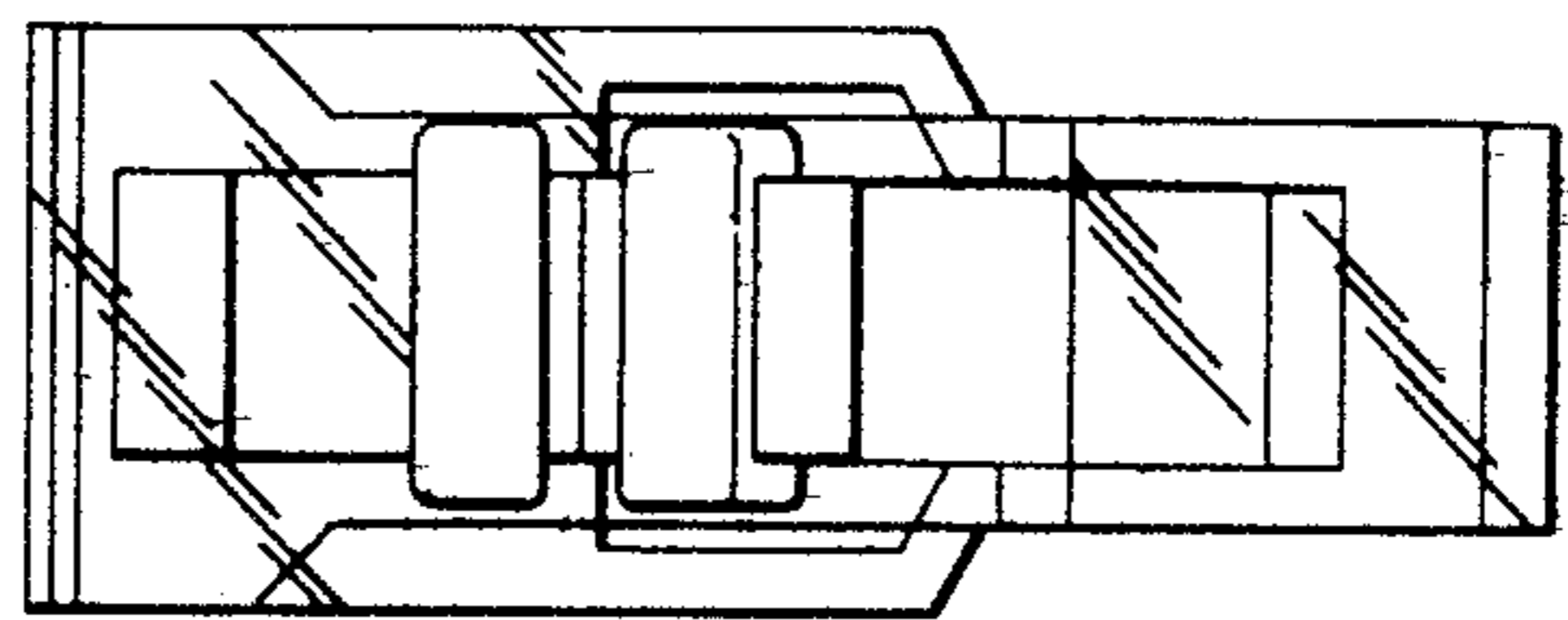


FIG. 6

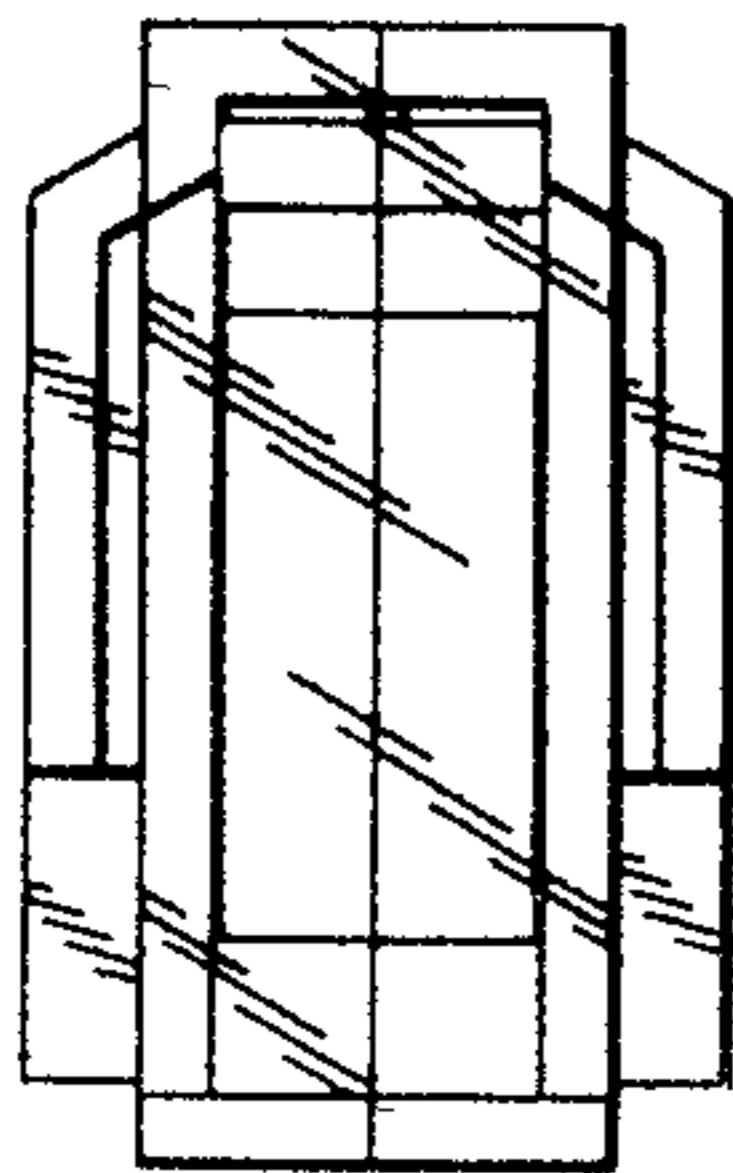


FIG. 7

