

[54] COMBINED MUSICAL CAR HORN AND SECURITY ALARM

[76] Inventors: Marc H. Segan, 154 W. 70th St., New York, N.Y. 10023; Sayre Swarztrauber, 301 E. 79th St., New York, N.Y. 10024

[\*\*] Term: 14 Years

[21] Appl. No.: 402,645

[22] Filed: Jul. 28, 1982

[52] U.S. Cl. .... D10/120; D10/106

[58] Field of Search ..... D10/104, 106, 116, 118, D10/119, 120, 121; 340/500-504, 506, 511, 514, 521-522, 525, 539, 541-542, 545-548, 551-552, 553-557, 561, 565-567, 577-579, 581-583, 584-586, 628-630, 691-693, 384 R, 384 E, 404, 406, 405, 388, 400; 116/4-9, 67 R, 75-77, 85-86, 107, 112, 214, 216, 137 R, 141, 142 R, 147

[56] References Cited

U.S. PATENT DOCUMENTS

D. 249,248 9/1978 Gibbs ..... D10/106

D. 250,608 12/1978 Nelson et al. .... D21/13  
D. 266,935 11/1982 Del Principe et al. .... D21/13  
4,303,398 12/1981 Yoseloff ..... D21/13

OTHER PUBLICATIONS

Hong Kong Interprise; vol. 10, 1980; Desk Top Printer #720MP in middle of bottom page.

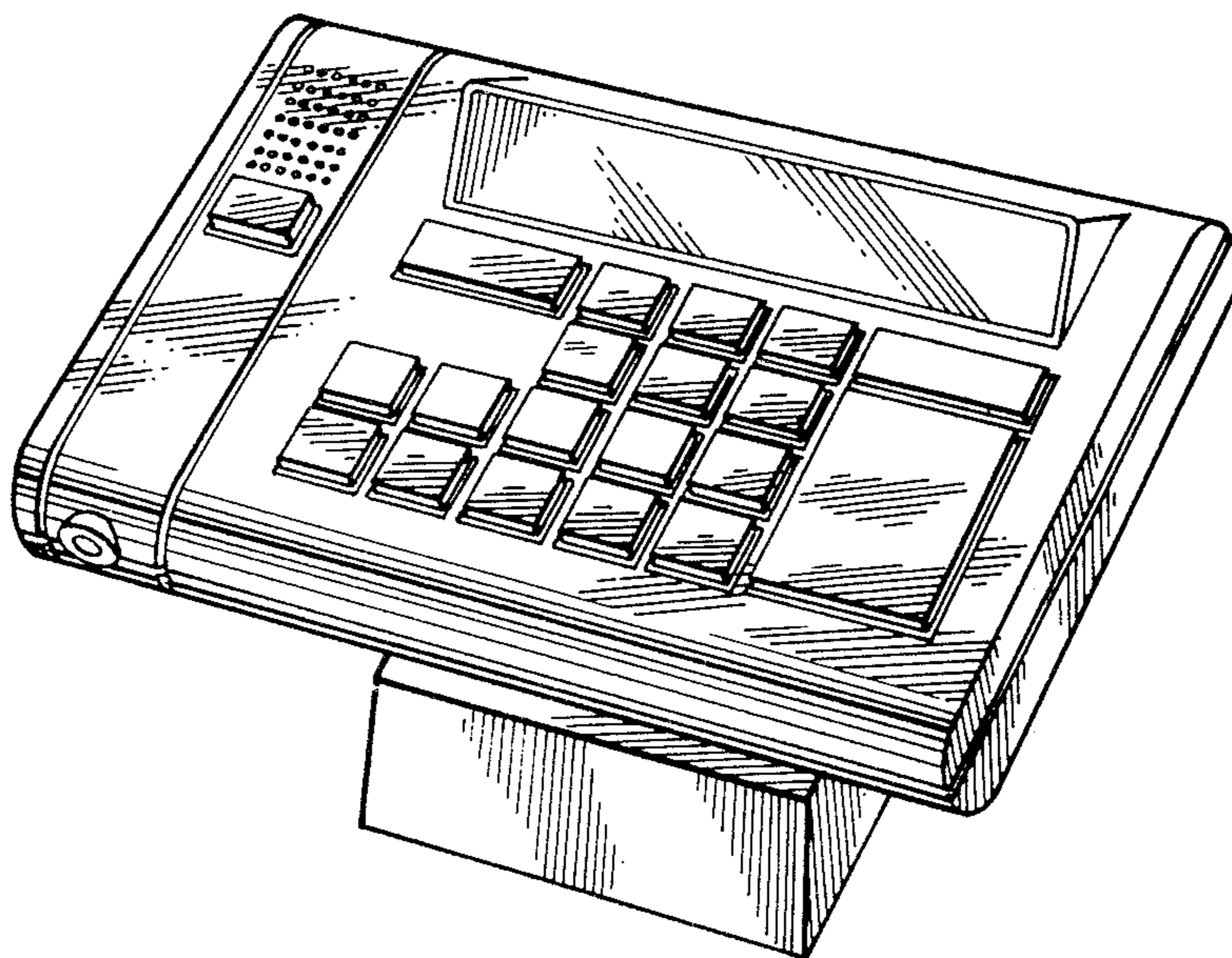
Primary Examiner—Wallace R. Burke  
Assistant Examiner—Suzanne N. Gitlin  
Attorney, Agent, or Firm—Pennie & Edmonds

[57] CLAIM

The ornamental design for a combined musical car horn and security alarm, substantially as shown and described.

DESCRIPTION

FIG. 1 is a right front perspective view of a combined musical car horn and security alarm showing our new design;  
FIG. 2 is a front elevational view thereof;  
FIG. 3 is a top plan view thereof;  
FIG. 4 is a bottom plan view thereof;  
FIG. 5 is a rear elevational view thereof;  
FIG. 6 is a side elevational view thereof.



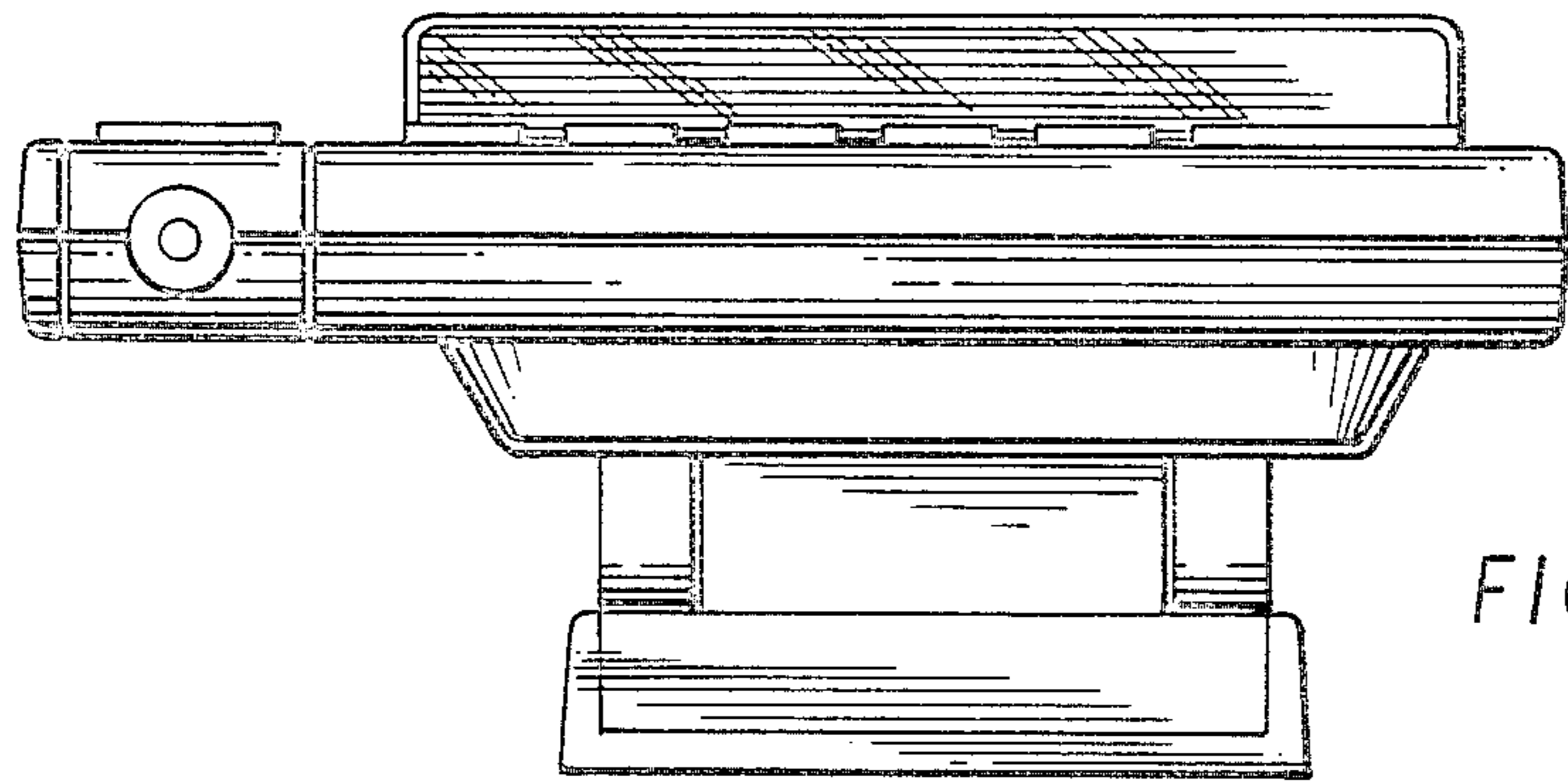
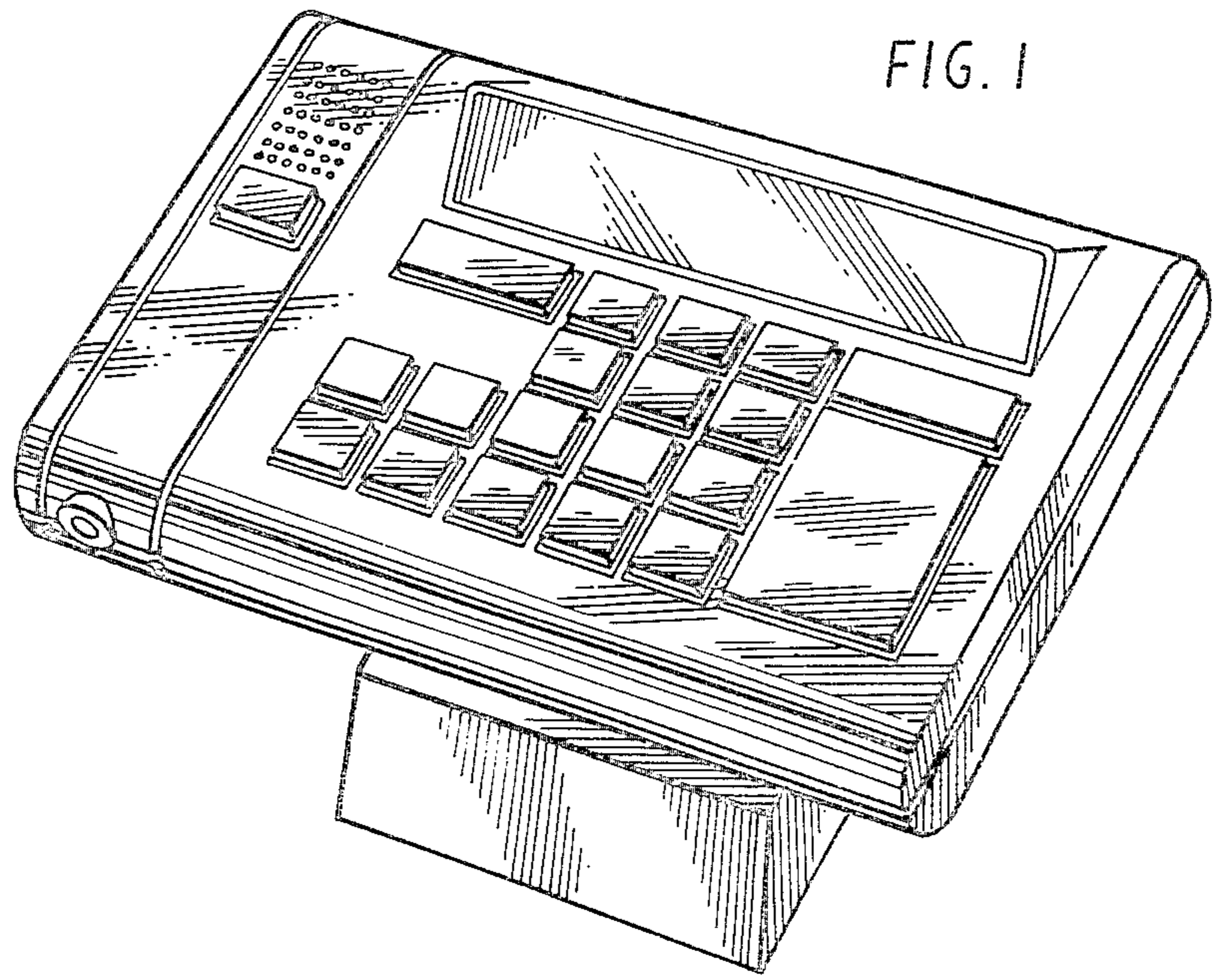


FIG. 3

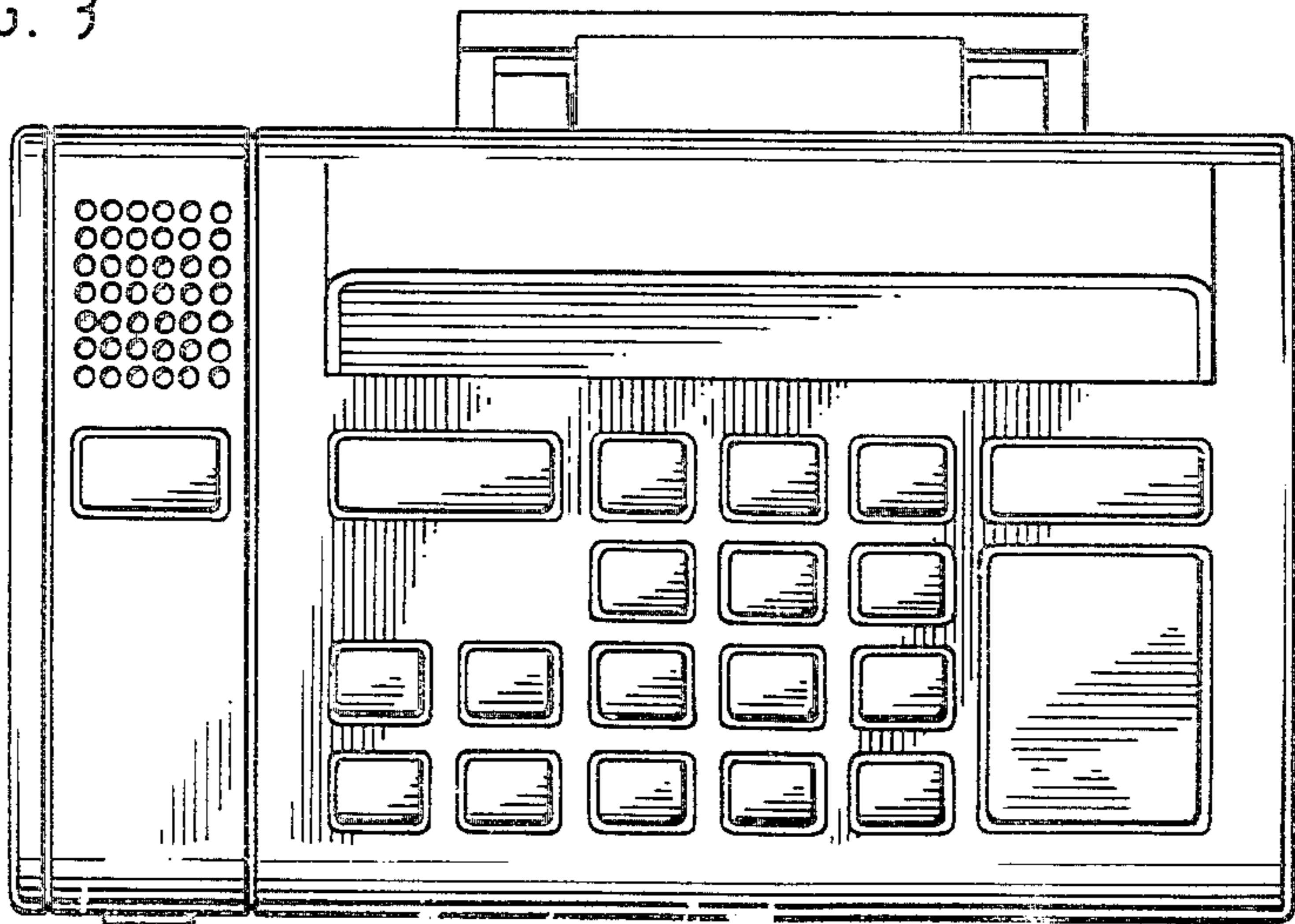


FIG. 4

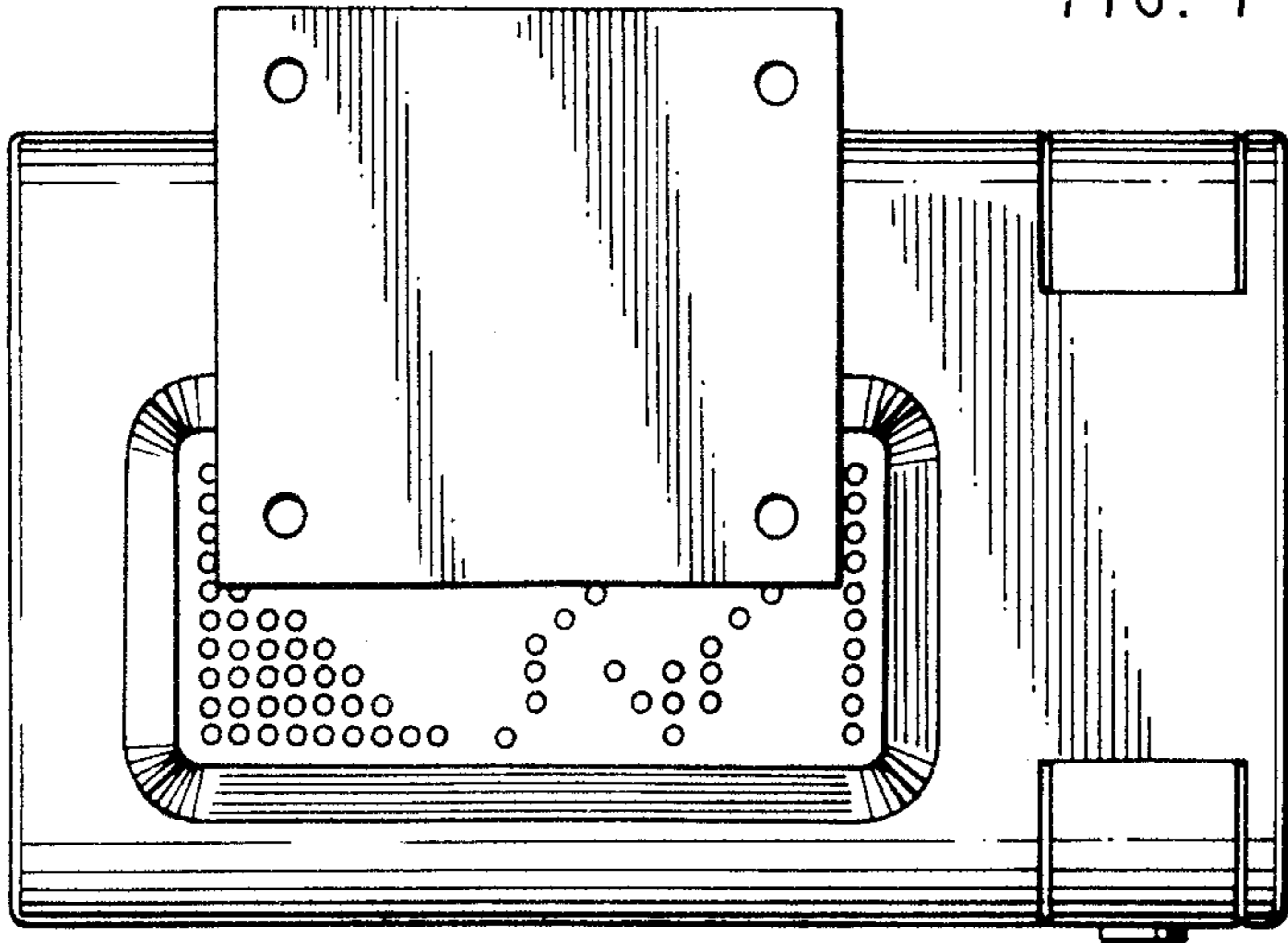


FIG. 5

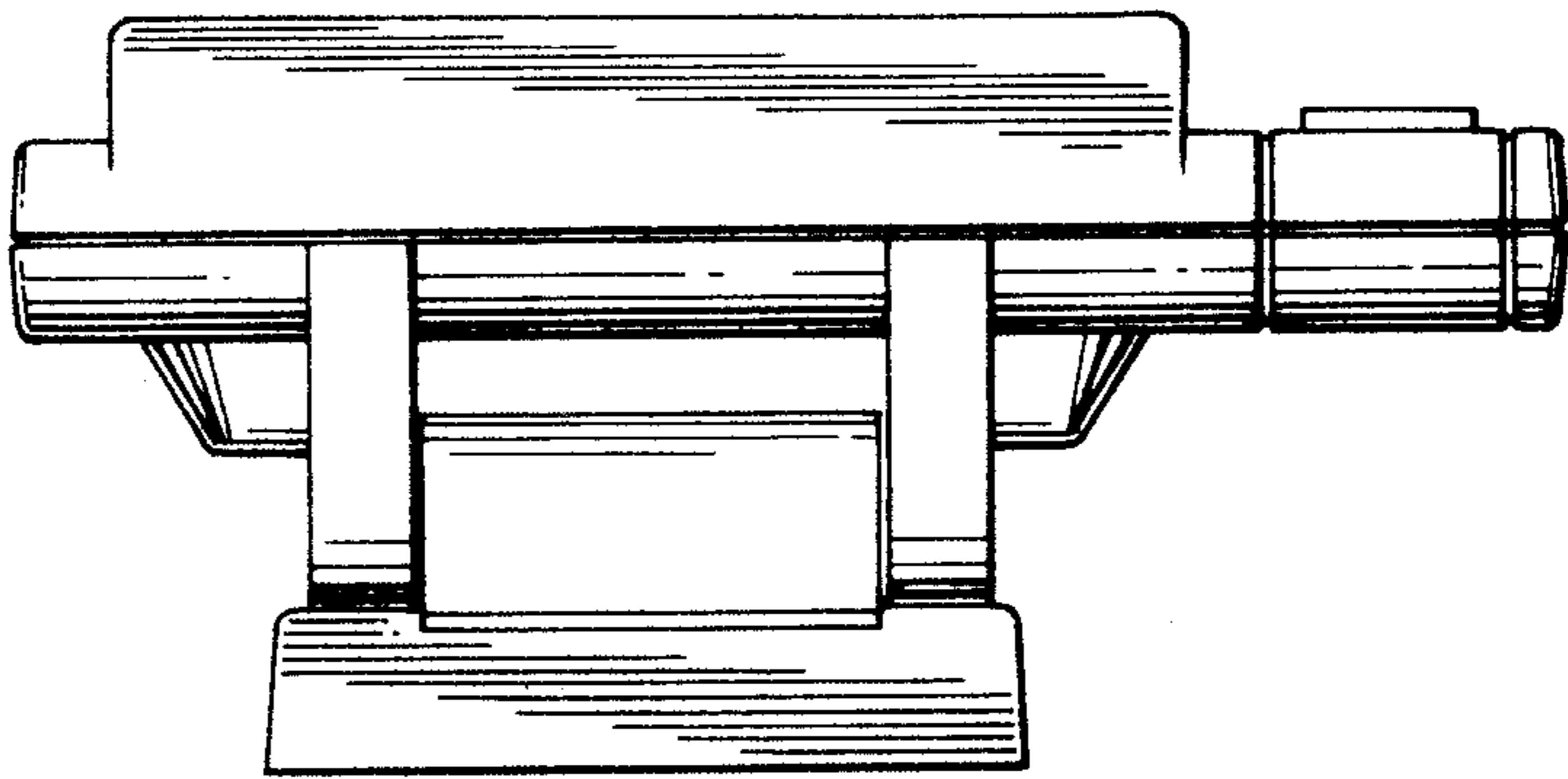


FIG. 6

