

[54] **HINGED CLASP FOR A BAG**

[76] Inventor: **Joseph G. Kisha**, 1604-A Beekman Pl., NW., Washington, D.C. 20009

[\*\*] Term: **14 Years**

[21] Appl. No.: **420,376**

[22] Filed: **Sep. 20, 1982**

[52] U.S. Cl. .... **D9/435; D9/434; D9/443; 24/30.5 P**

[58] Field of Search ..... **D9/435-437, D9/434, 443; 24/30.5 P, 30.5 R; 150/15, 16, 20, 26, 42; 383/68**

3,266,711 8/1966 Song ..... 383/13  
 3,523,534 8/1970 Nolan ..... 604/335  
 4,296,529 10/1981 Brown ..... 24/30.5 P

*Primary Examiner*—Bernard Ansher  
*Assistant Examiner*—Linda M. Titolo  
*Attorney, Agent, or Firm*—Low & Low

[57] **CLAIM**

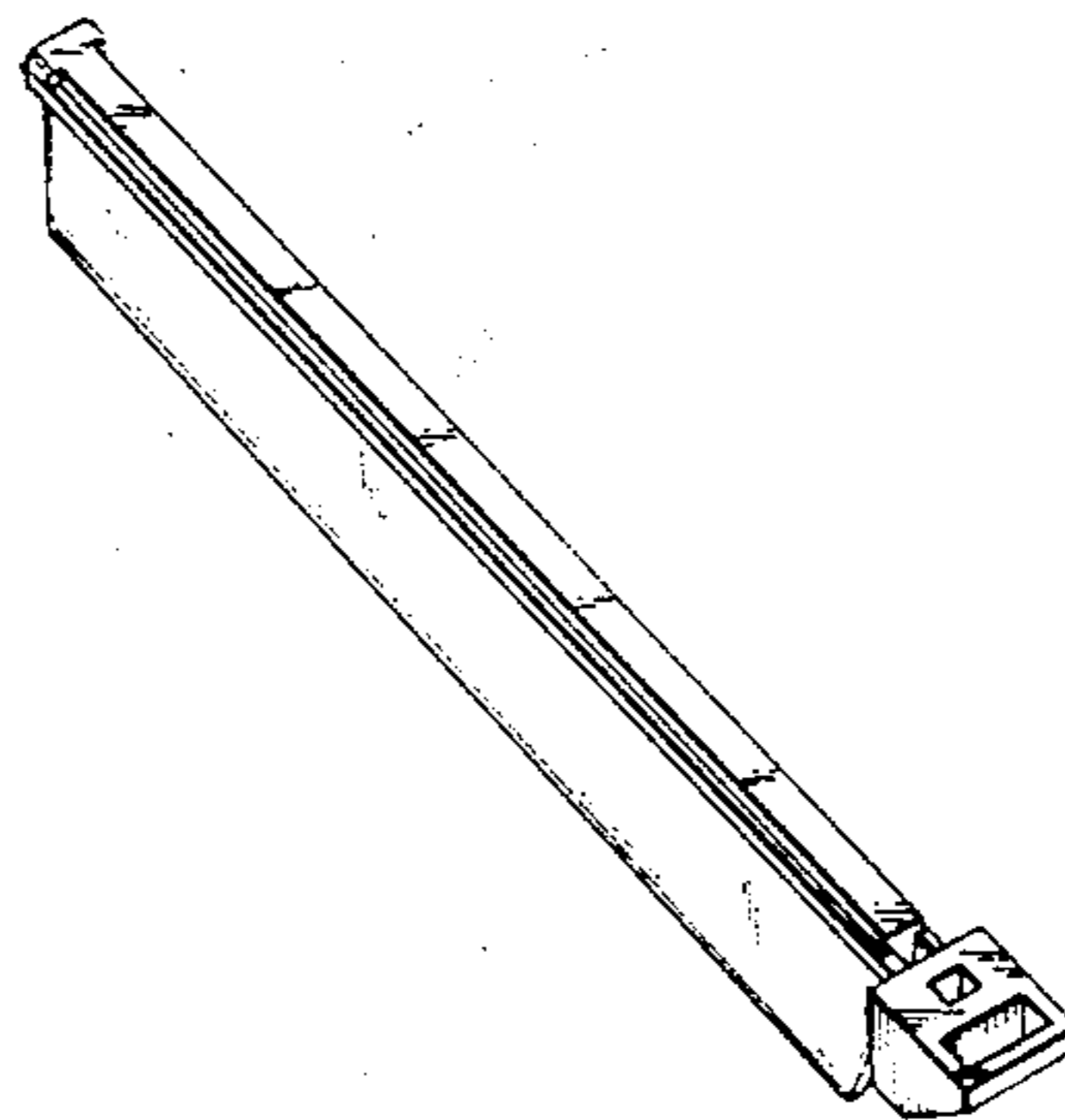
The ornamental design for a hinged clasp for a bag, substantially as shown and described.

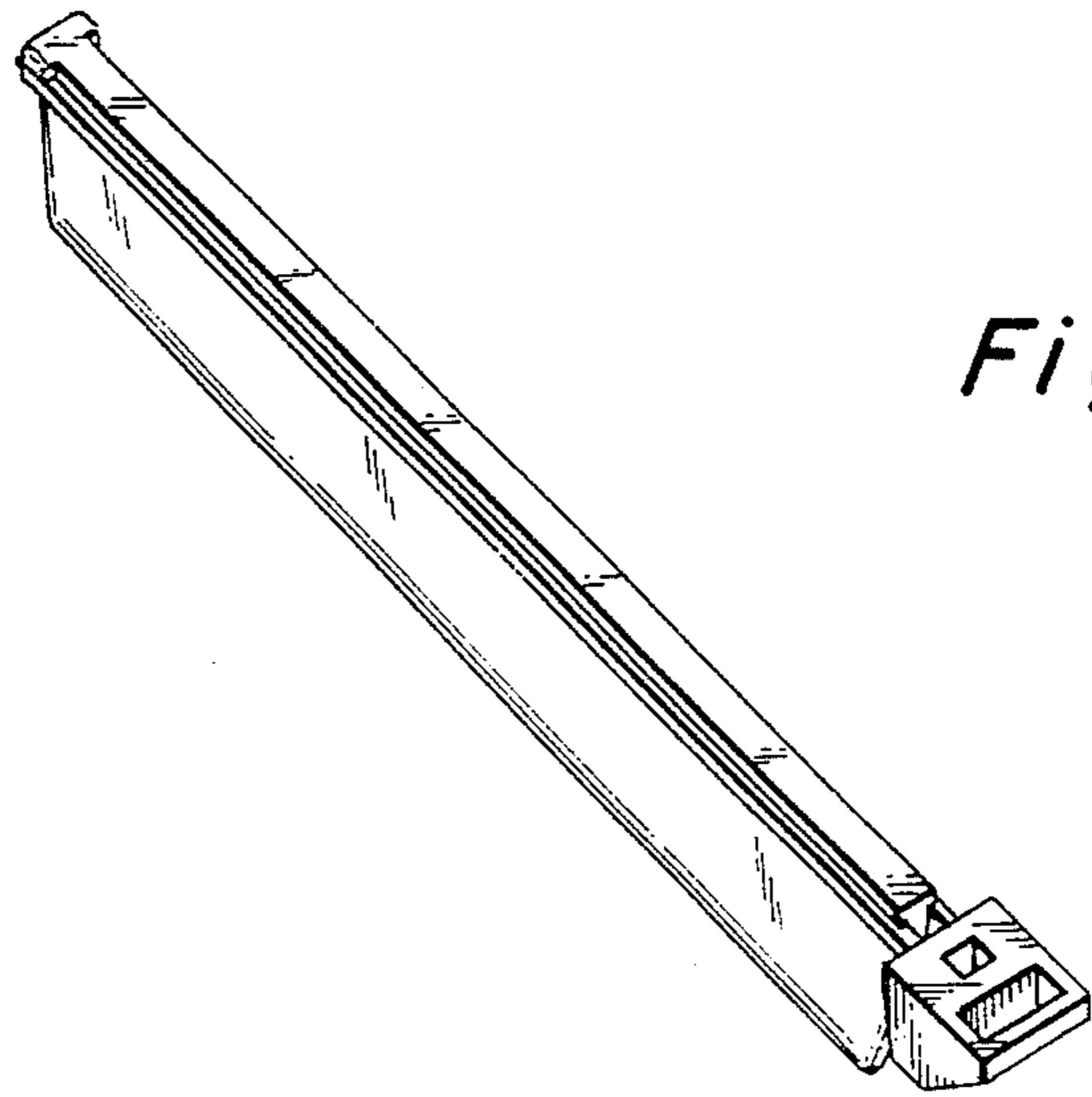
**DESCRIPTION**

FIG. 1 is a perspective view of a hinged clasp in closed position, showing my new design;  
 FIG. 2 is a perspective view thereof in open position;  
 FIG. 3 is a side elevation thereof, the opposite side being a mirror image thereof;  
 FIG. 4 is a top plan view thereof;  
 FIG. 5 is a bottom plan view thereof;  
 FIG. 6 is a right end elevation view thereof;  
 FIG. 7 is a left end elevation view thereof; and  
 FIG. 8 is an enlarged fragmentary perspective view of the rectangular and polygonal head of the clasp, shown separately for clarity of illustration.

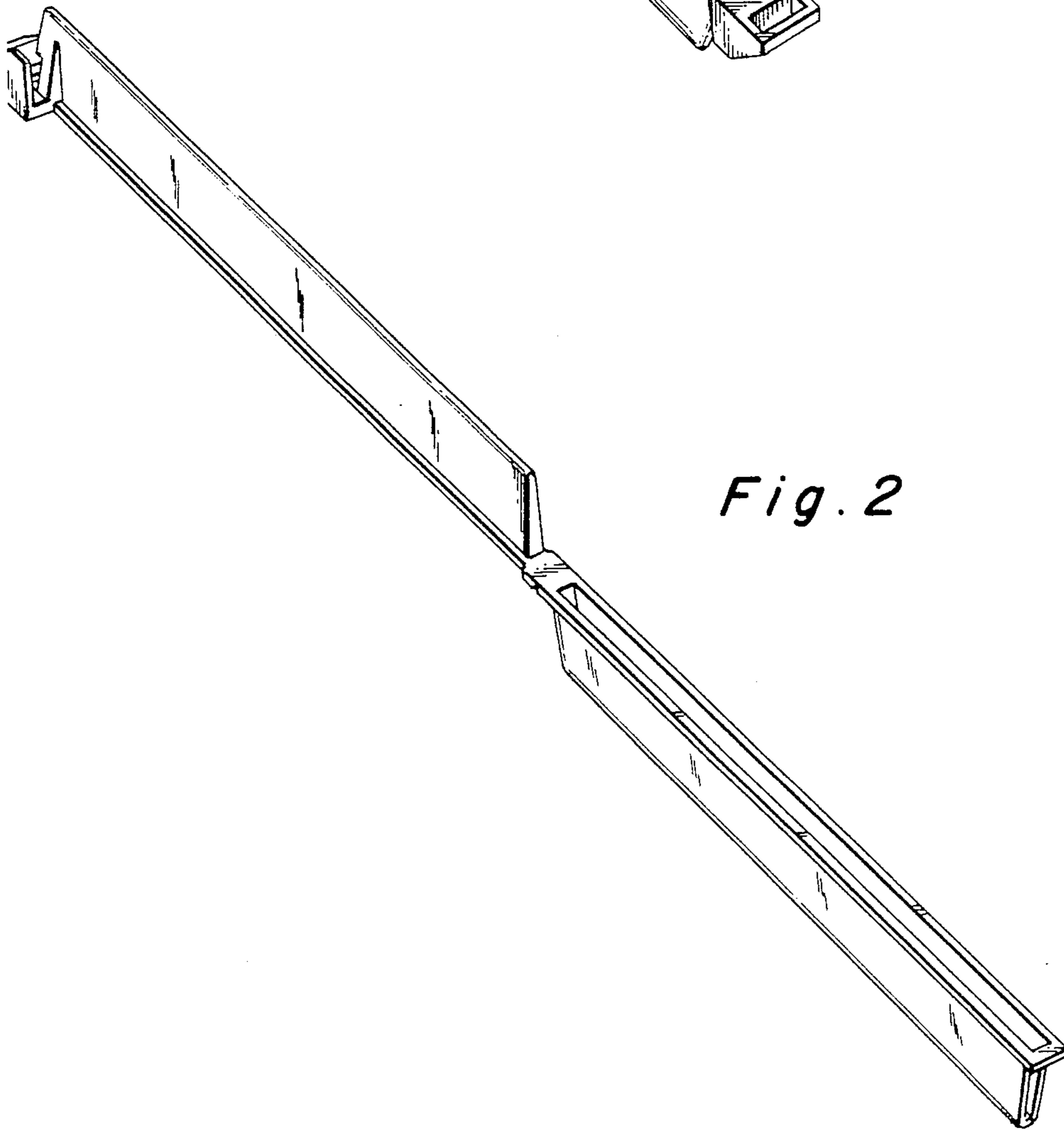
[56] **References Cited**  
**U.S. PATENT DOCUMENTS**

D. 264,689	6/1982	Miller	.....	D9/434
285,908	10/1883	Ludington	.....	383/68
302,920	8/1884	Ludington	.....	383/68
418,547	12/1889	Atkins	.....	141/390 X
T983,001	6/1979	Coffey	.....	383/68 X
1,387,975	8/1921	Goddard	.....	24/30.5 R
1,459,735	6/1923	Kraft	.....	24/30.5 R
3,036,506	5/1962	Andresen	.....	354/64



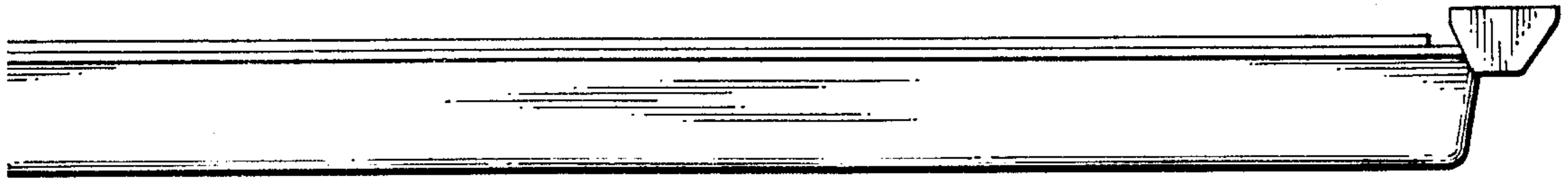


*Fig. 1*

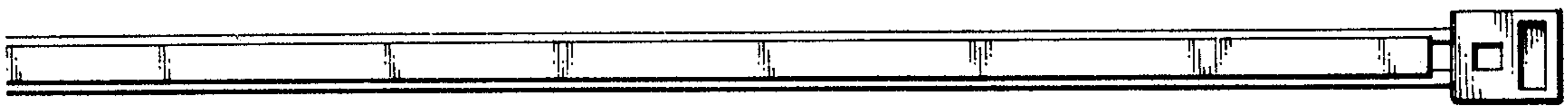


*Fig. 2*

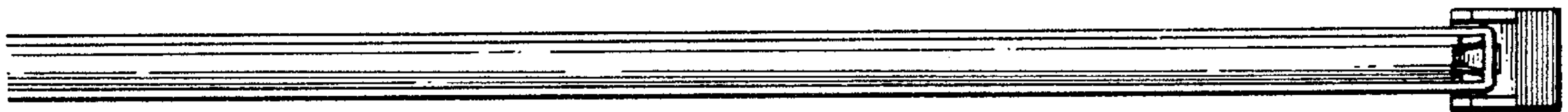
*Fig. 3*



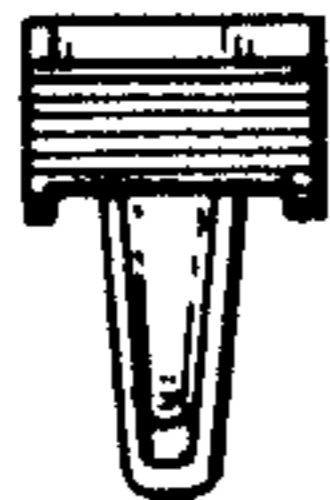
*Fig. 4*



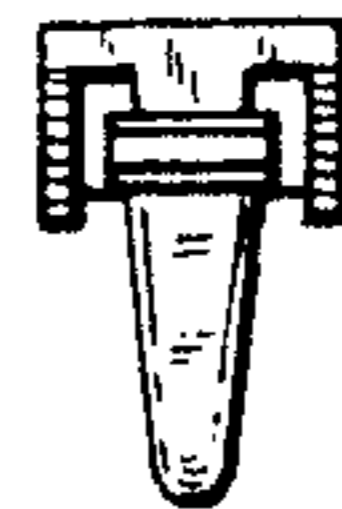
*Fig. 5*



*Fig. 6*



*Fig. 7*



*Fig. 8*

