

[54] DISPENSER FOR ROLLS OF TAPE OR THE LIKE

[75] Inventor: Michael Lobel, Caulfield, Australia

[73] Assignee: Serv-Pack Proprietary Limited, Victoria, Australia

[**] Term: 14 Years

[21] Appl. No.: 389,044

[22] Filed: Jun. 16, 1982

[30] Foreign Application Priority Data

Feb. 5, 1982 [AU] Australia 86417

[52] U.S. Cl. D9/341; D9/426

[58] Field of Search D9/345, 346, 341, 424, D9/426, 429; 206/2.5, 391, 394; D19/67, 68, 69; 225/25, 34, 37, 38; 242/55.3, 55.42; 222/80

[56] References Cited

U.S. PATENT DOCUMENTS

D. 187,007 1/1960 Katz 206/391 X

D. 204,323	4/1966	Bostrom	D9/341
D. 204,505	4/1966	Bostrom	D9/345
3,372,812	3/1968	Parcels	D9/425
3,768,713	10/1973	Lash	225/34
3,948,455	4/1976	Schwartz et al.	206/394 X
4,252,258	2/1981	Plummer	242/55.3 X
4,262,835	4/1981	Wrobel	225/38 X

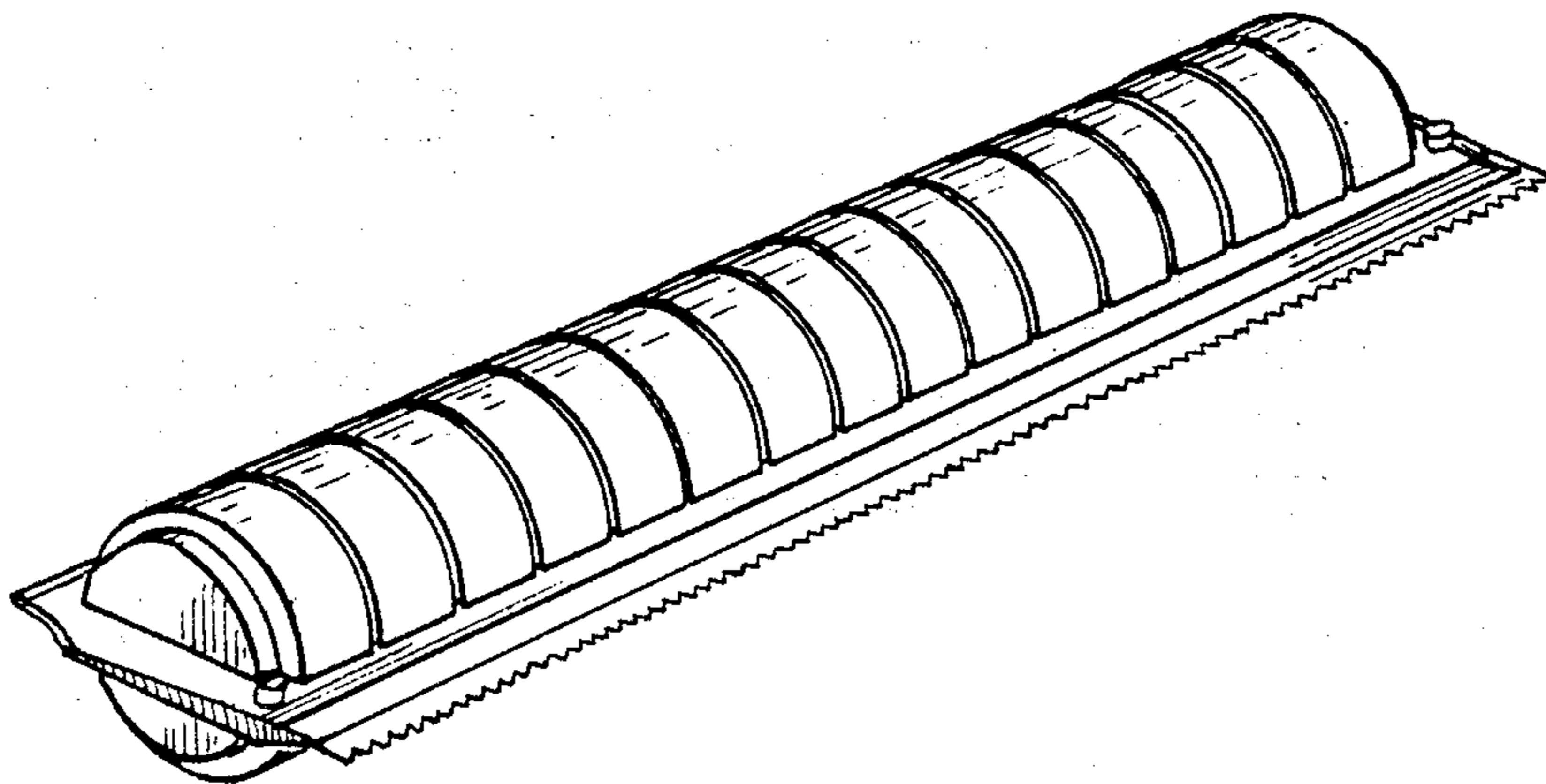
Primary Examiner—Robert C. Spangler
Attorney, Agent, or Firm—Dennison, Meserole, Pollack & Scheiner

[57] CLAIM

The ornamental design of a dispenser for rolls of tape or the like, as shown and described.

DESCRIPTION

FIG. 1 is a top front perspective view of a dispenser for rolls of tape or the like showing my new design; FIG. 2 is a bottom rear perspective view; FIG. 3 is a side elevational view; FIG. 4 is a view similar to FIG. 3 but with the lid partially open; and FIG. 5 is a top plan view thereof.



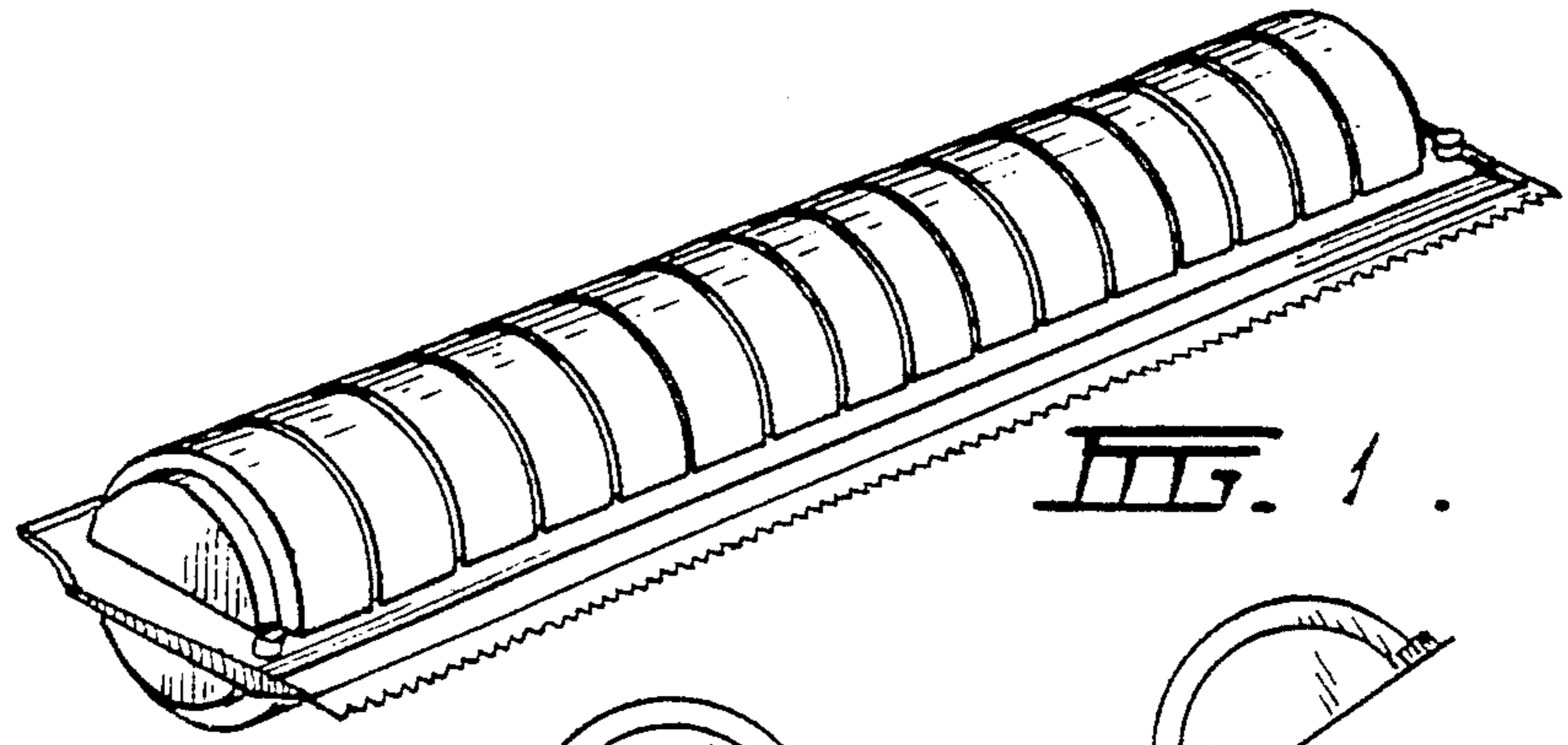


FIG. 1.

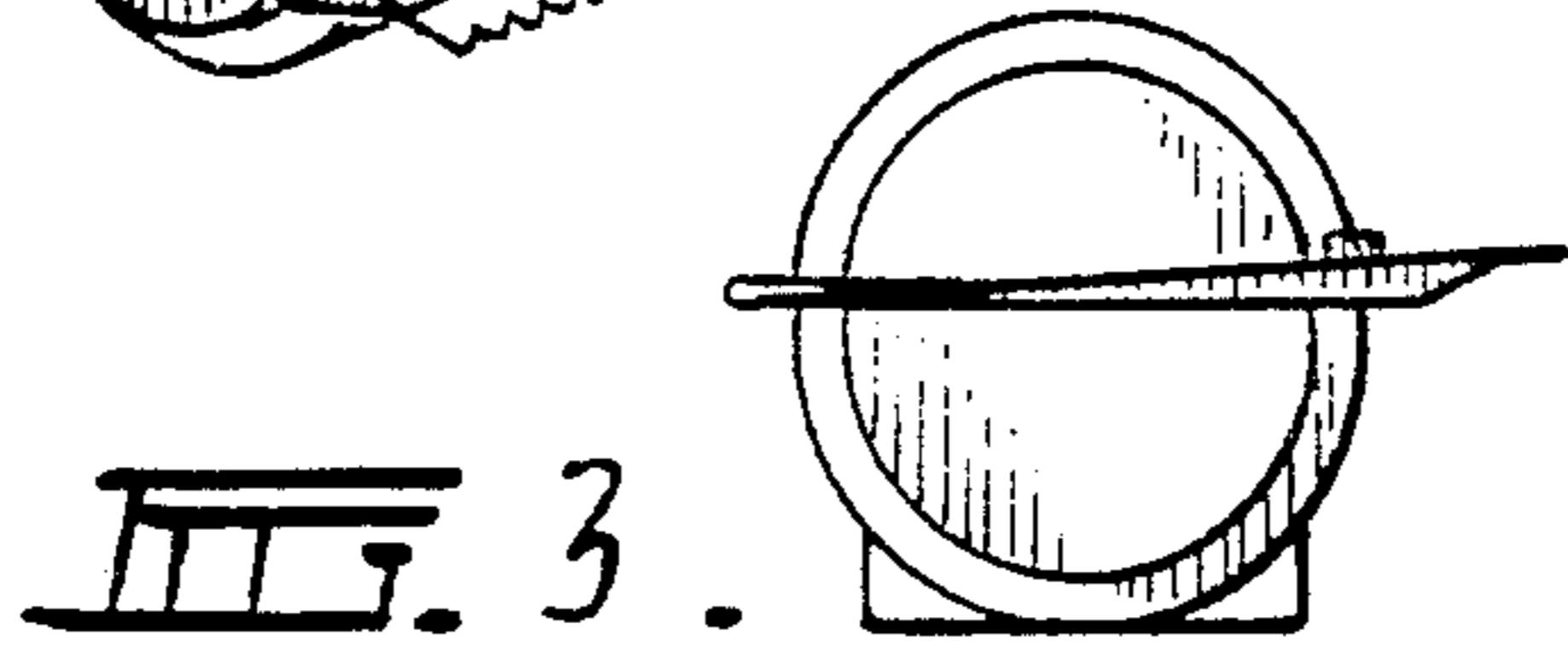


FIG. 3.

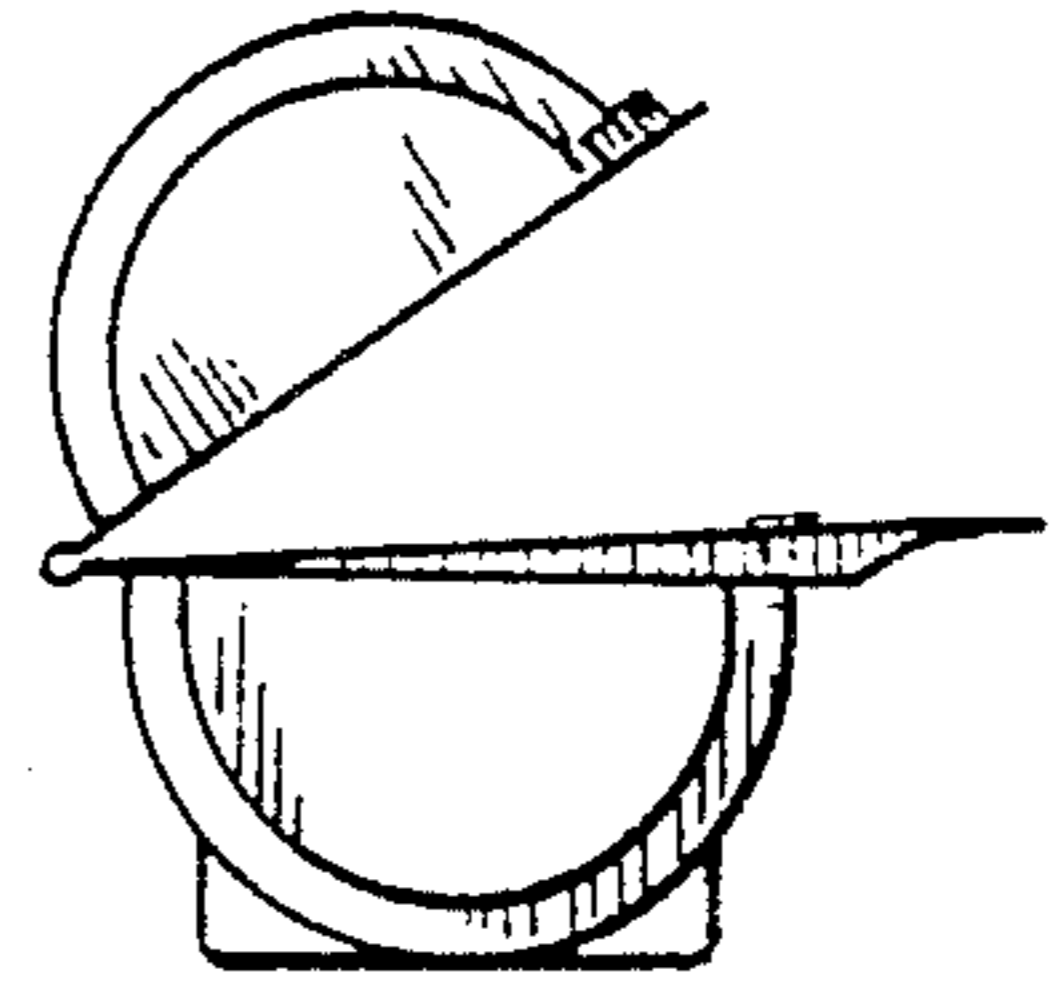


FIG. 4.

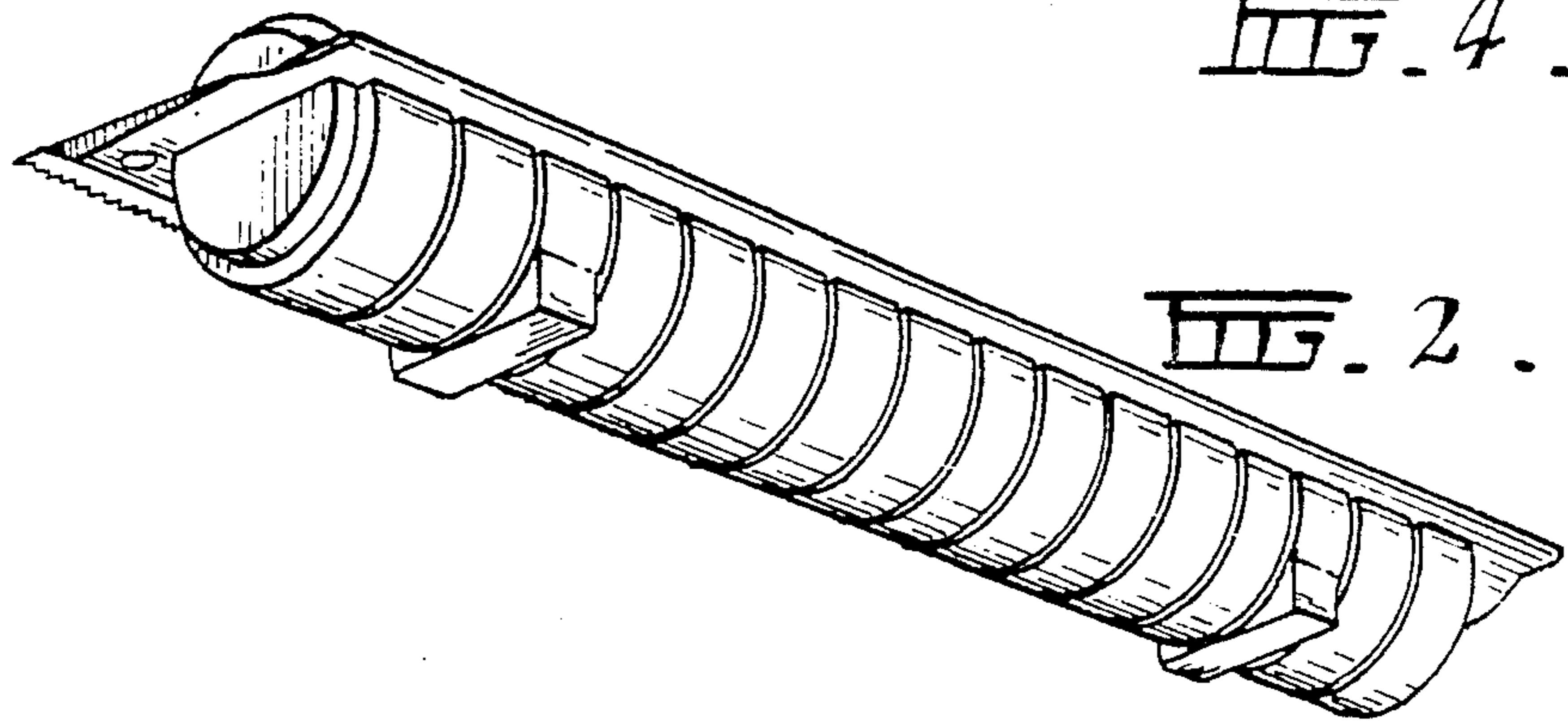


FIG. 2.

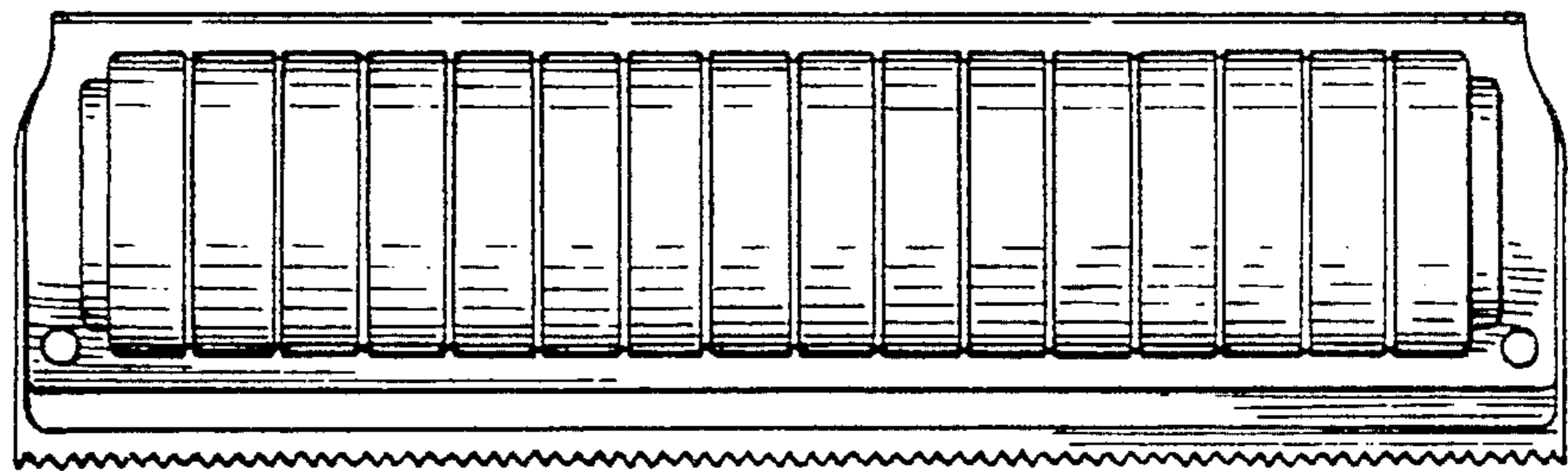


FIG. 5.