

[54] HAND OPERATED MEAT TENDERIZER

[75] Inventor: Andre R. Jaccard, Holland, N.Y.

[73] Assignee: Jaccard Corporation, Orchard Park, N.Y.

[*] Notice: The portion of the term of this patent subsequent to Dec. 11, 1998 has been disclaimed.

[**] Term: 14 Years

[21] Appl. No.: 378,102

[22] Filed: May 14, 1982

[52] U.S. Cl. D7/101; D7/382

[58] Field of Search D7/382, 381, 101; 17/25, 28, 30, 31

[56] References Cited

U.S. PATENT DOCUMENTS

D. 229,274 11/1973 Allinquant et al. D7/101
3,900,918 8/1975 Allinquant et al. 17/25

FOREIGN PATENT DOCUMENTS

816396 8/1937 France 17/28
1585702 1/1970 France 17/25

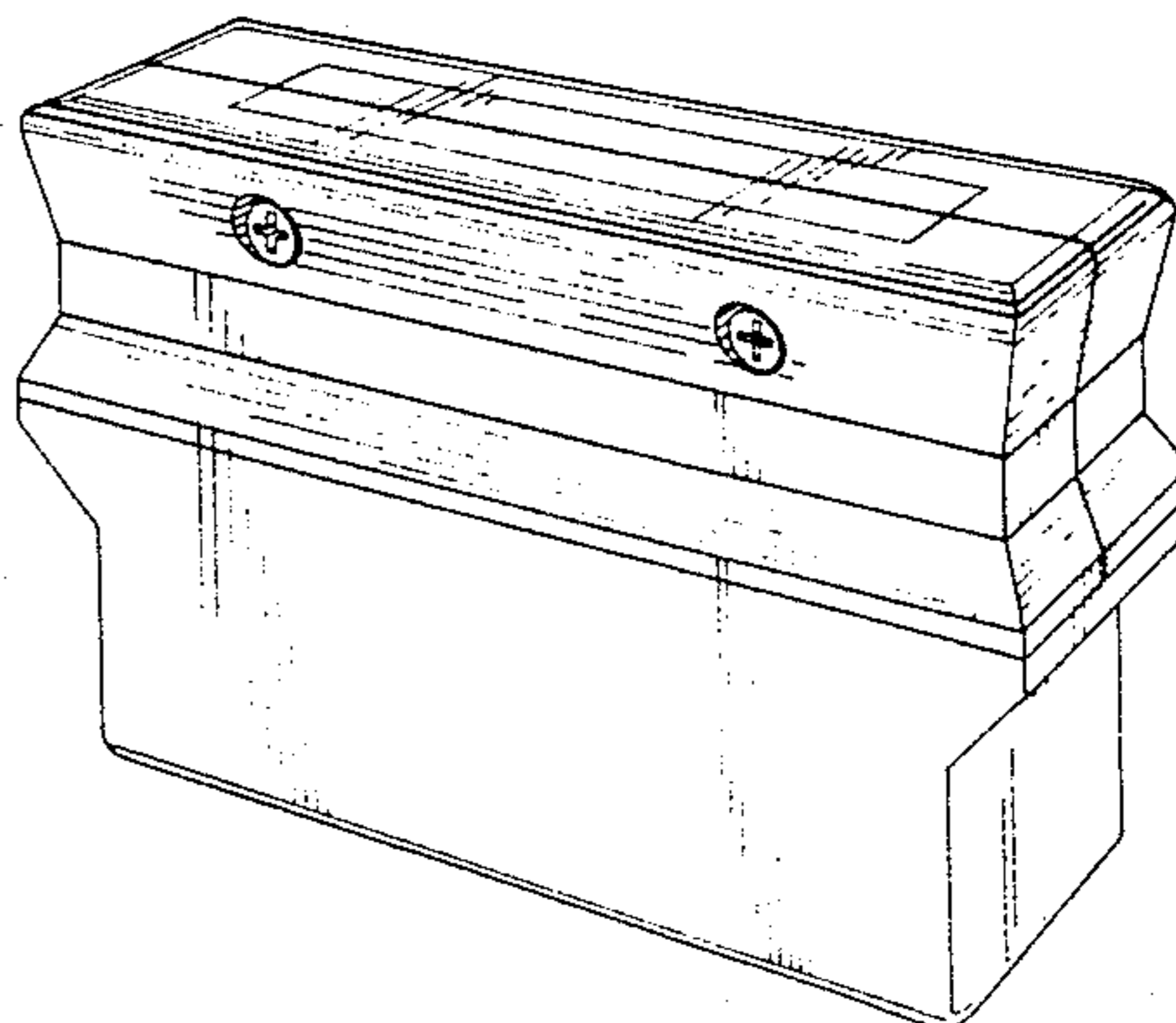
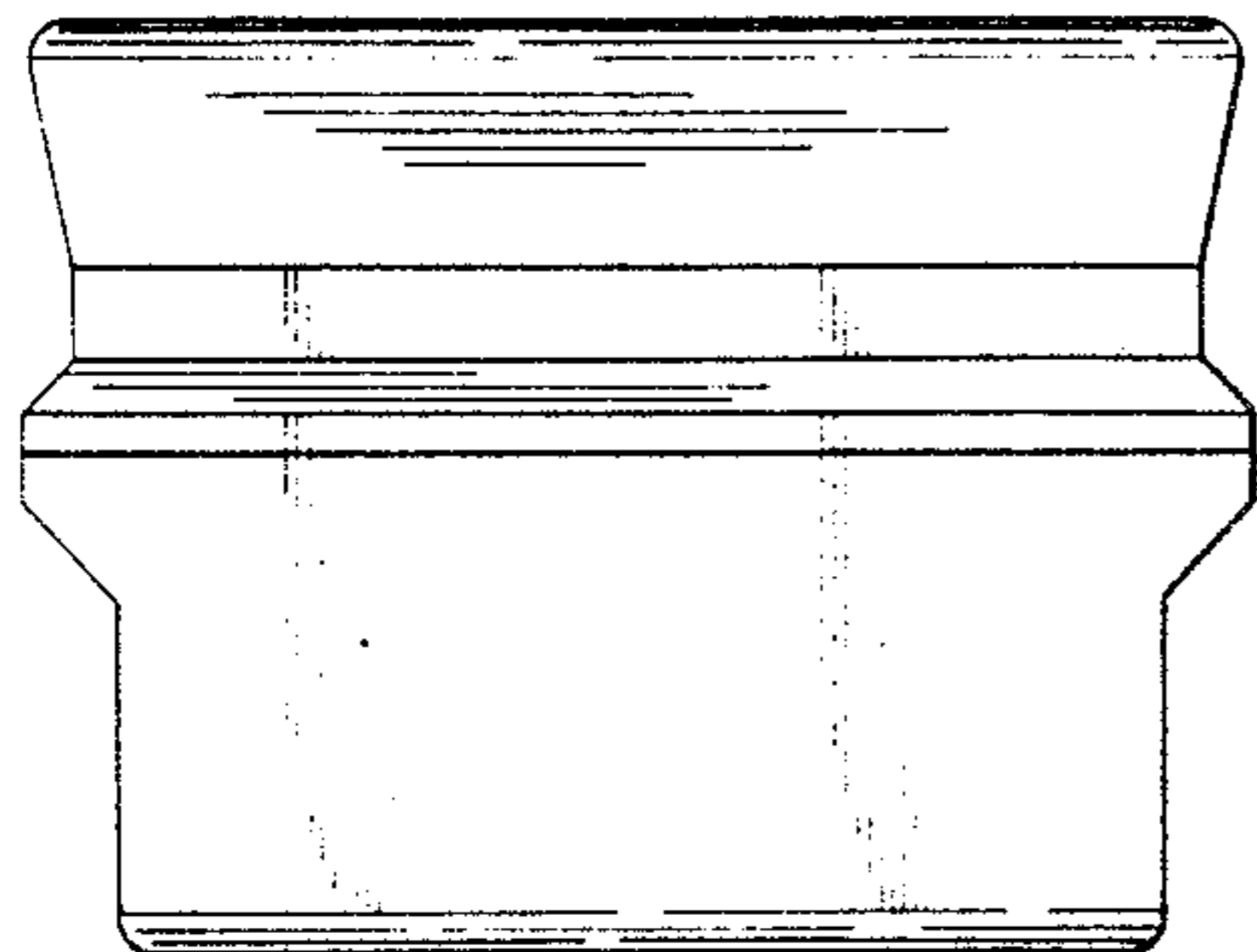
Primary Examiner—Winifred E. Herrmann
Attorney, Agent, or Firm—James J. Ralabate

[57] CLAIM

The ornamental design for a hand operated meat tenderizer, as shown and described.

DESCRIPTION

FIG. I is a front elevational view of a hand operated meat tenderizer showing my new design;
FIG. II is a right end elevational view thereof;
FIG. III is a top rear perspective view showing the left end of my new design.



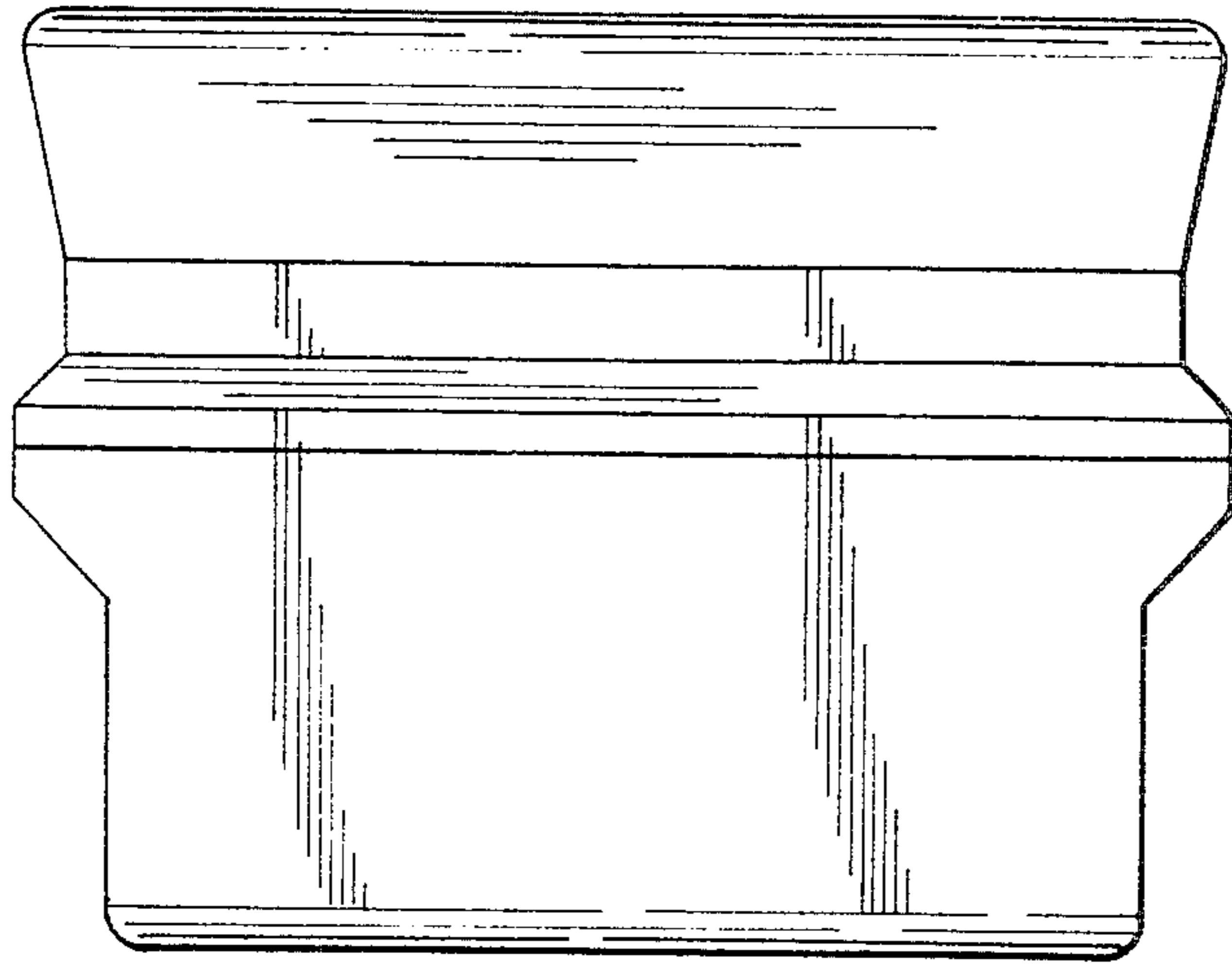


Fig. 1

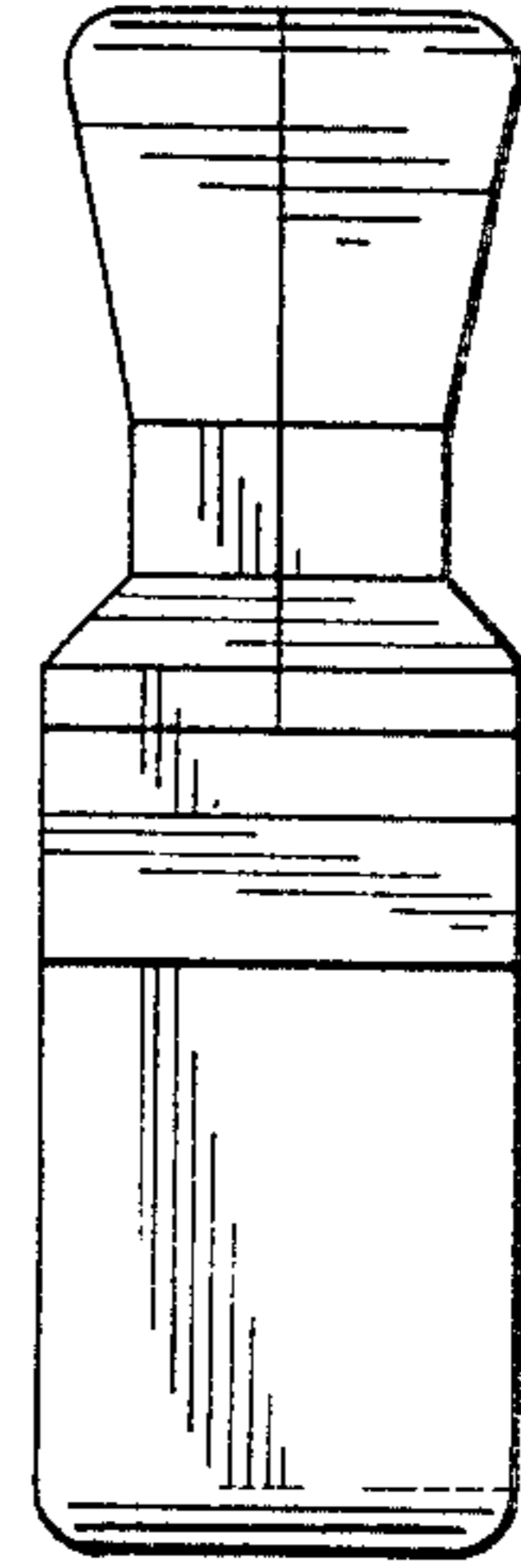


Fig. 2

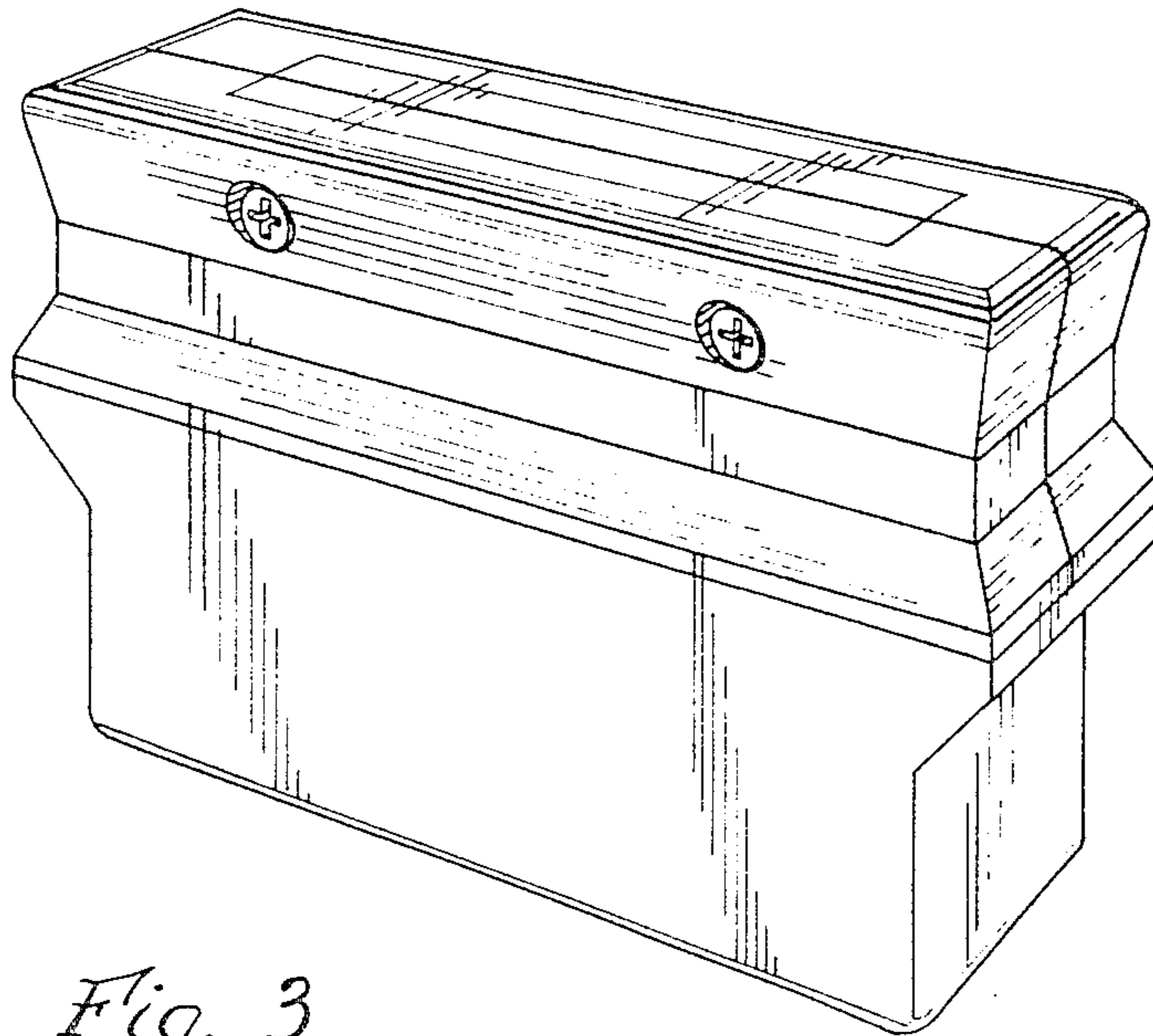


Fig. 3