

[54] **FILM DISPENSER**

[75] **Inventors:** **Marc J. Gordon**, Boston, Mass.;
Joseph J. Davis, Lima, Ohio

[73] **Assignee:** **RGG, Inc.**, Boston, Mass.

[**] **Term:** **14 Years**

[21] **Appl. No.:** **348,431**

[22] **Filed:** **Feb. 12, 1982**

[52] **U.S. Cl.** **D6/408; D6/432;**
D6/518

[58] **Field of Search** **D6/167, 181, 96;**
D10/46, 96; D9/420, 432

[56] **References Cited**

U.S. PATENT DOCUMENTS

- D. 208,102 7/1967 Brandon D6/96
- D. 236,226 8/1975 Jamois et al. D6/96
- D. 247,393 2/1978 Lowry D6/167 X

- D. 261,234 10/1981 Abraham D9/432
- D. 261,623 11/1981 Collister et al. D10/46

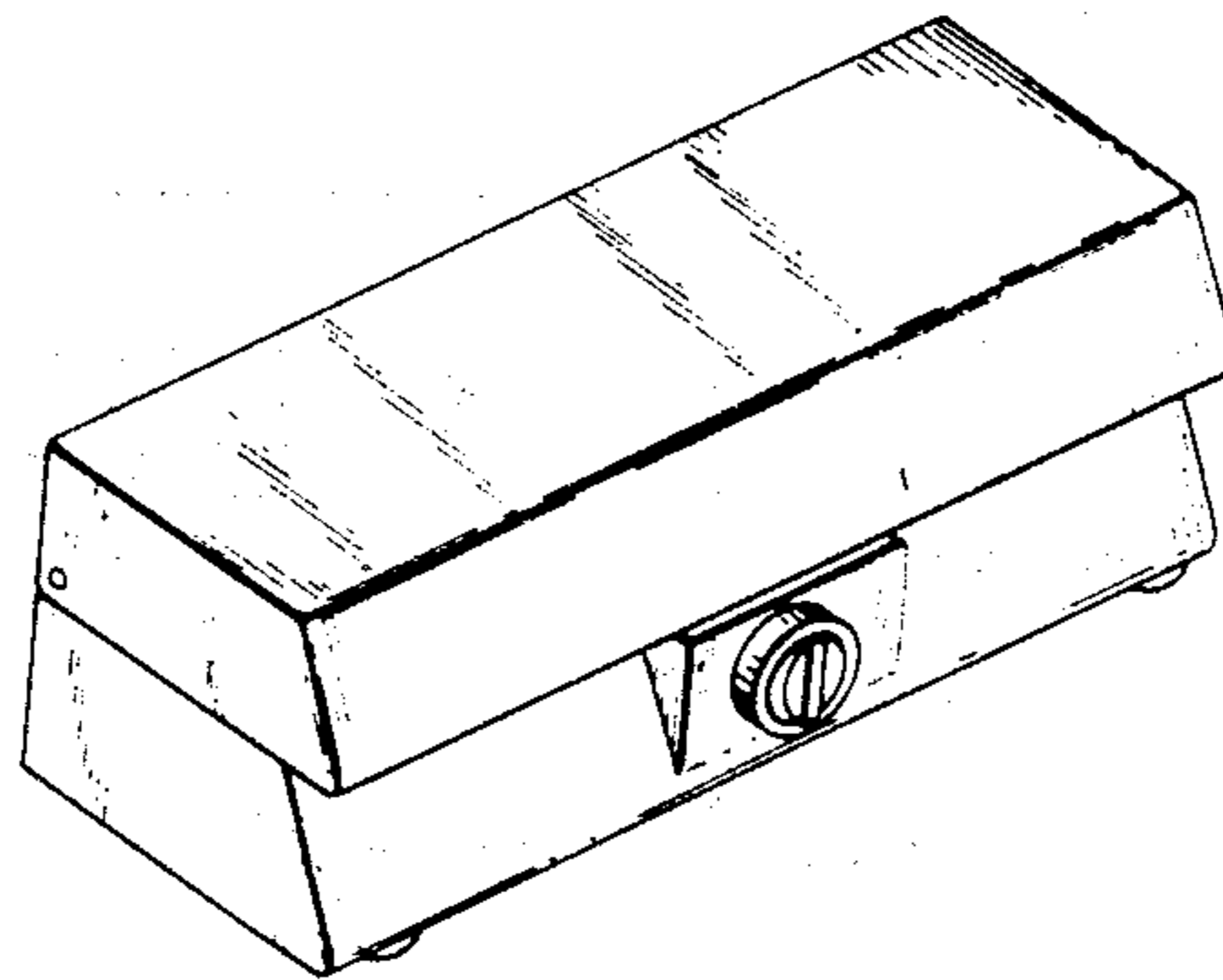
Primary Examiner—Bruce W. Dunkins
Attorney, Agent, or Firm—Cesari and McKenna

[57] **CLAIM**

The ornamental design for a film dispenser, substantially as shown.

DESCRIPTION

FIG. 1 is a perspective view of a film dispenser embodying the ornamental features of the new design, showing the dispenser in its closed condition;
FIG. 2 is a similar view showing the dispenser in its open condition;
FIG. 3 is an end elevational view thereof;
FIG. 4 is a rear elevational view thereof;
FIG. 5 is a front elevational view thereof;
FIG. 6 is a top view thereof; and
FIG. 7 is a bottom view thereof.



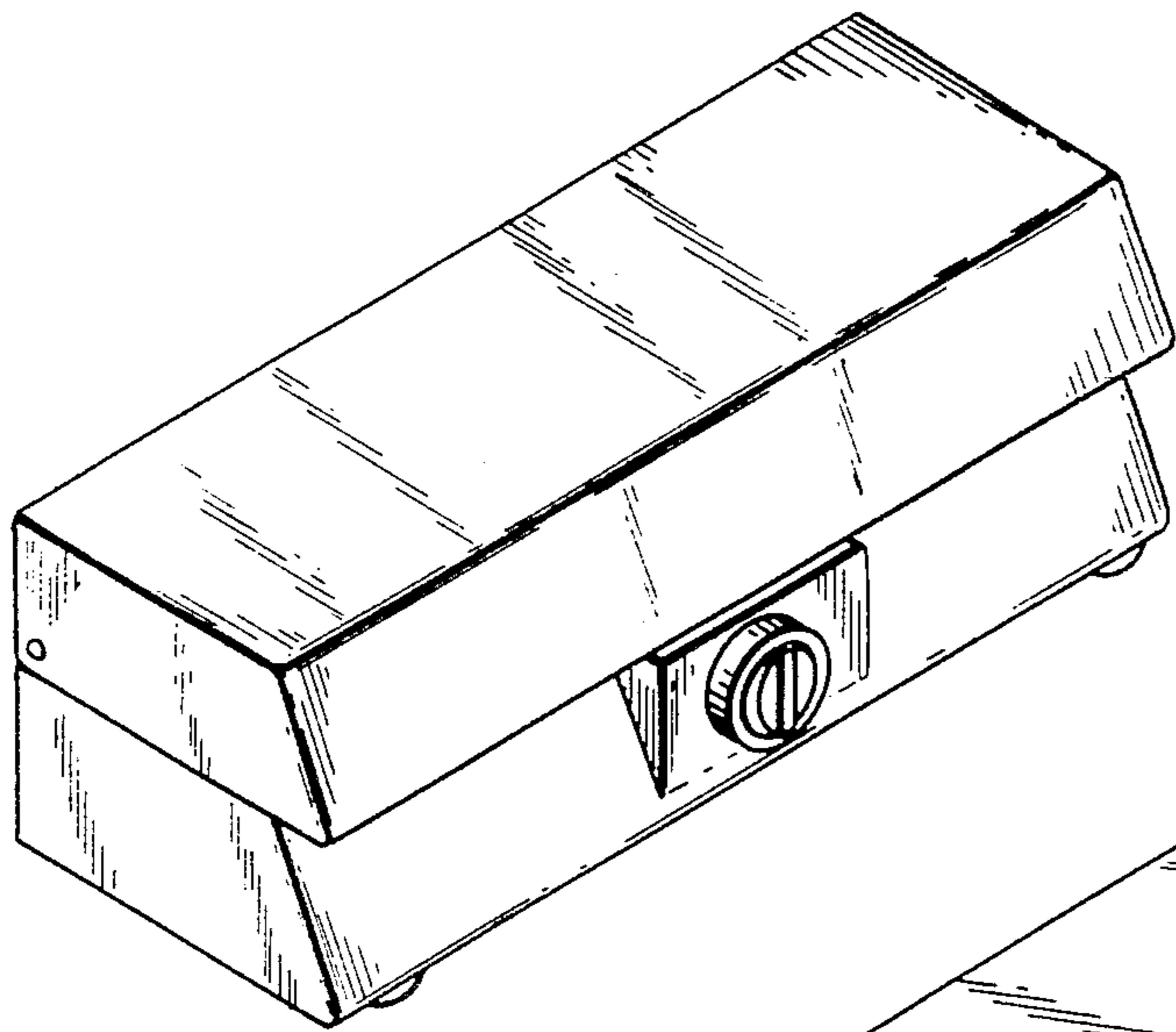


FIG. 1

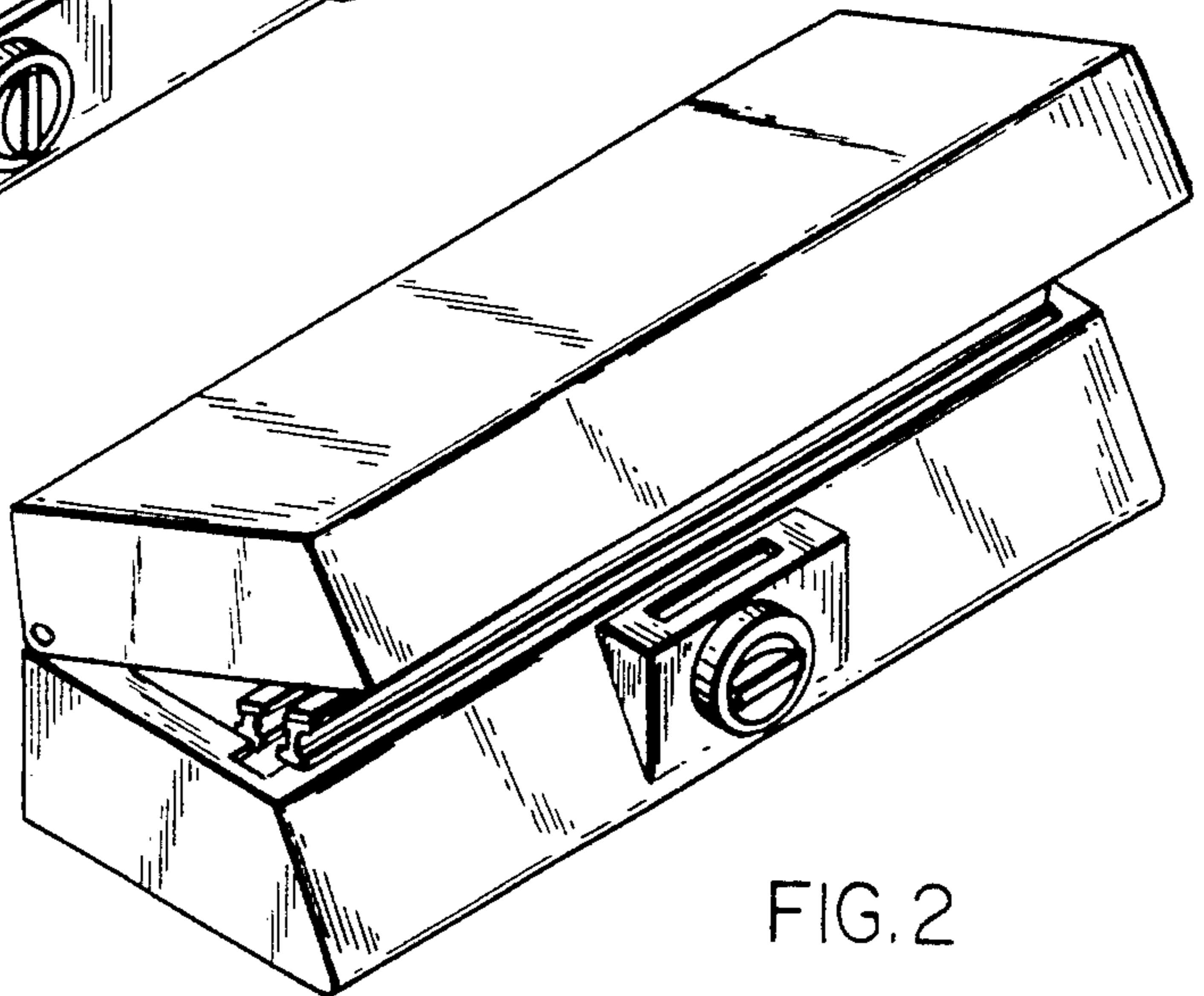


FIG. 2

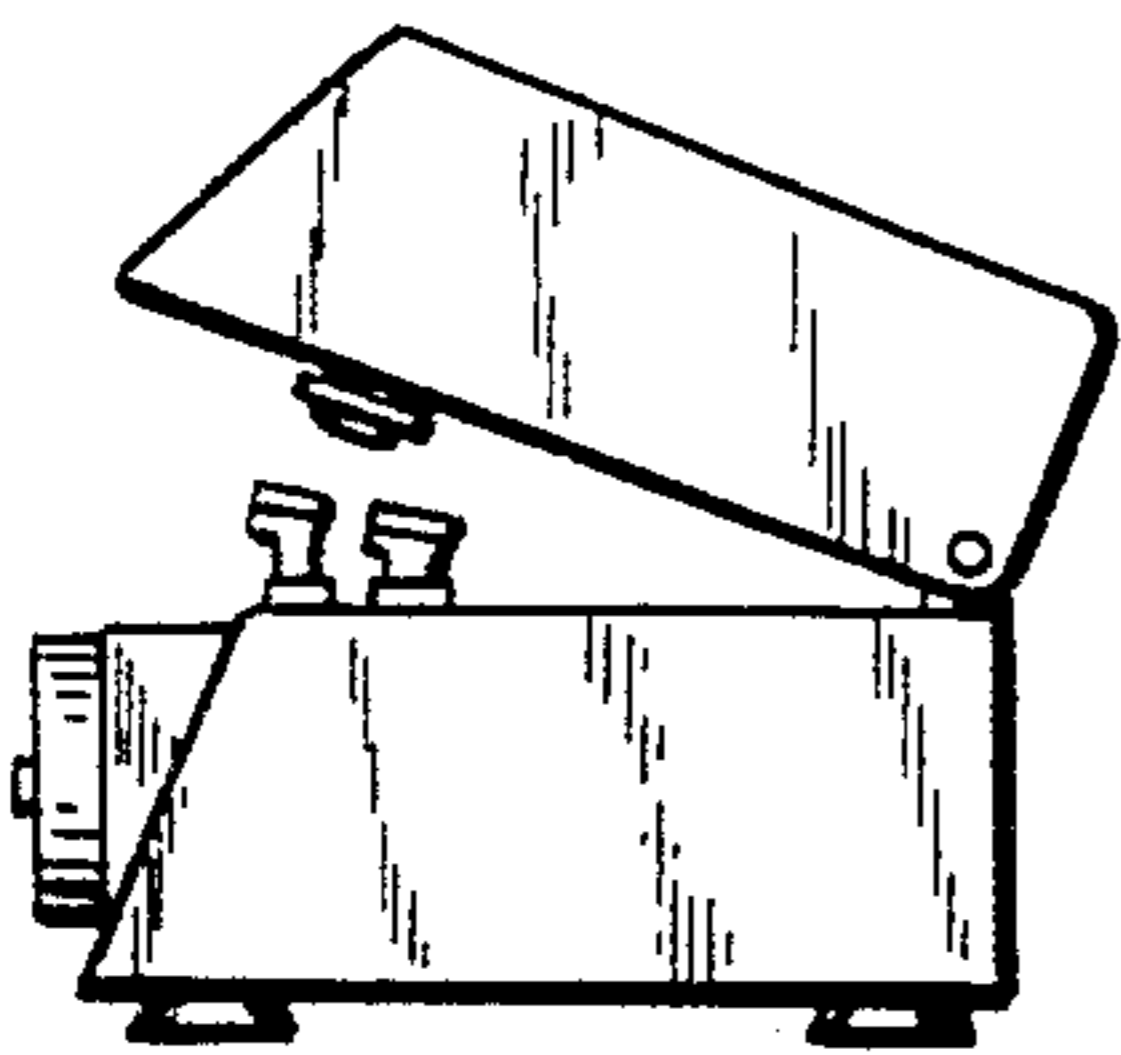


FIG. 3

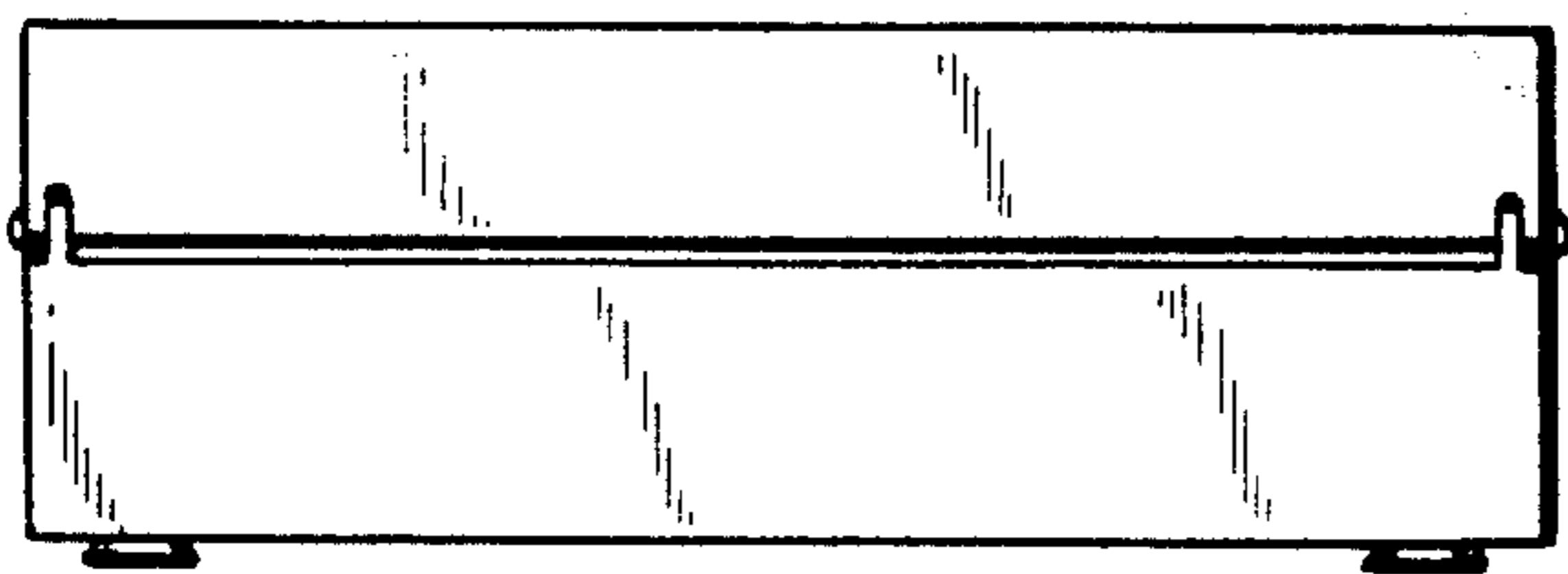


FIG. 4

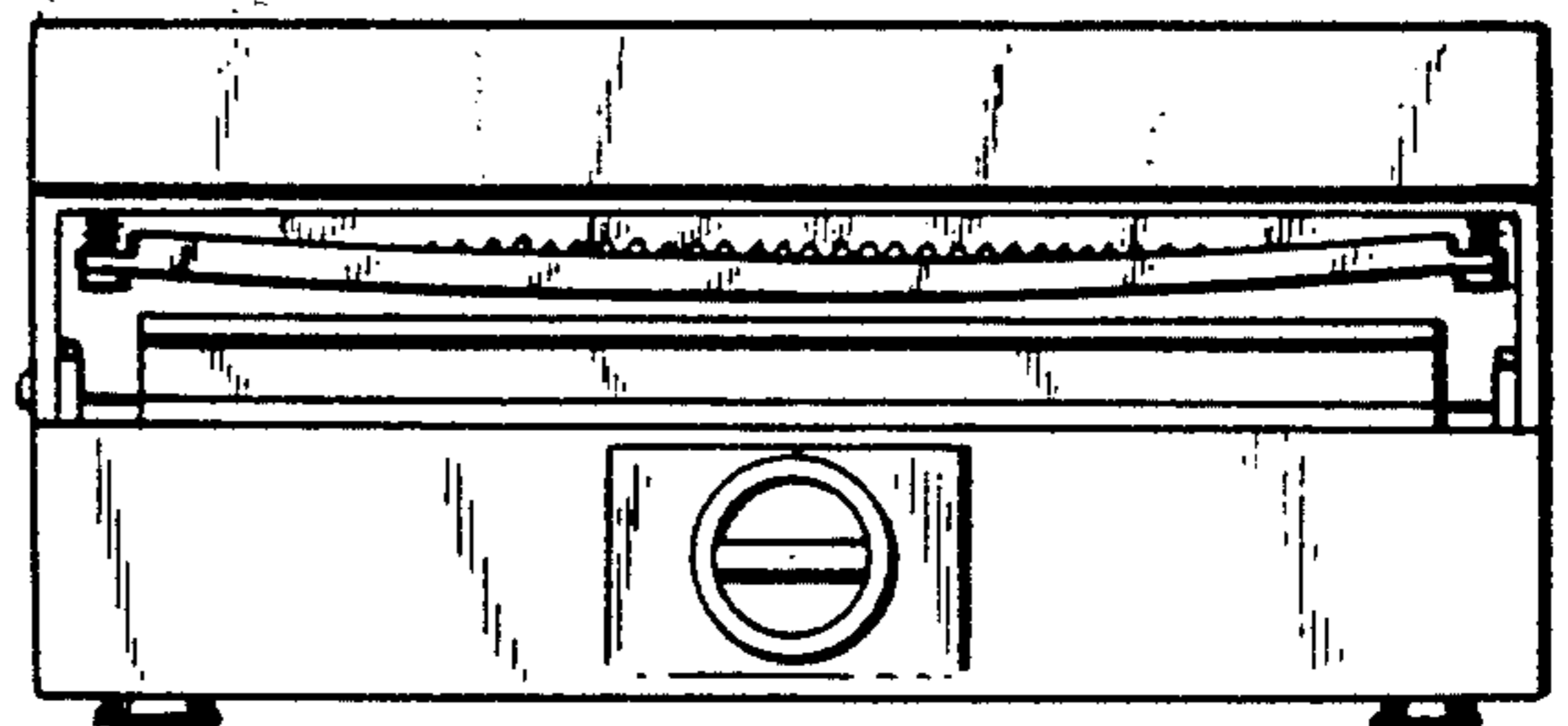


FIG. 5

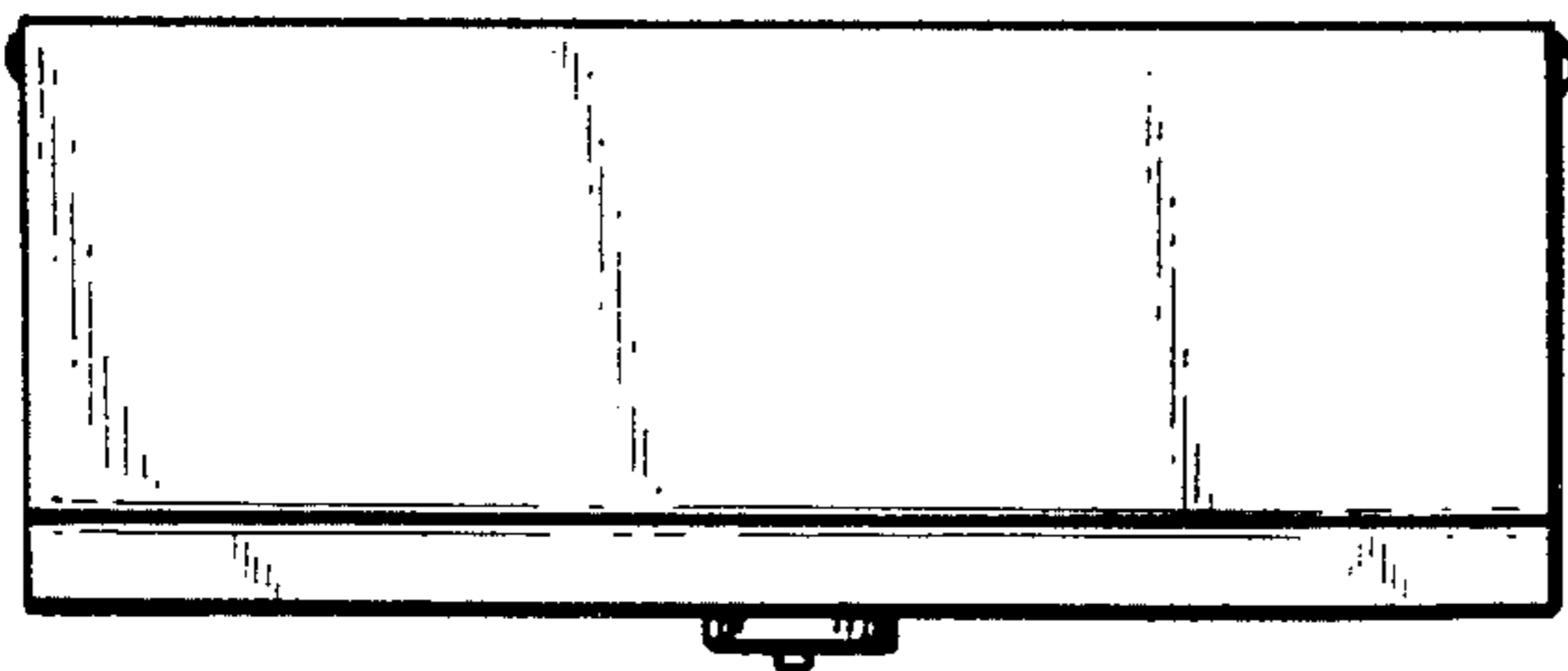


FIG. 6

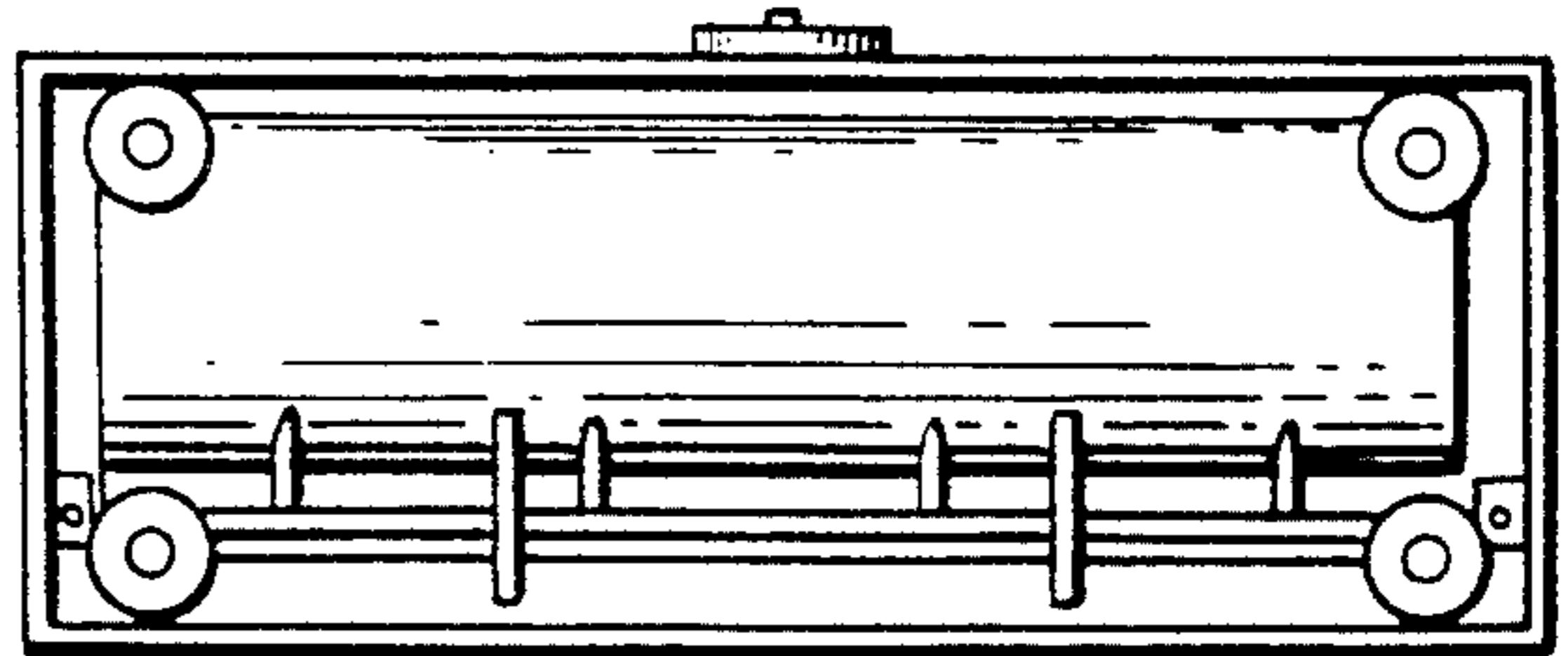


FIG. 7