

[54] ACOUSTICAL ENCLOSURE FOR A PRINTER

[75] Inventor: Alfred Kwiecinski, Fairfield, Ohio

[73] Assignee: Hamilton Sorter Co., Inc., Fairfield, Ohio

[**] Term: 14 Years

[21] Appl. No.: 291,268

[22] Filed: Aug. 10, 1981

[52] U.S. Cl. D14/114; D6/433; D6/472

[58] Field of Search D6/150, 167, 168, 172, D6/175, 173; 312/297; D14/107, 111, 114; D18/1, 2, 11, 13, 22, 23; 217/62, 63; 400/690; 690.1, 690.4

[56] References Cited

U.S. PATENT DOCUMENTS

2,722,469 11/1955 Kosovsky 312/297 X

OTHER PUBLICATIONS

The Office Aug. 1979, p. 137; Jensen Engineering, Inc., Acoustical Cover top center of page.

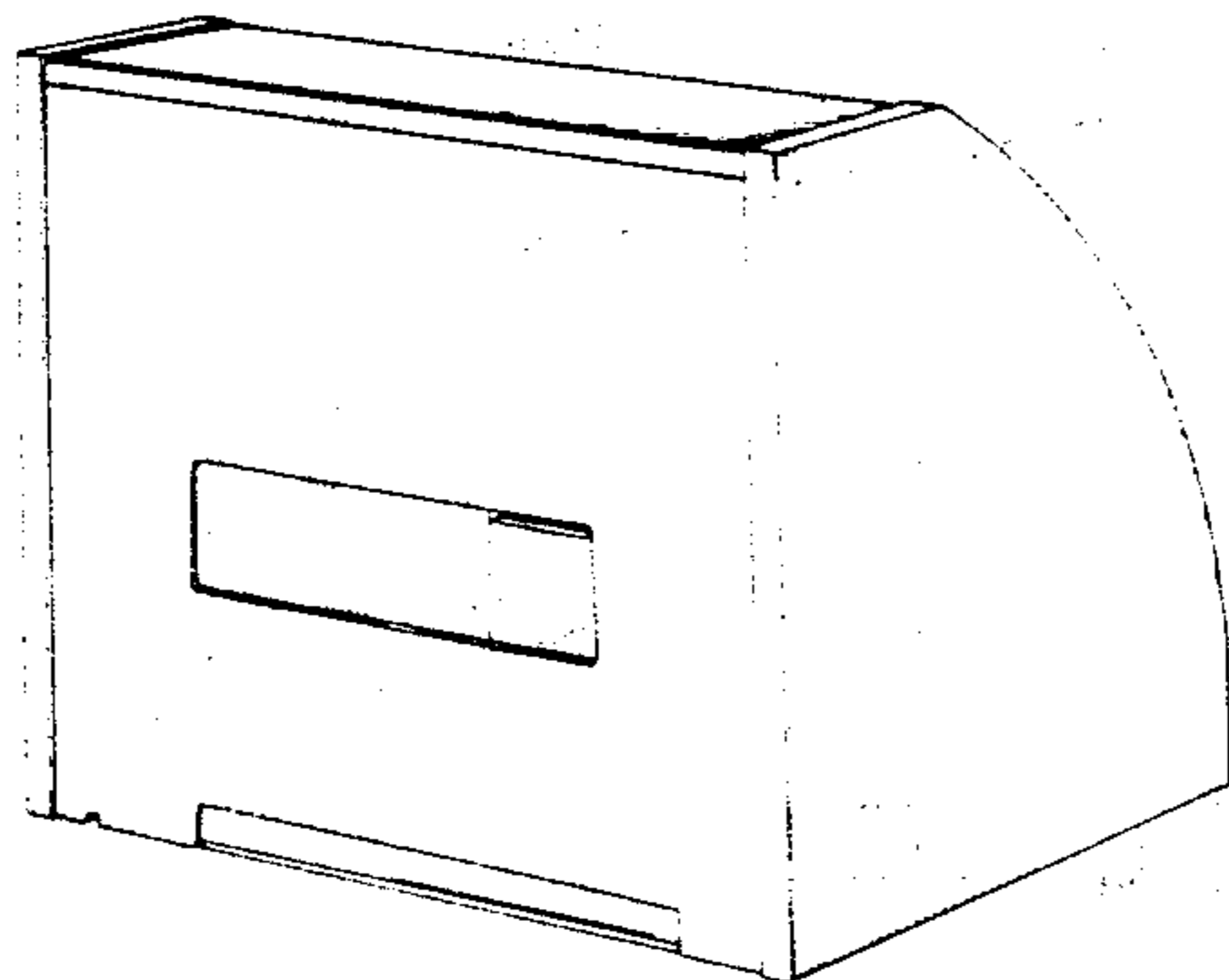
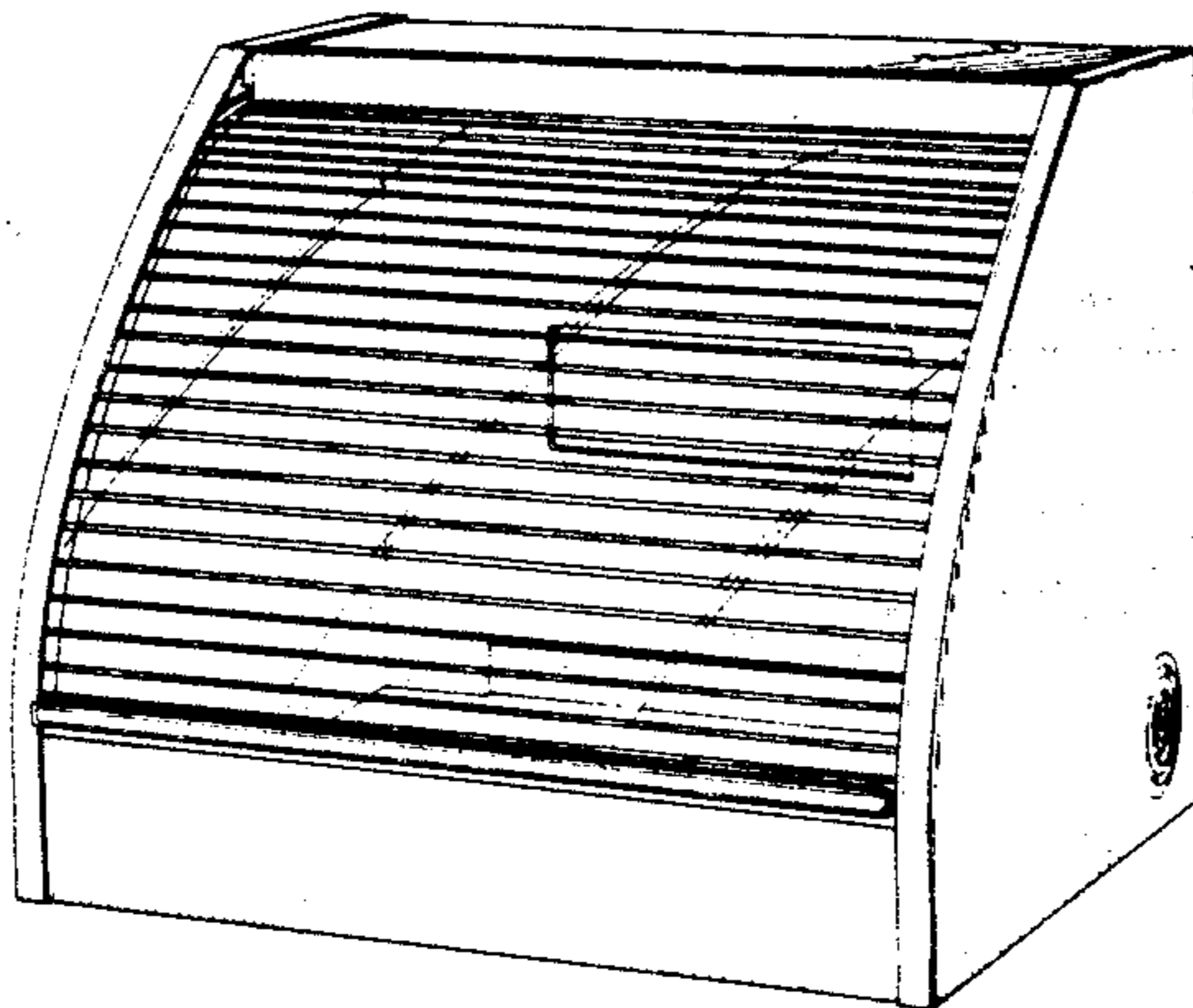
Primary Examiner—Bernard Ansher
Assistant Examiner—Carmen H. Vales
Attorney, Agent, or Firm—Frost & Jacobs

[57] CLAIM

The ornamental design for an acoustical enclosure for a printer, as shown and described.

DESCRIPTION

FIG. 1 is a front perspective view of an acoustical enclosure for a printer embodying my new design; FIG. 2 is a rear perspective view thereof; FIG. 3 is a front elevational view thereof; FIG. 4 is a rear elevational view thereof; FIG. 5 is a side elevational view taken from the right side of FIG. 3; FIG. 6 is a side elevational view taken from the left side of FIG. 3; FIG. 7 is a top view thereof; and FIG. 8 is a bottom view thereof.



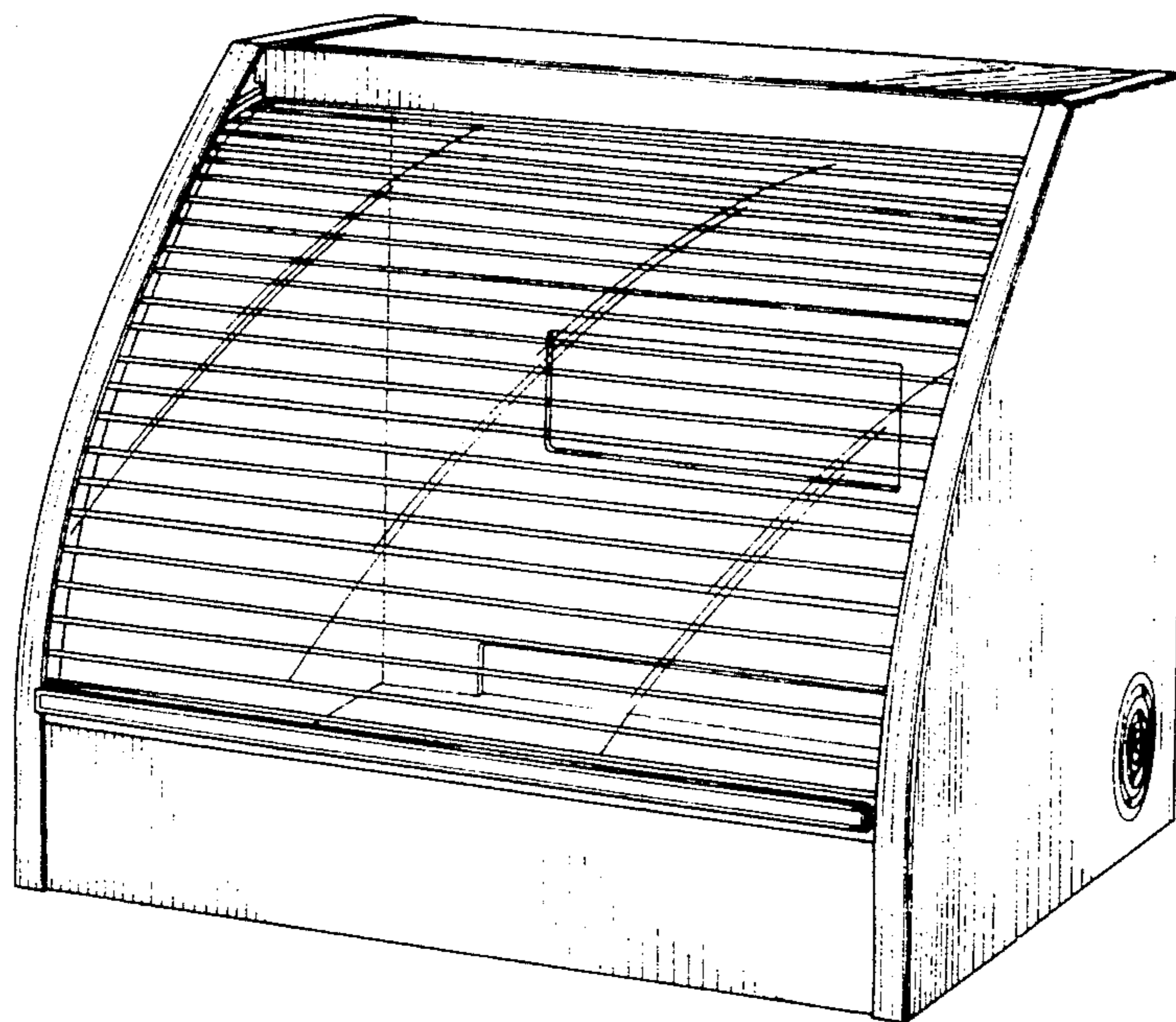


FIG 1

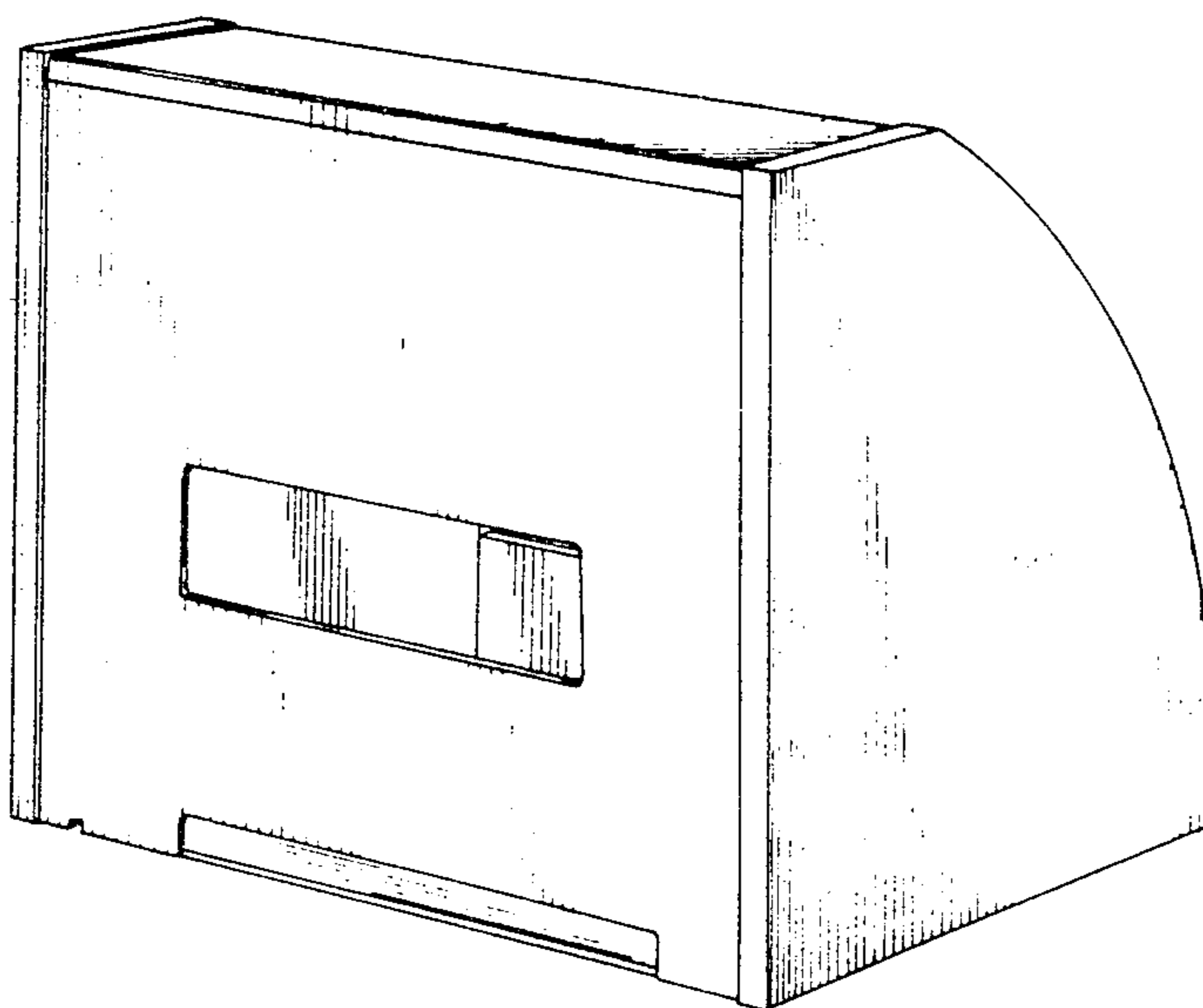


FIG 2

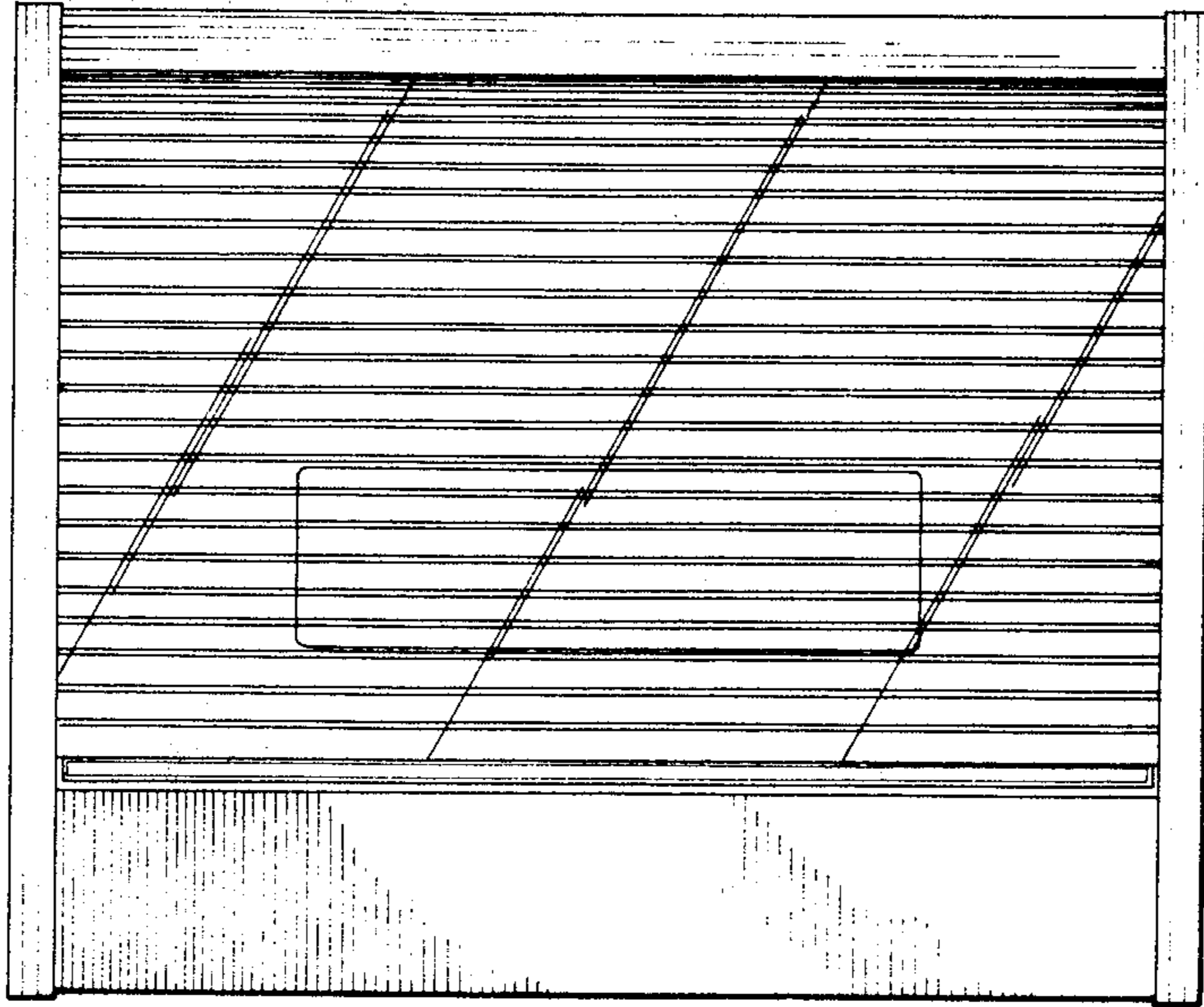


FIG 3

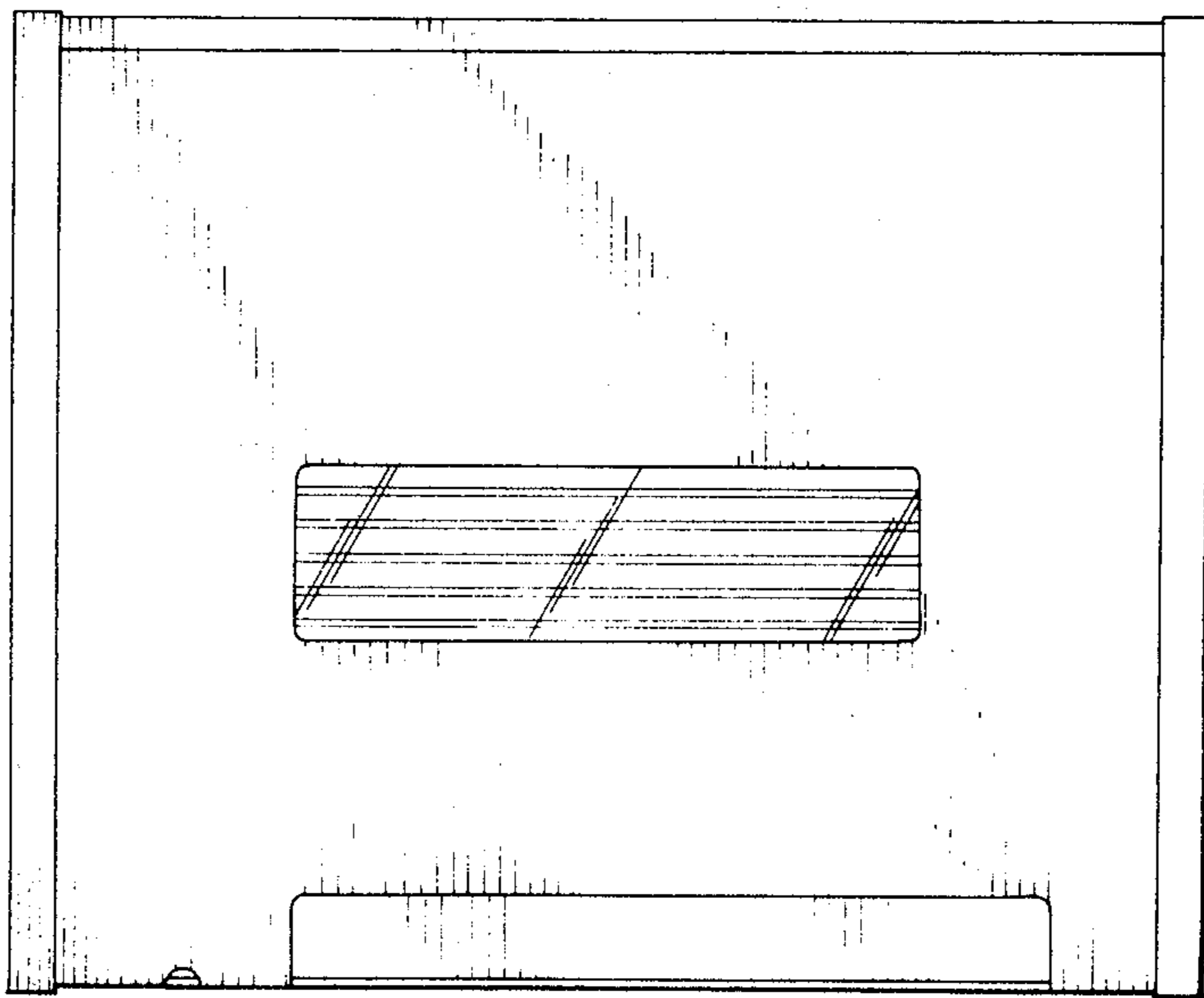


FIG 4

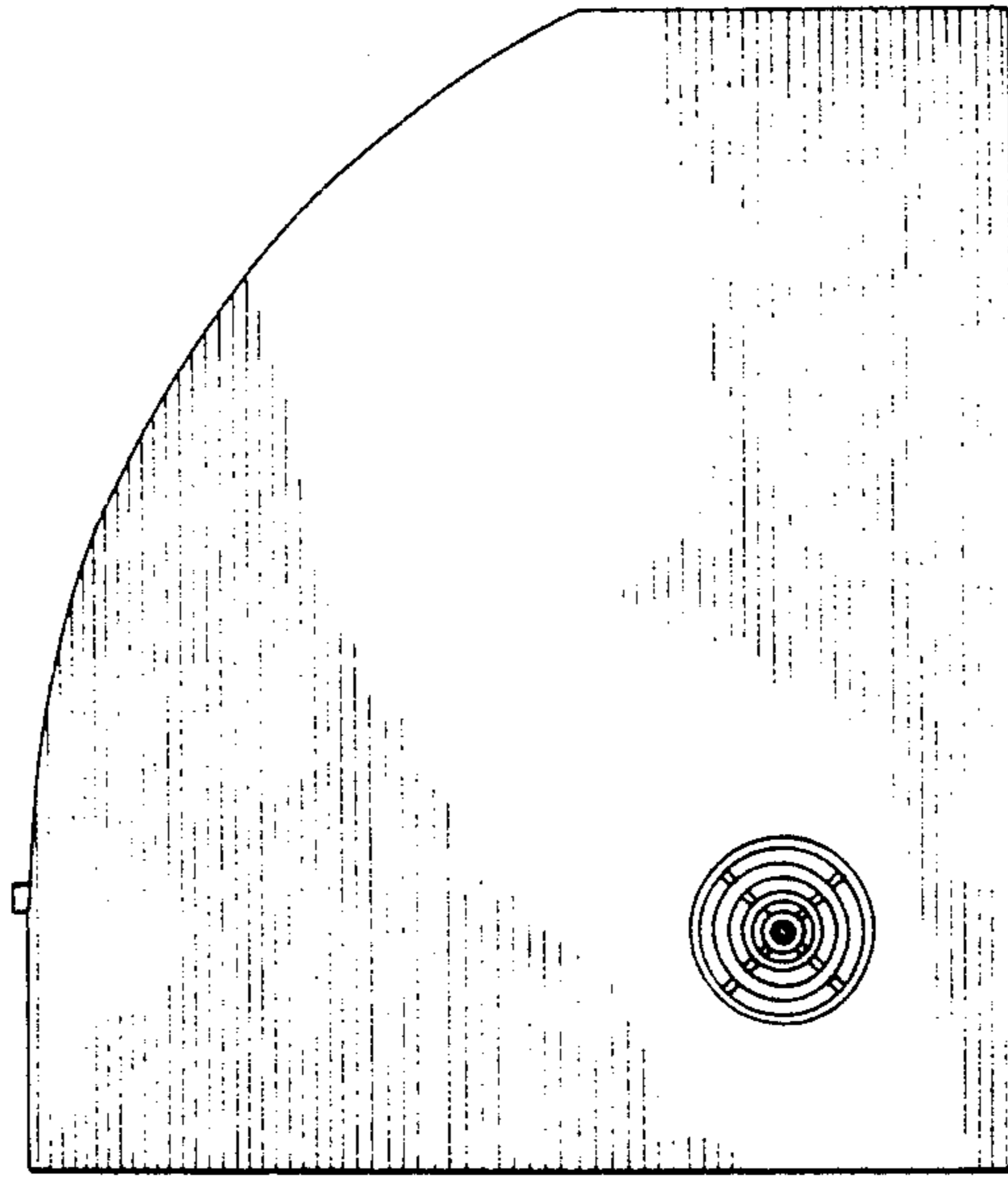


FIG 5

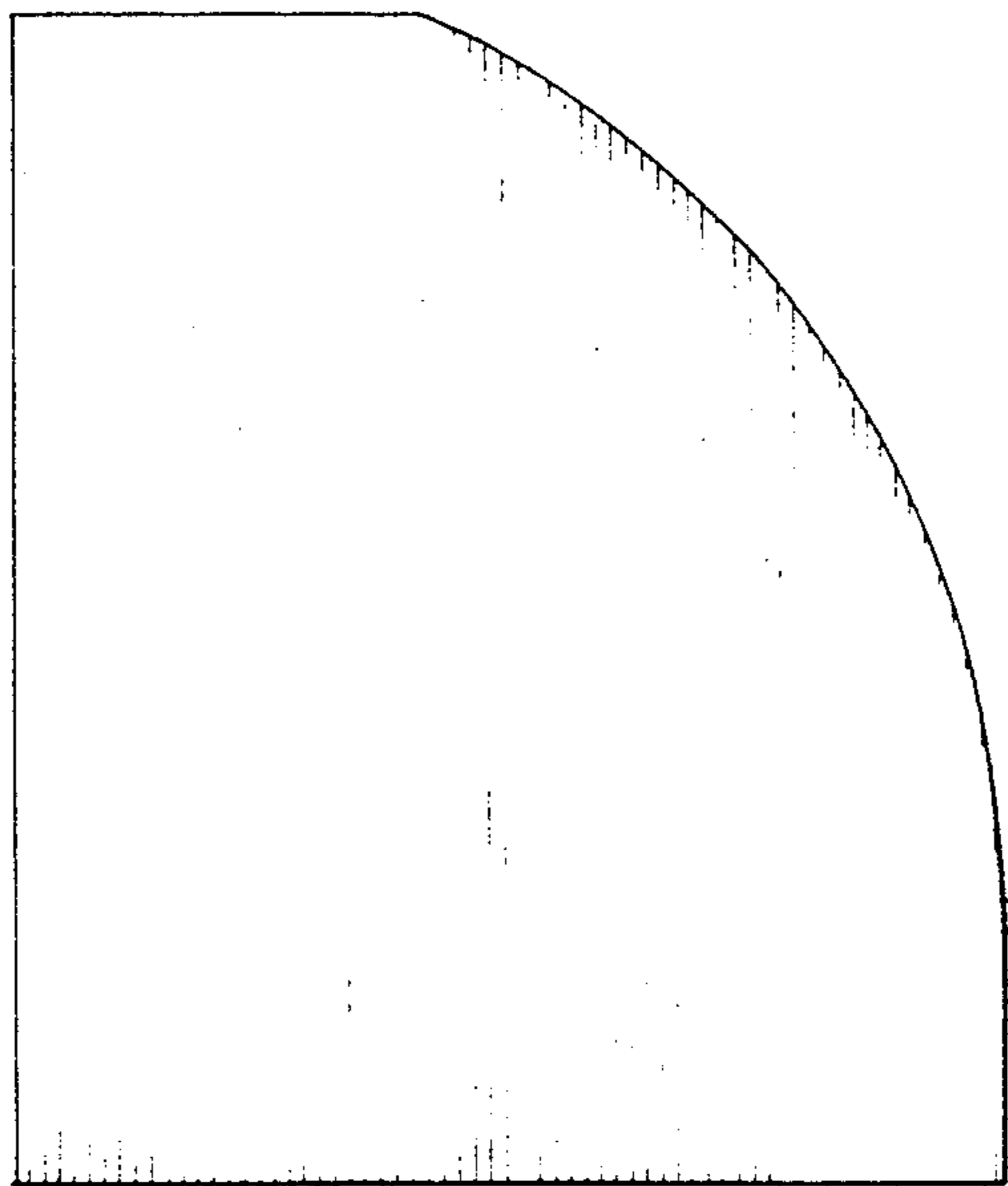


FIG 6

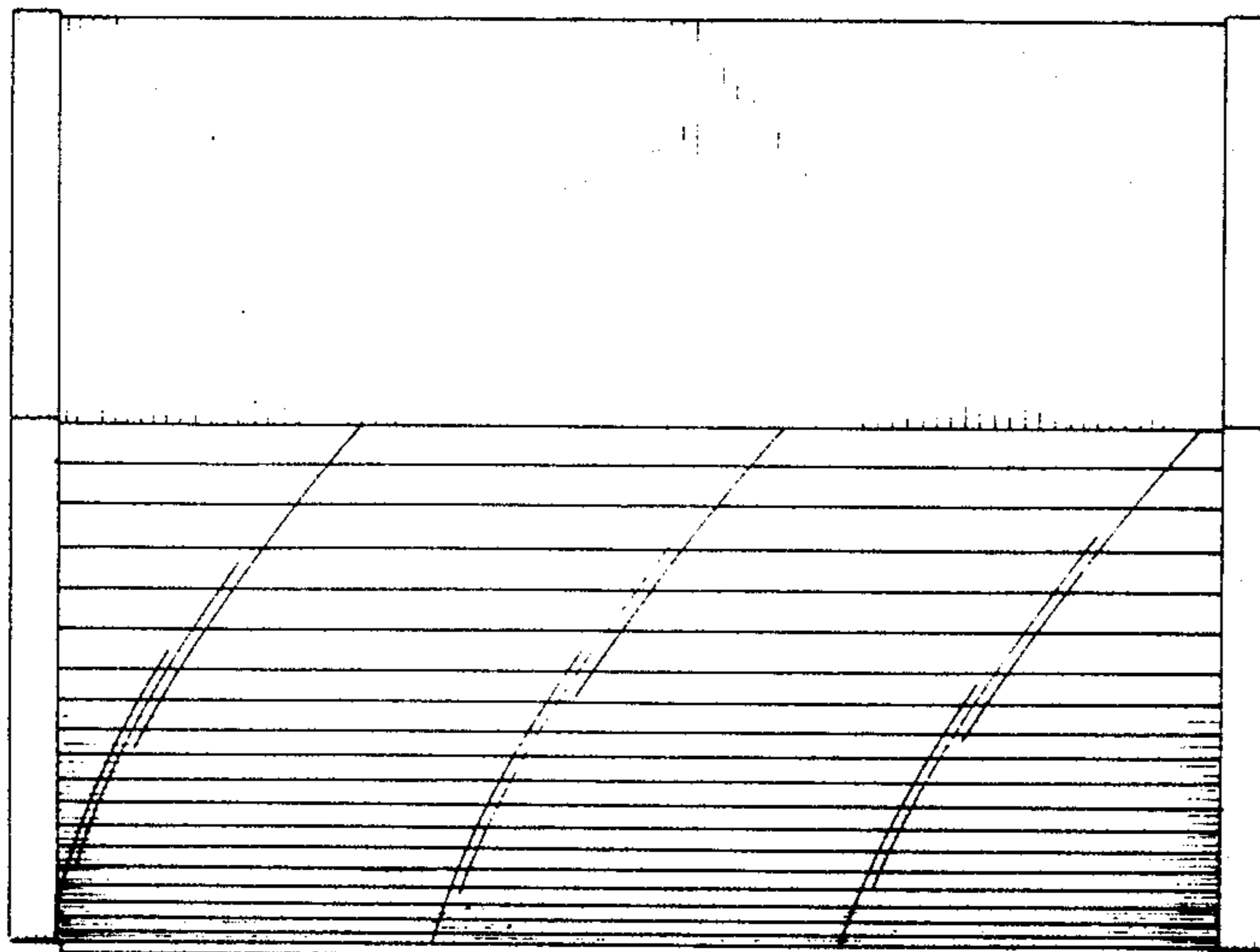


FIG 7

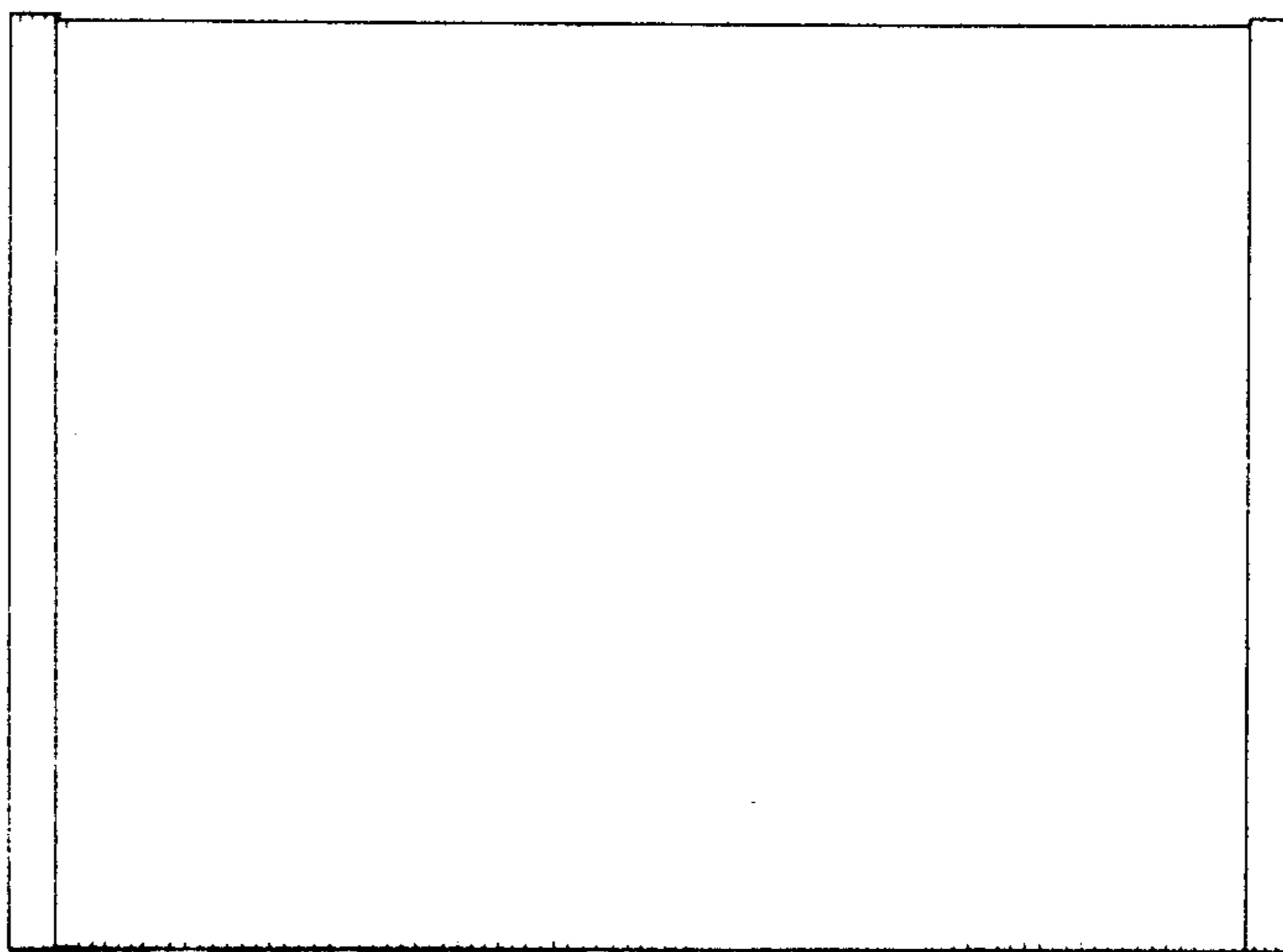


FIG 8