

[54] **AUTOMATIC BANK TELLER KIOSK**

[75] **Inventor: James T. Green, Jacksonville, Tex.**

[73] **Assignee: Superior Fiberglass, Inc.,
Jacksonville, Tex.**

[**] **Term: 14 Years**

[21] **Appl. No.: 389,673**

[22] **Filed: Jun. 18, 1982**

[52] **U.S. Cl. D99/28**

[58] **Field of Search 340/825.31, 825.32,
340/825.33, 825.34; 235/375-381; 186/37;
D25/31, 32; 109/1 R, 45; D99/28, 43; 232/4 R**

[56] **References Cited**
U.S. PATENT DOCUMENTS

D. 44,017	5/1913	Massey	D25/32
D. 205,501	8/1966	Beren	D25/32
D. 231,779	6/1974	Cole	D25/32

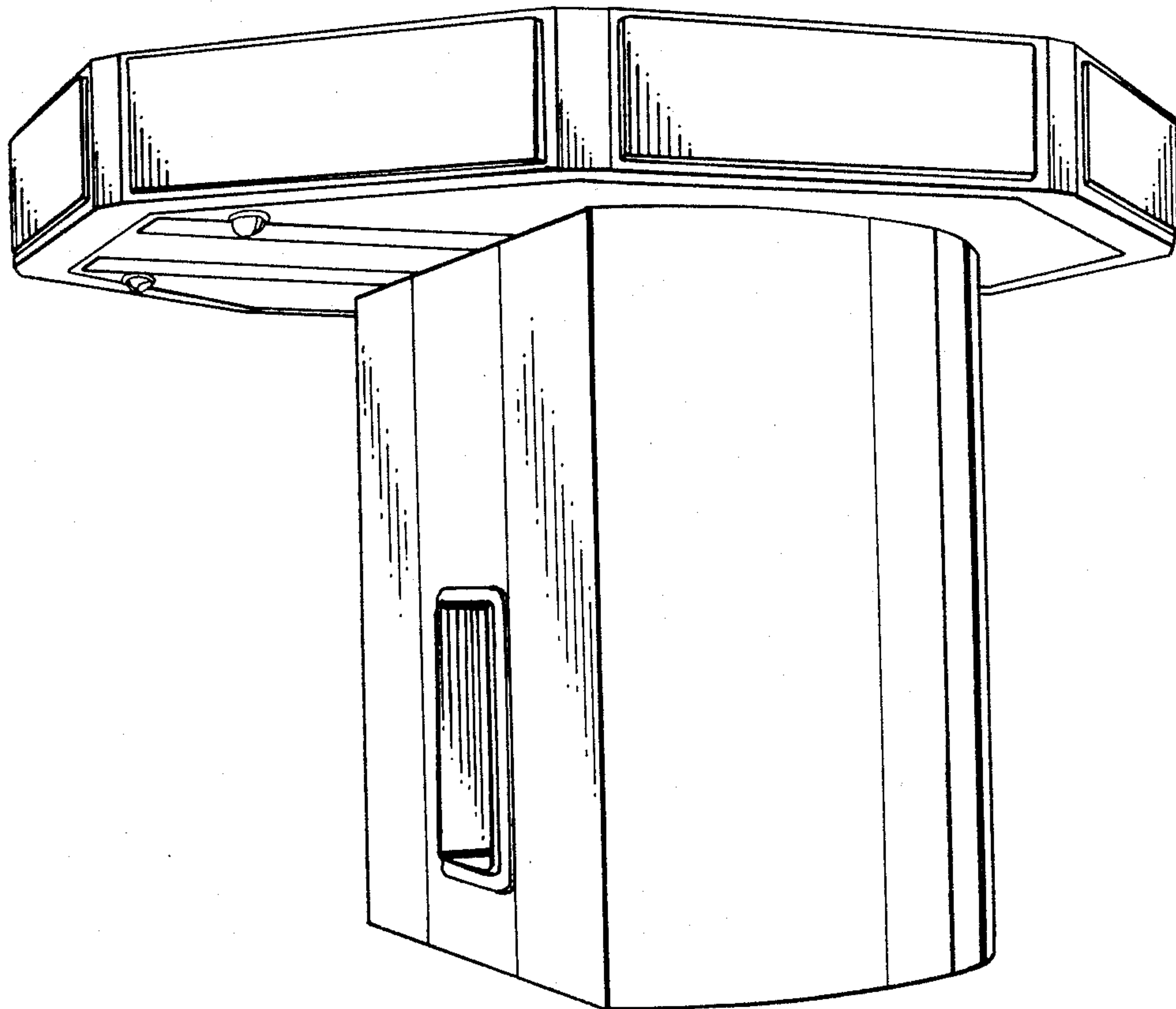
Primary Examiner—Charles A. Rademaker
Attorney, Agent, or Firm—Gerald G. Crutsinger; John F. Booth; Monty L. Ross

[57] **CLAIM**

The ornamental design for an automatic bank teller kiosk, substantially as shown.

DESCRIPTION

FIG. 1 is a front perspective view of an automatic bank teller kiosk showing my new design;
FIG. 2 is a rear perspective view thereof;
FIG. 3 is a top plan view thereof;
FIG. 4 is a front elevational view thereof; and,
FIG. 5 is a side elevational view thereof.



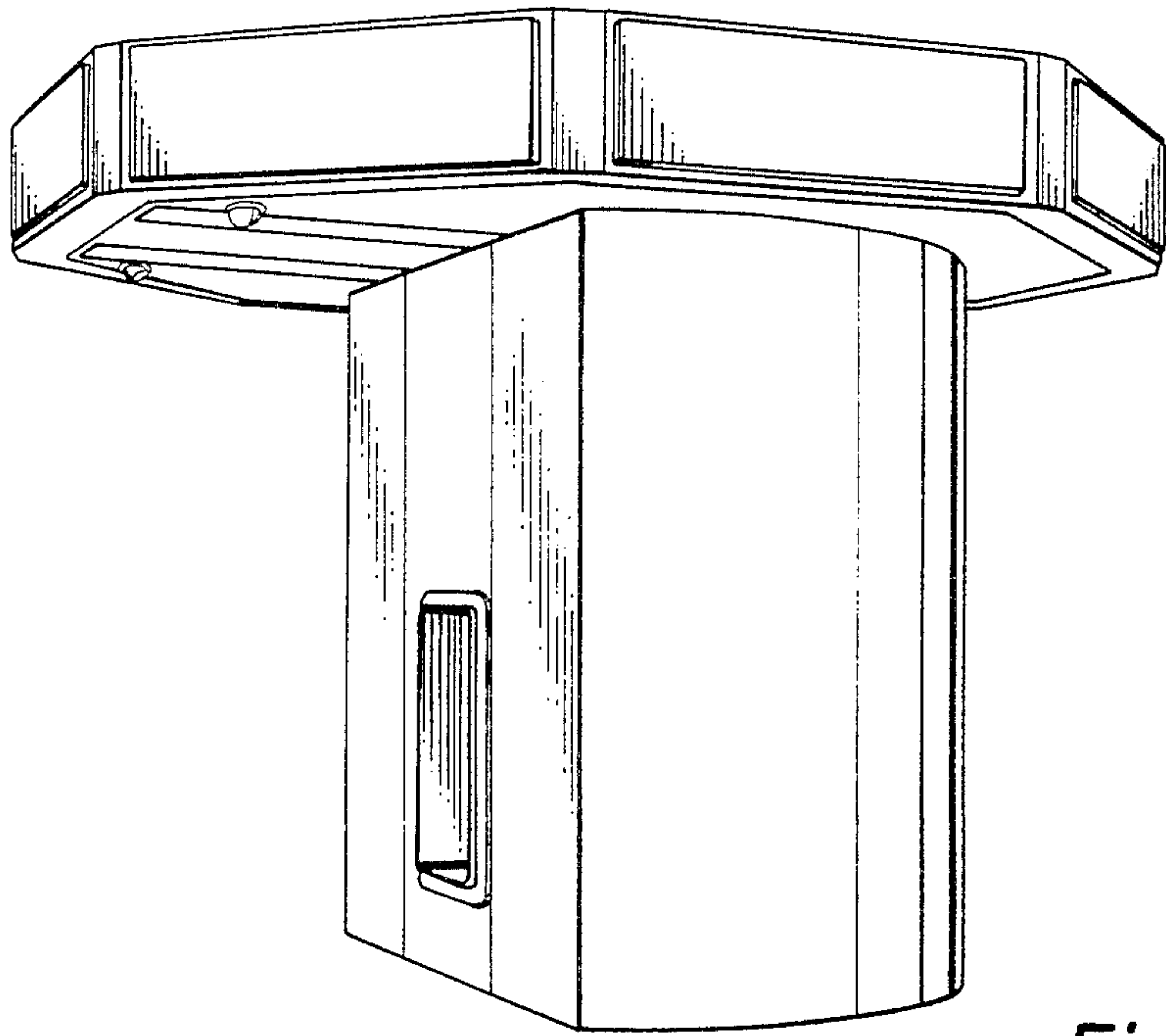


Fig. 1

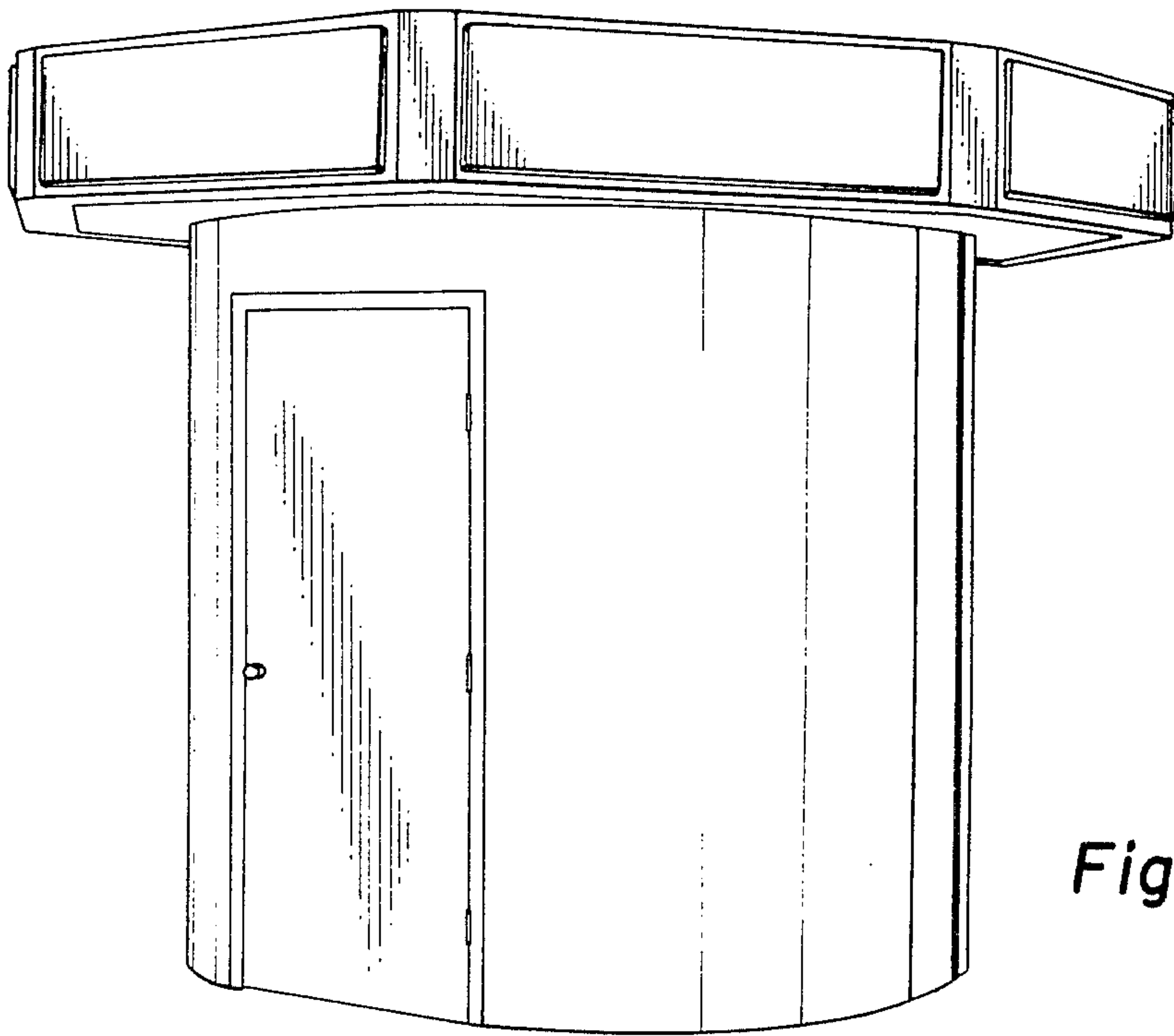


Fig. 2

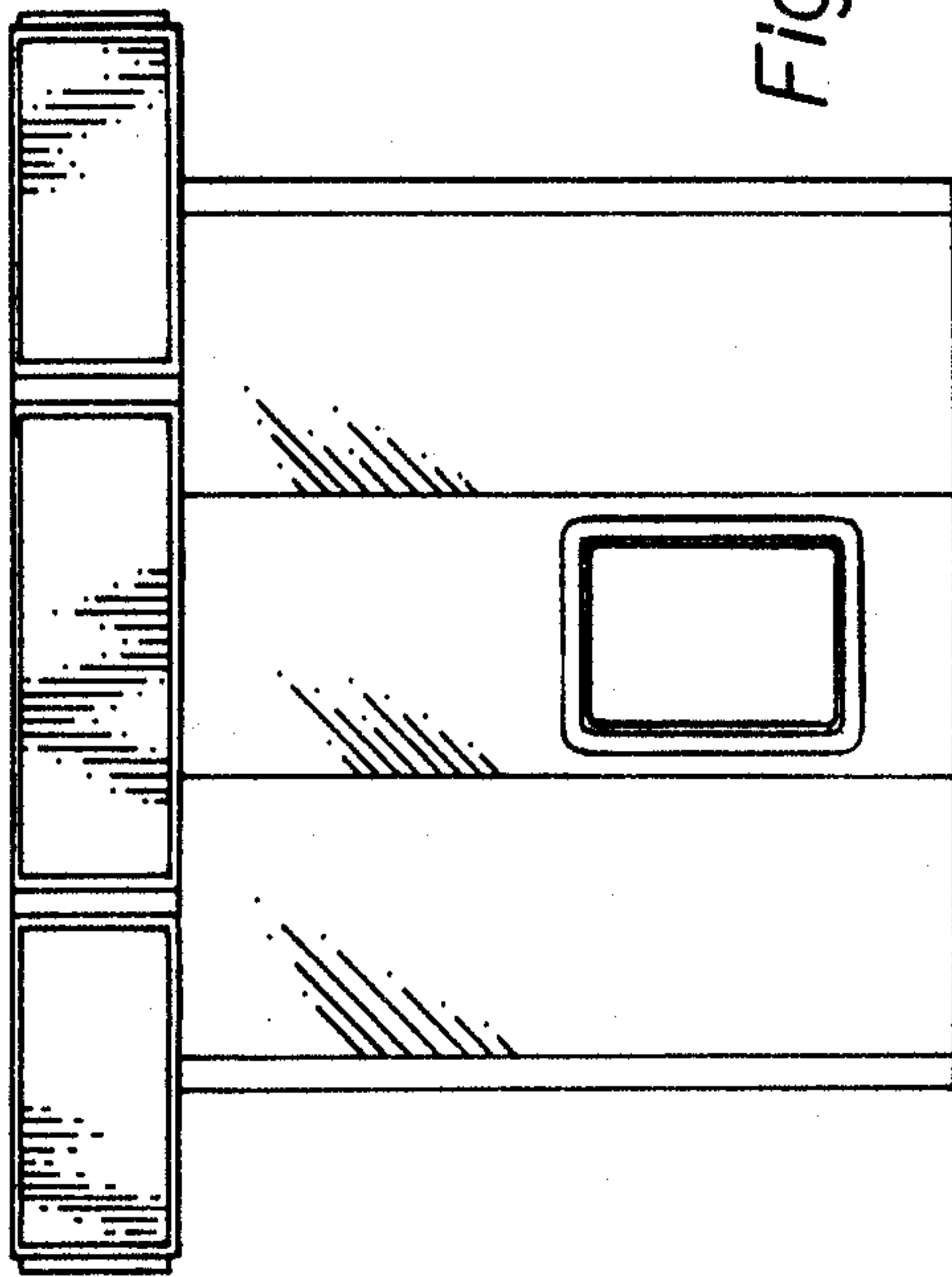


Fig. 4

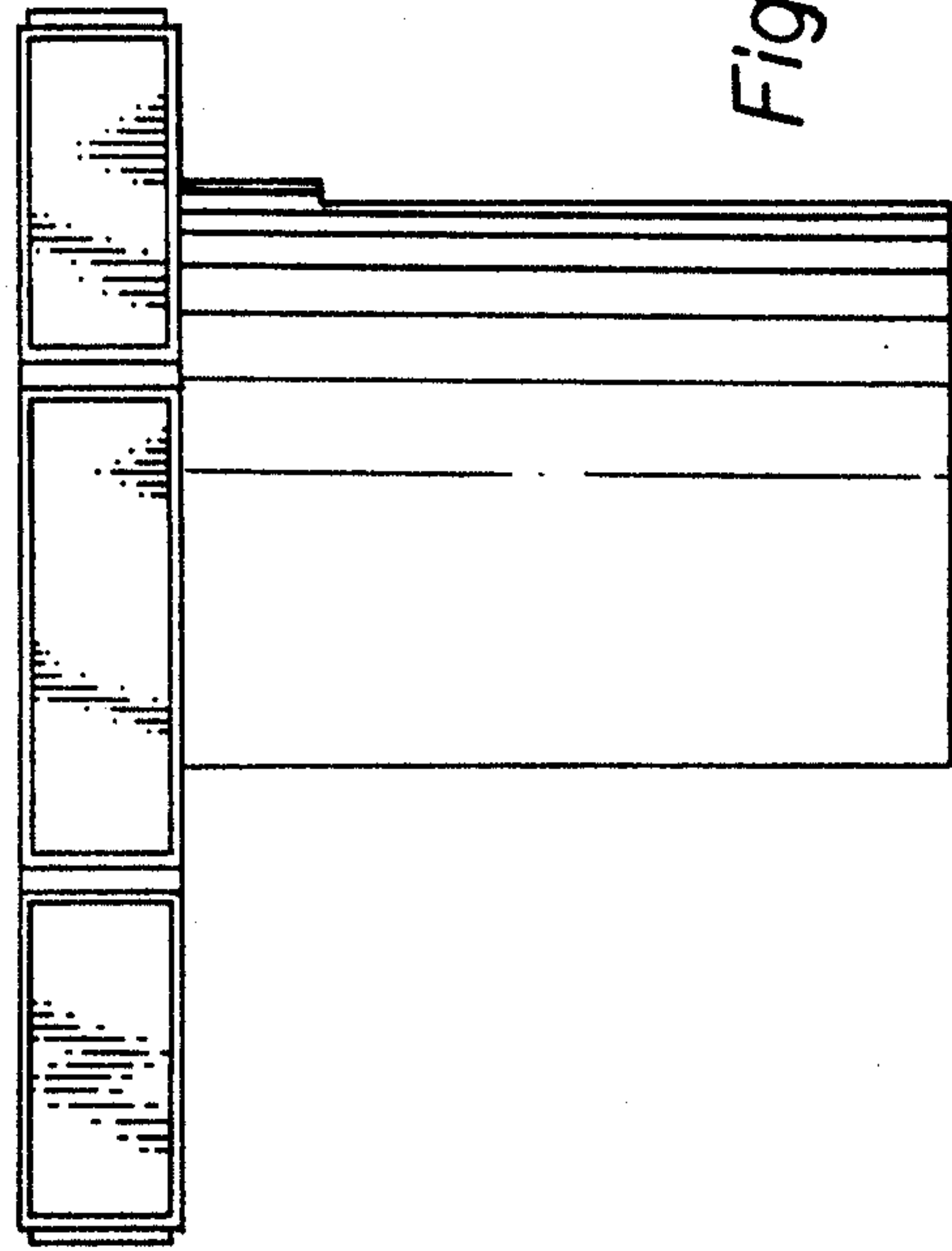


Fig. 5

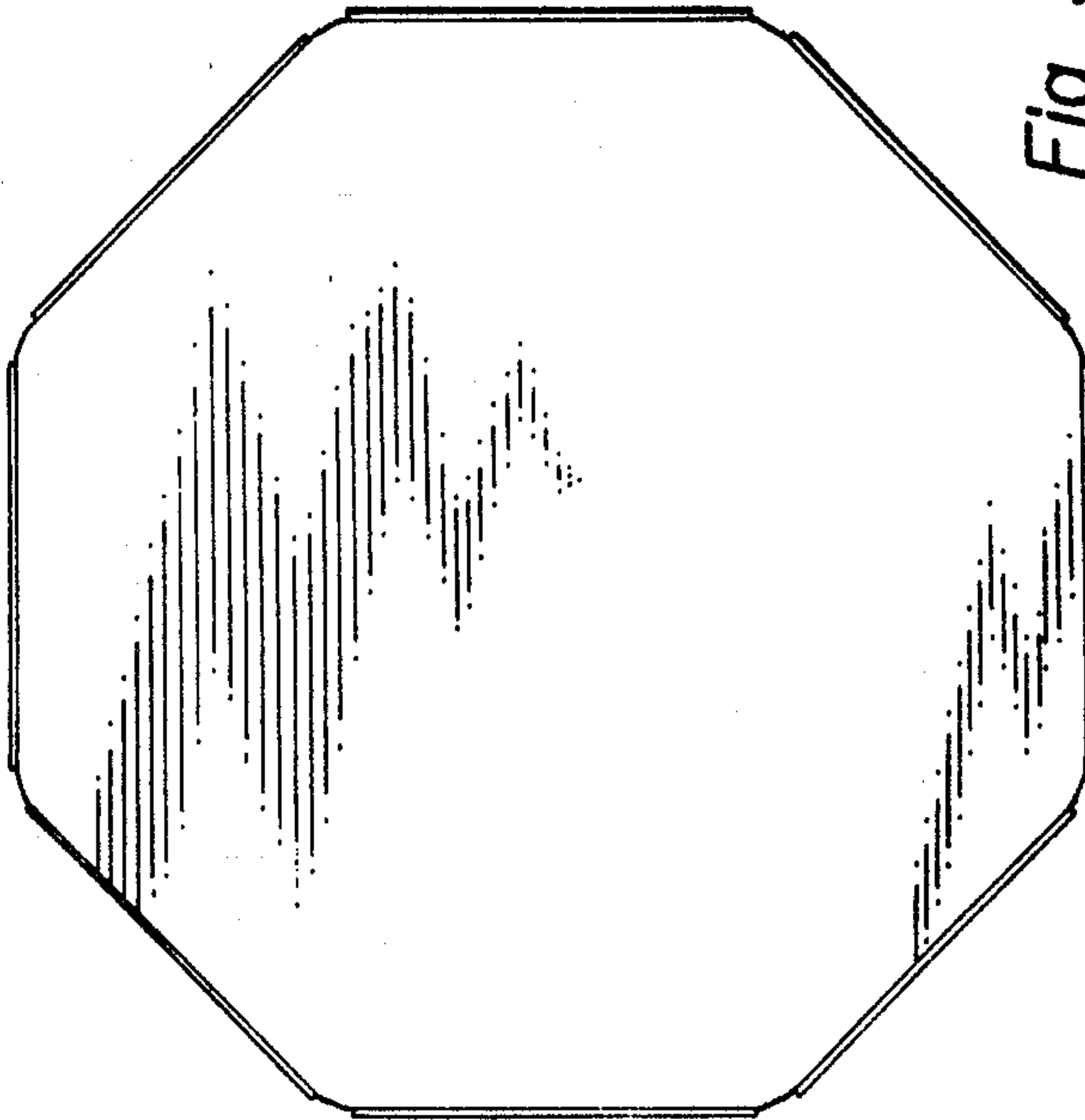


Fig. 3