

[54] WRAPPING SHEET FOR A CASSETTE

[75] Inventor: Keiichi Yoshizawa, Chiba, Japan

[73] Assignee: TDK Corporation, Tokyo, Japan

[\*\*] Term: 14 Years

[21] Appl. No.: 369,968

[22] Filed: Apr. 19, 1982

[52] U.S. Cl. .... D59/2 C; D14/11; D20/27

[58] Field of Search ..... D14/11; D20/27; D59/2 C

[56] References Cited

U.S. PATENT DOCUMENTS

- D. 222,911 2/1972 Weiss ..... D14/11
- D. 262,369 12/1981 Hatakeyama ..... D14/11
- D. 263,060 2/1982 Yoshizawa ..... D20/27

OTHER PUBLICATIONS

*Stereo Review*, 5-81, p. 13, TDK SA-X C90 Cassette Package.

*Stereo Review*, 6-81, p. 15, Memorex HBII Package.

Primary Examiner—Jane E. Corrigan  
Attorney, Agent, or Firm—Seidel, Gonda & Goldhammer

[57] CLAIM

The ornamental design for a wrapping sheet for a cassette, as shown and described.

DESCRIPTION

FIG. 1 is a front elevational view of a wrapping sheet for a cassette showing my new design; FIG. 2 is a plan view; FIG. 3 is a side elevational view; and FIG. 4 is a perspective view thereof as the sheet appears when wrapped around a cassette.

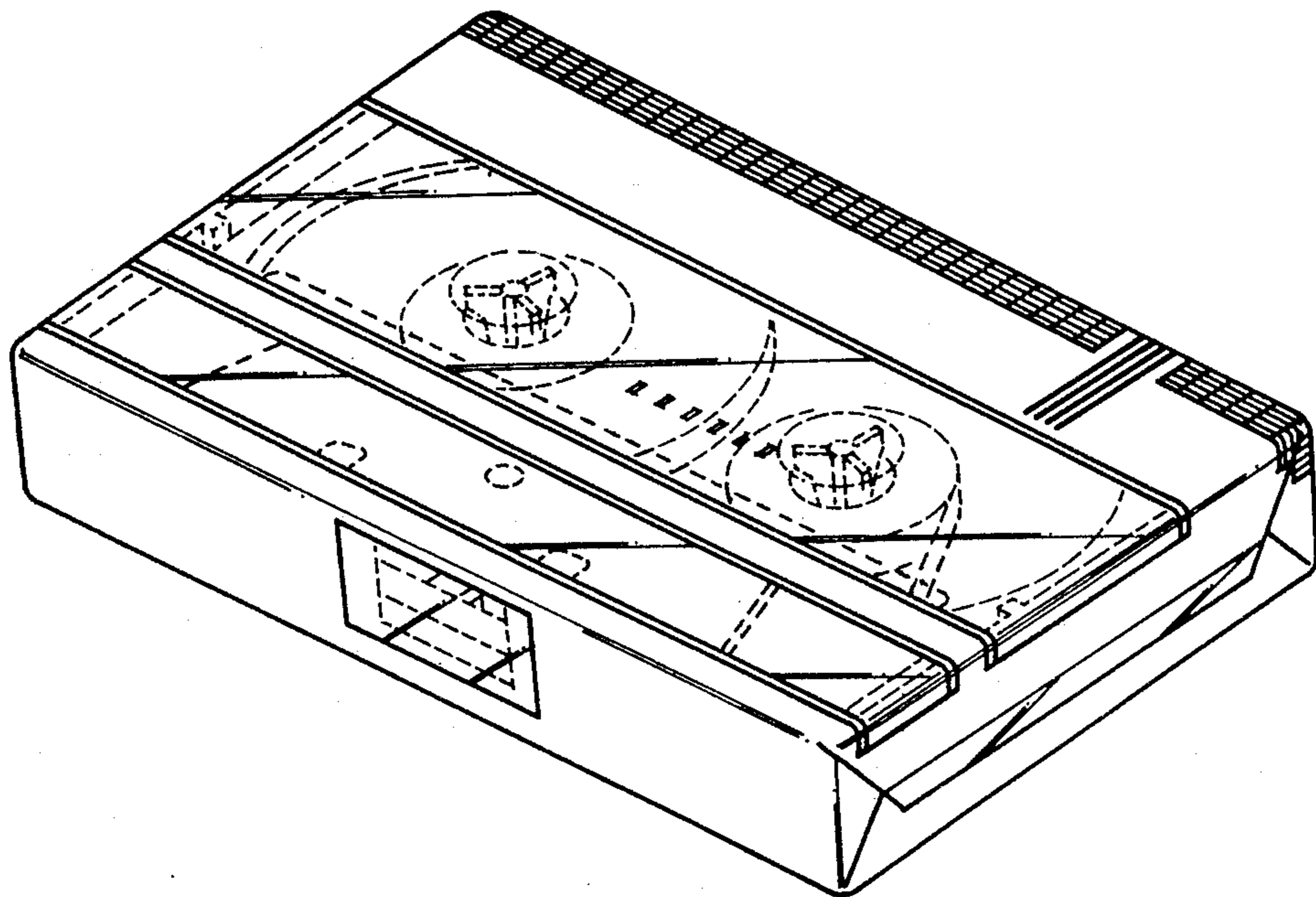


FIG. 2

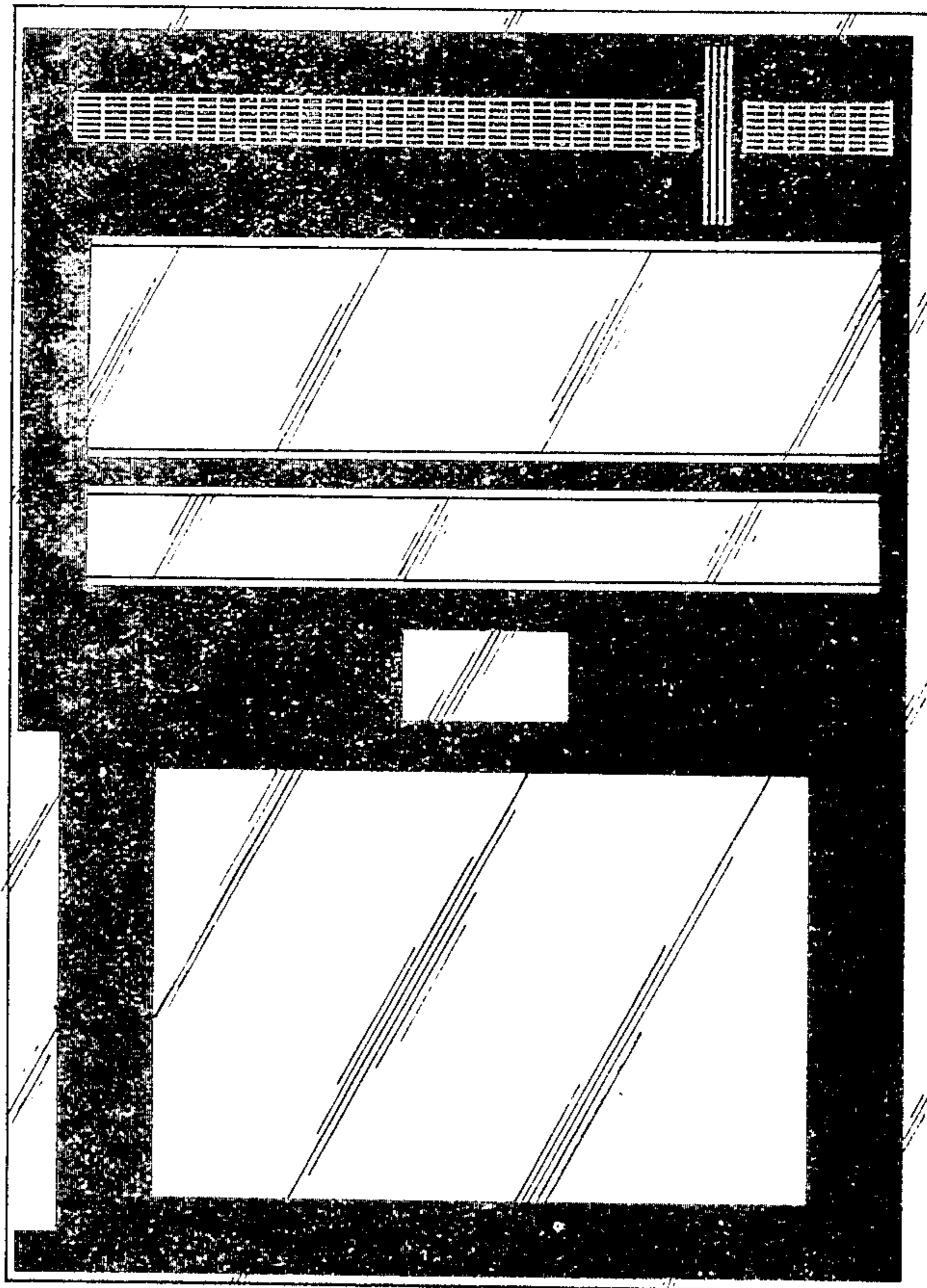
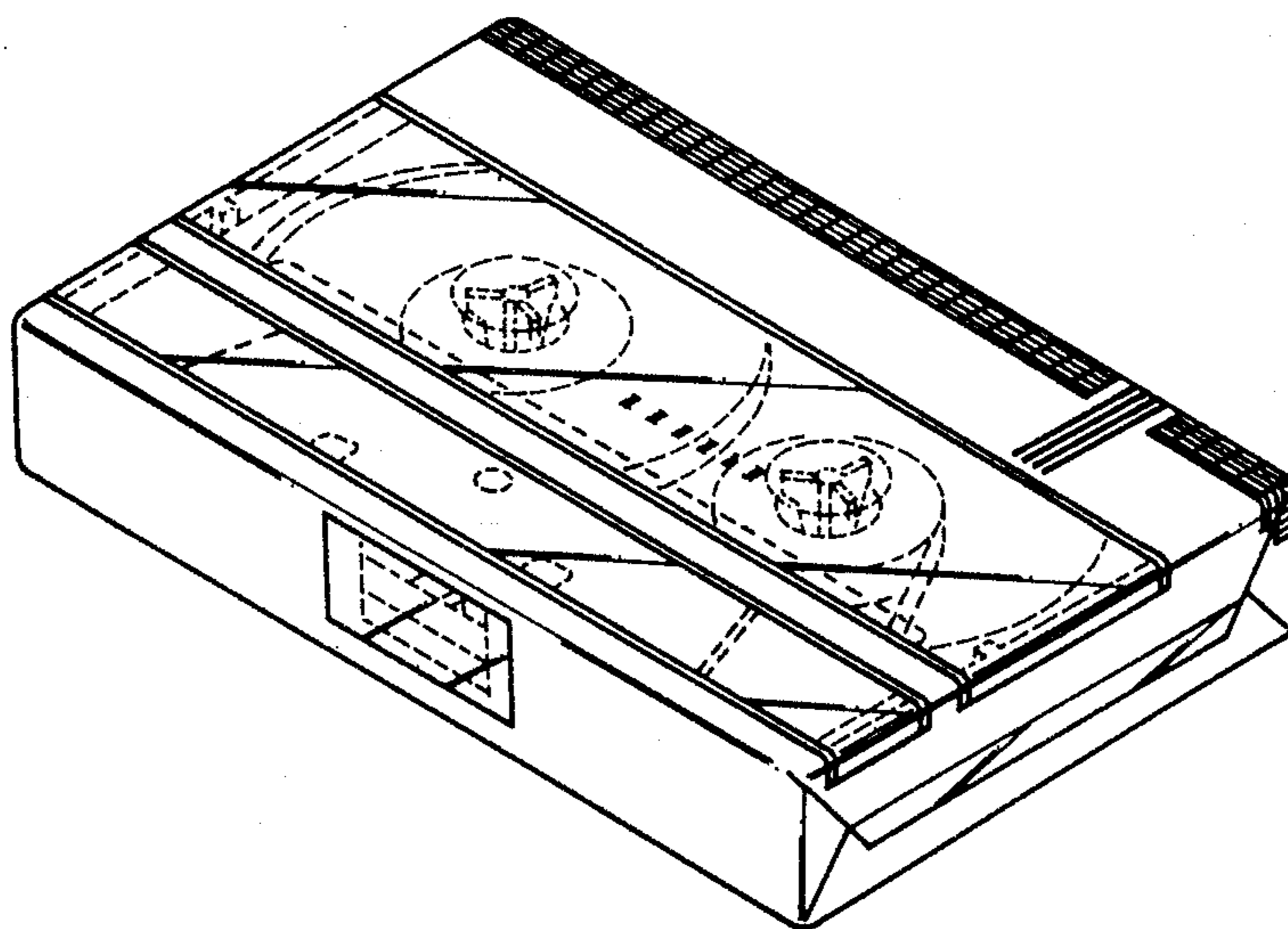


FIG. 3

FIG. 1



**FIG. 4**