

[54] FLOOD LIGHT

[76] Inventor: Ming K. Chan, First Floor, 58 Hung To Rd., Kwun Tong, Kowloon, Hong Kong

[**] Term: 14 Years

[21] Appl. No.: 373,413

[22] Filed: Apr. 30, 1982

[30] Foreign Application Priority Data

Feb. 17, 1982 [GB] United Kingdom 1005141

[52] U.S. Cl. D26/63

[58] Field of Search D26/24, 61-66, D26/138; 362/269, 277, 282, 283, 284, 285, 287, 297, 307, 418, 413, 419, 428

[56] References Cited

U.S. PATENT DOCUMENTS

- D. 151,309 10/1948 Witte D26/63 X
- D. 152,113 12/1948 Mehr D26/63 X
- D. 169,293 4/1953 Stone D26/60

D. 258,010 1/1981 Bows et al. D26/63

OTHER PUBLICATIONS

Crouse-Hinds Idea Book, p. 19, Accent Light LCQ.

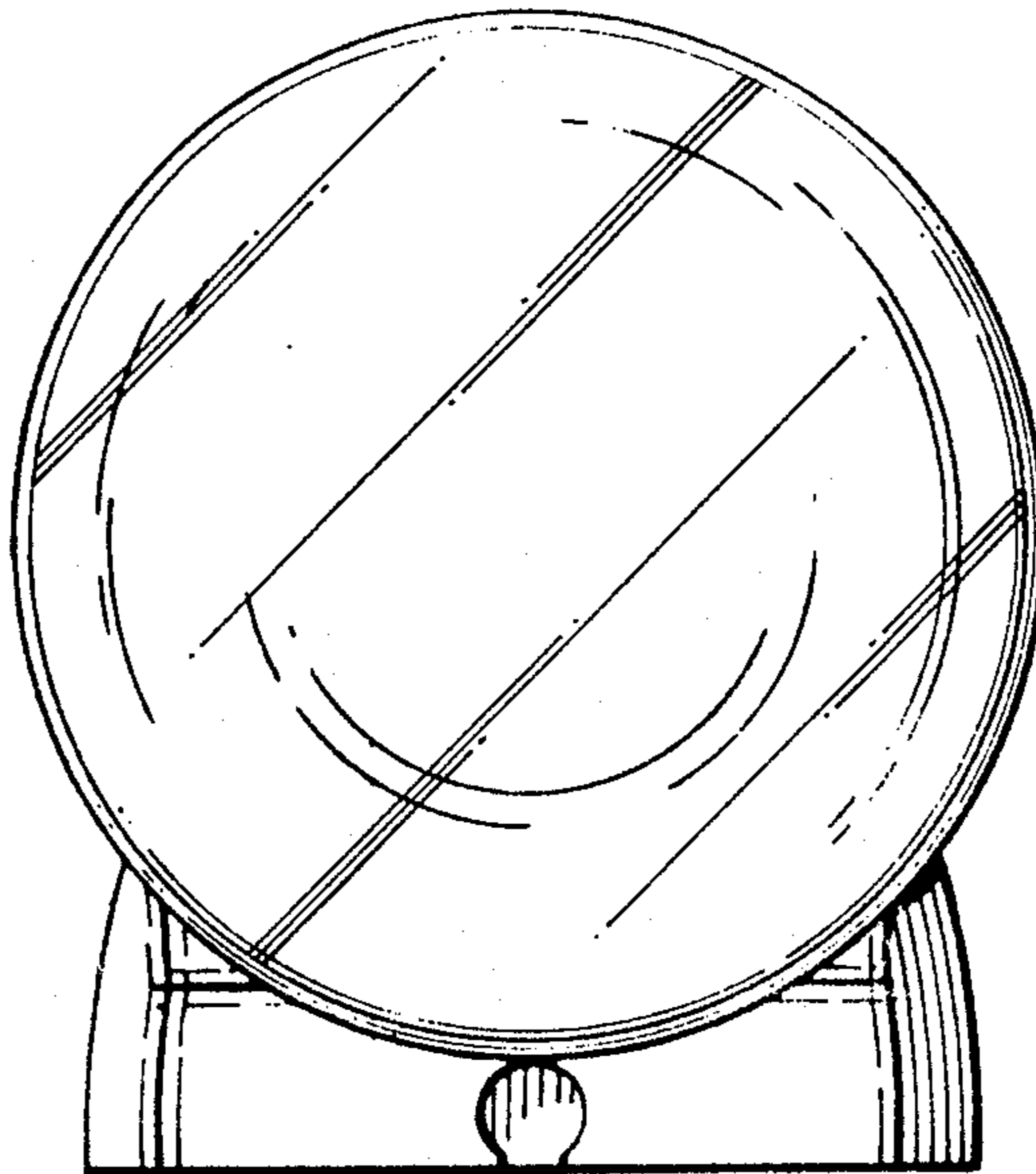
Primary Examiner—Susan J. Lucas
Attorney, Agent, or Firm—Fay & Sharpe

[57] CLAIM

The ornamental design for a flood light, substantially as shown and described.

DESCRIPTION

FIG. 1 is a front elevational view of a flood light showing my new design;
 FIG. 2 is a left side elevational view thereof;
 FIG. 3 is a rear elevational view thereof;
 FIG. 4 is a top plan view thereof;
 FIG. 5 is a top plan view thereof with the lamp in an alternate position;
 FIG. 6 is a right side elevational view thereof;
 FIG. 7 is a right side elevational view thereof with the lamp in an alternate position.



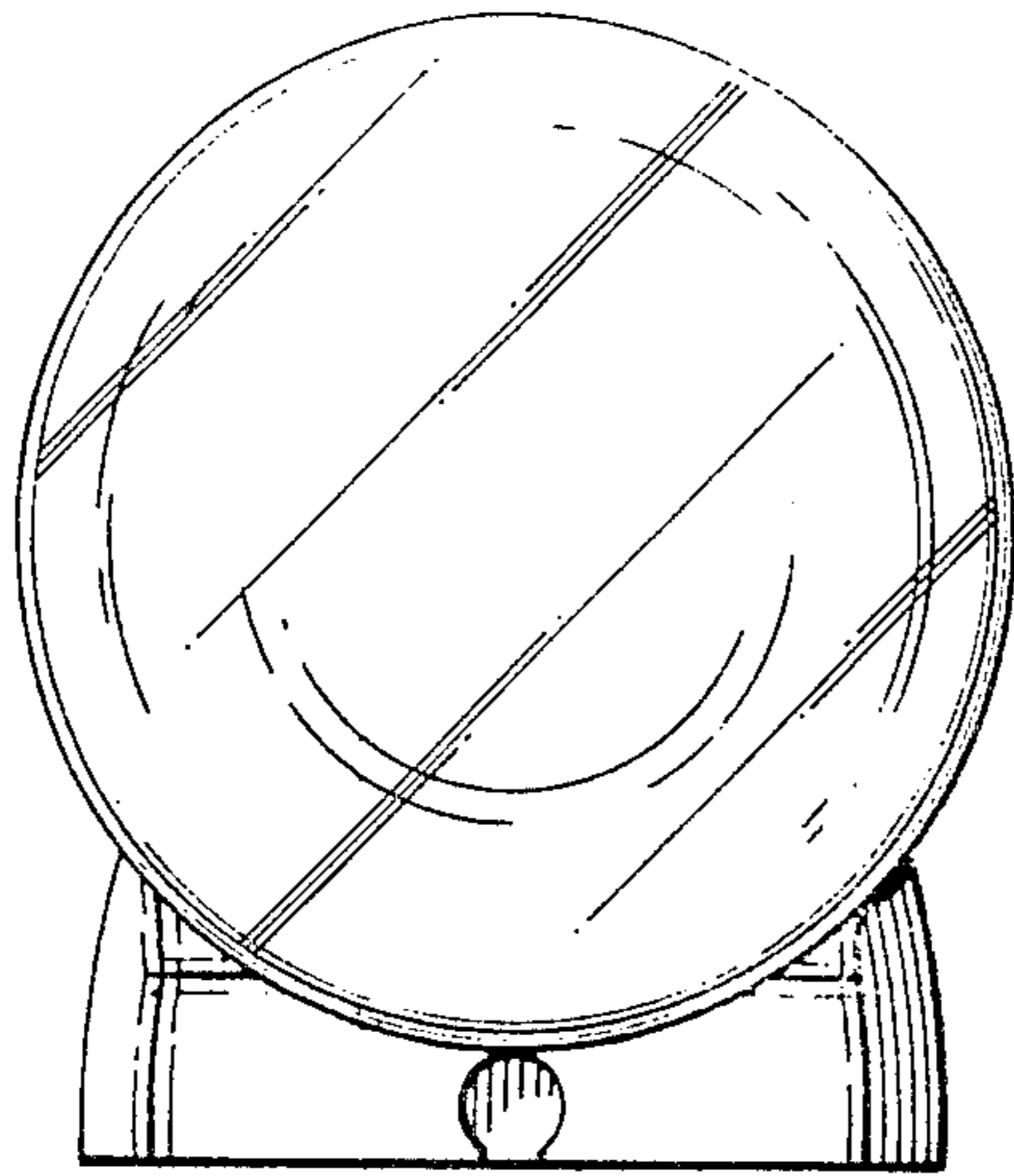


FIG. 1

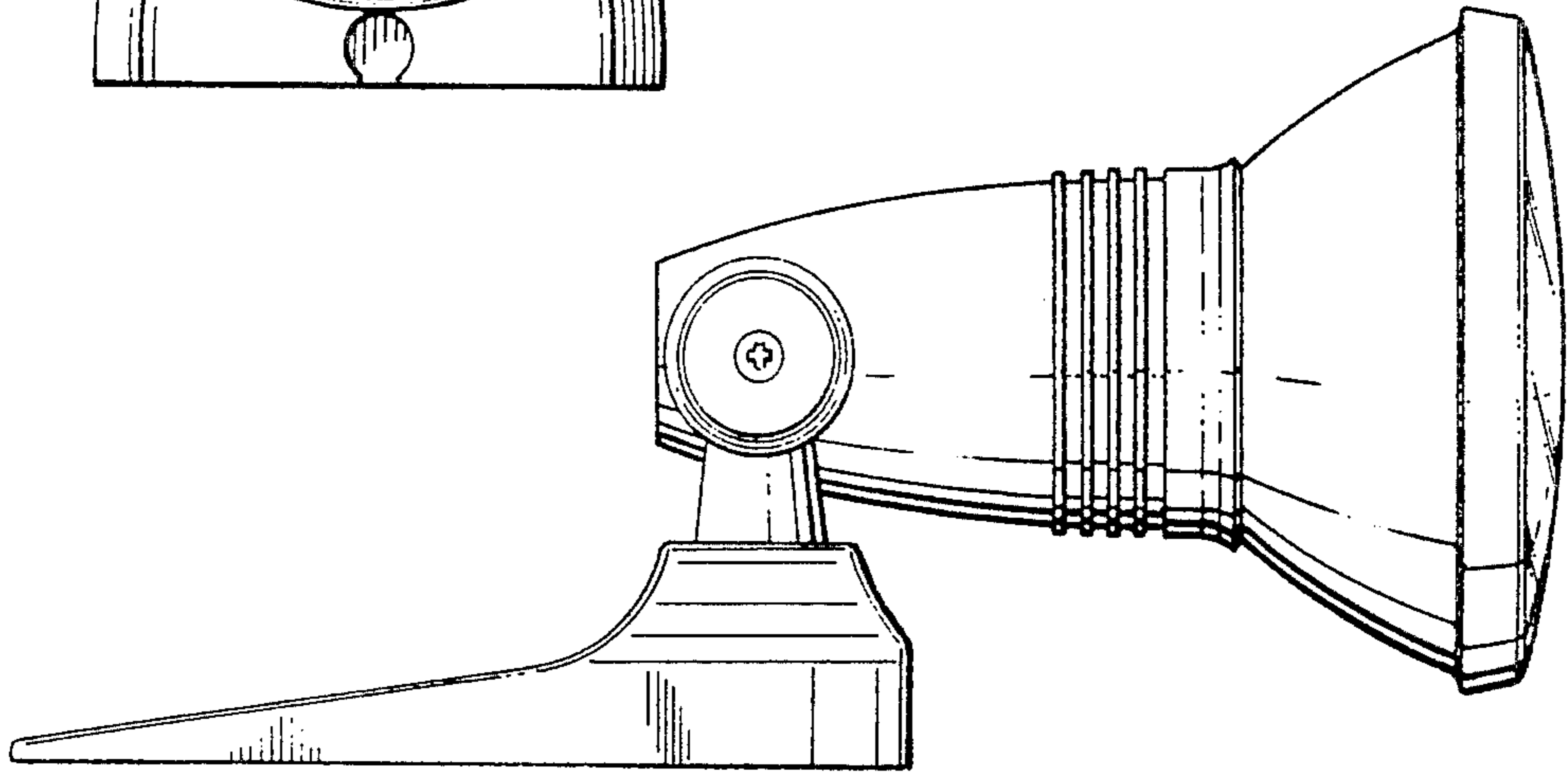


FIG. 2

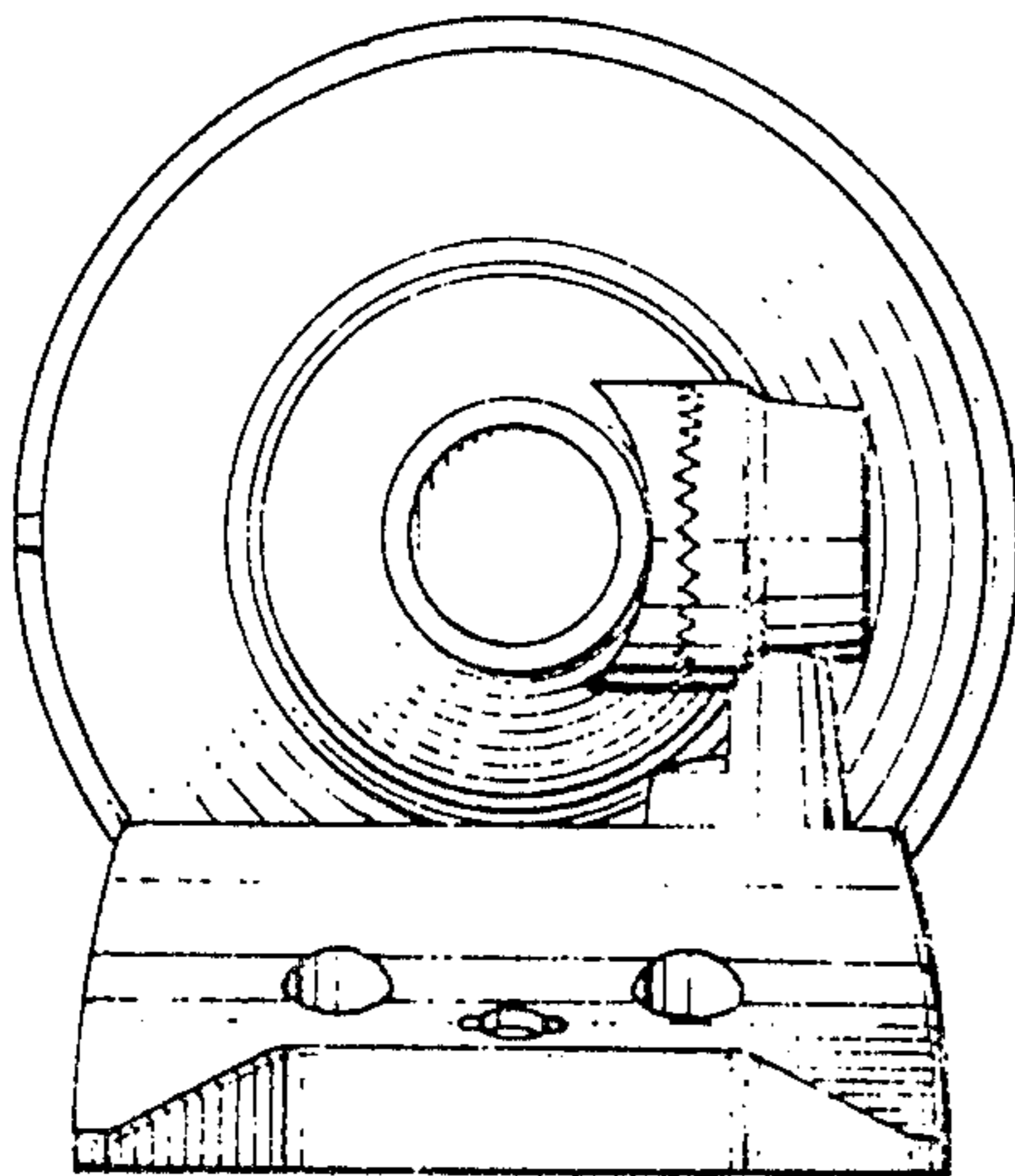


FIG. 3

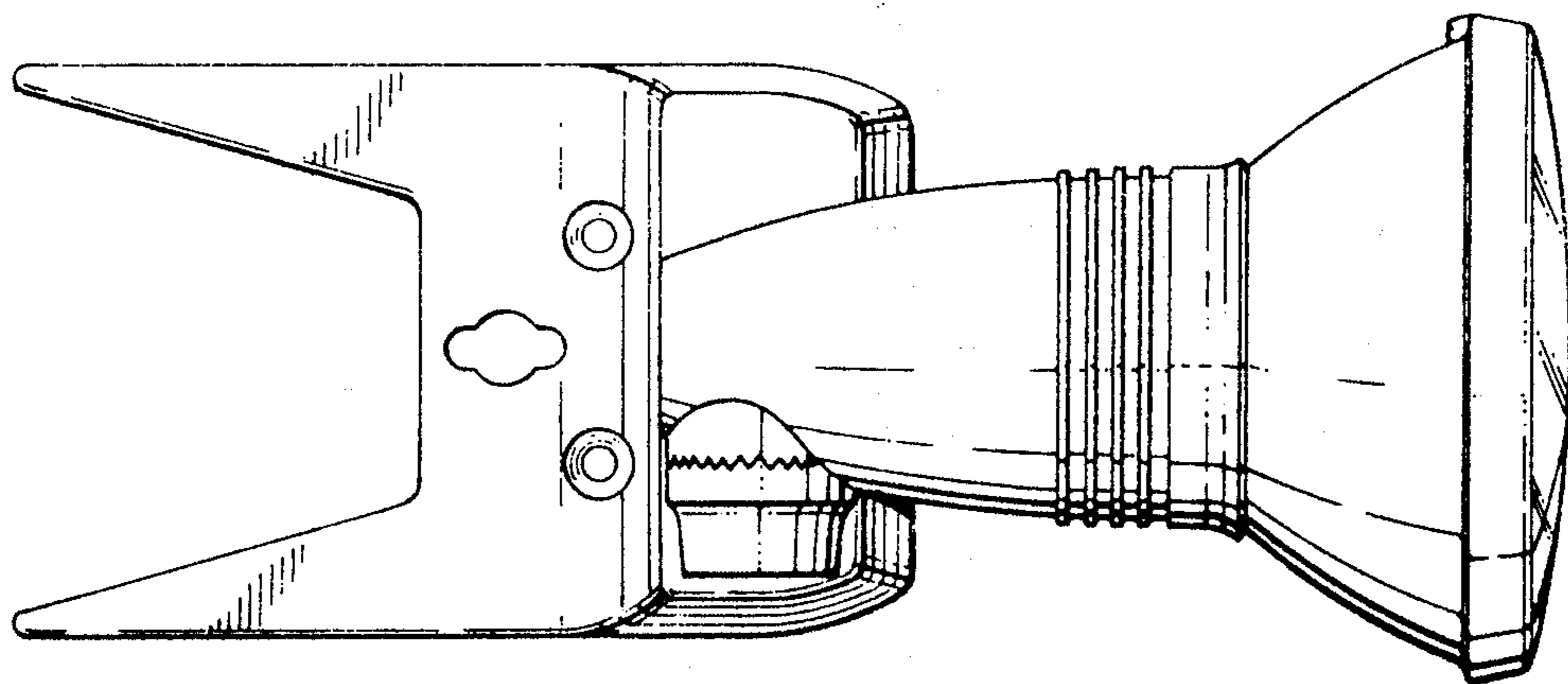


FIG. 4

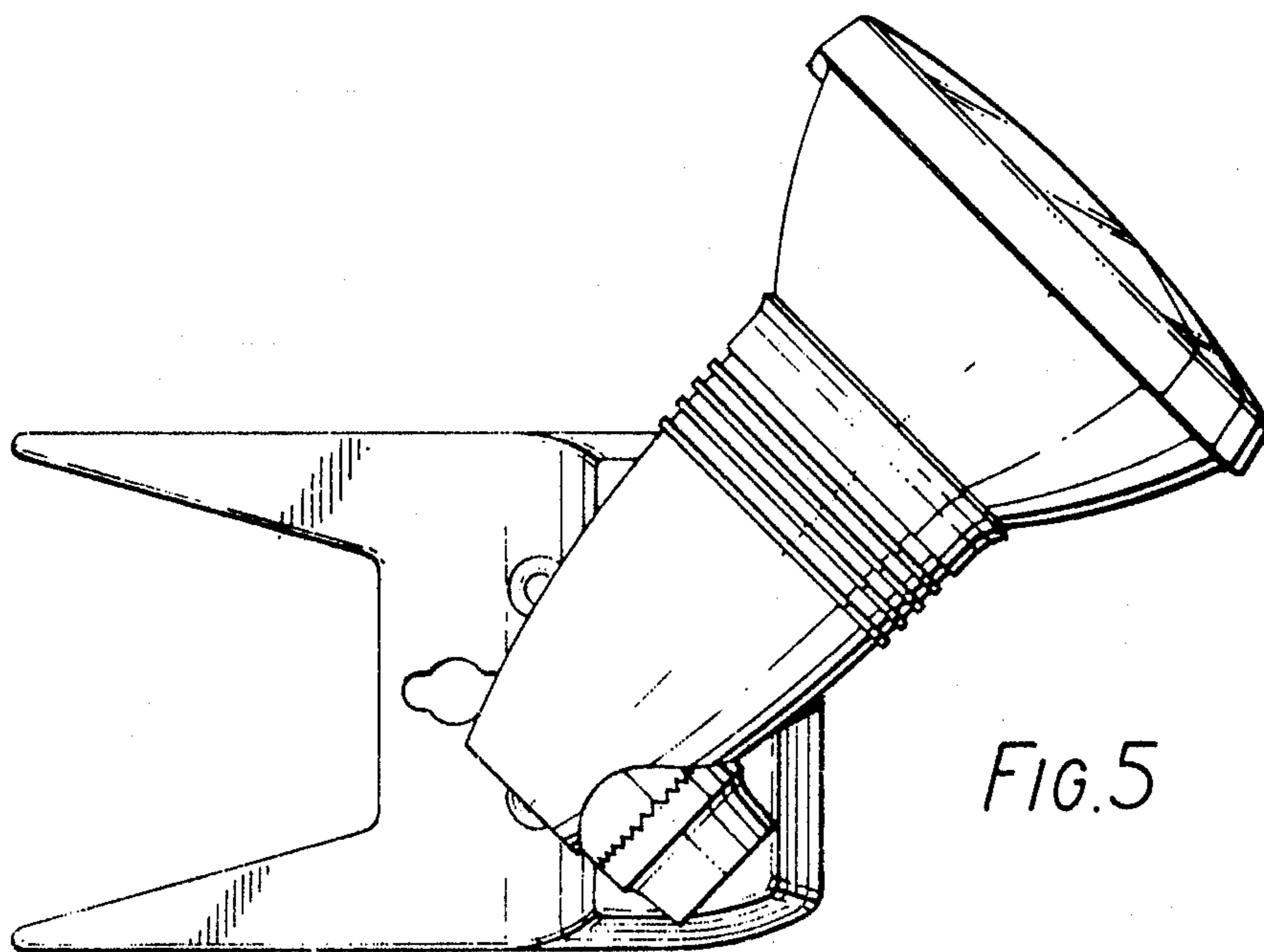


FIG. 5

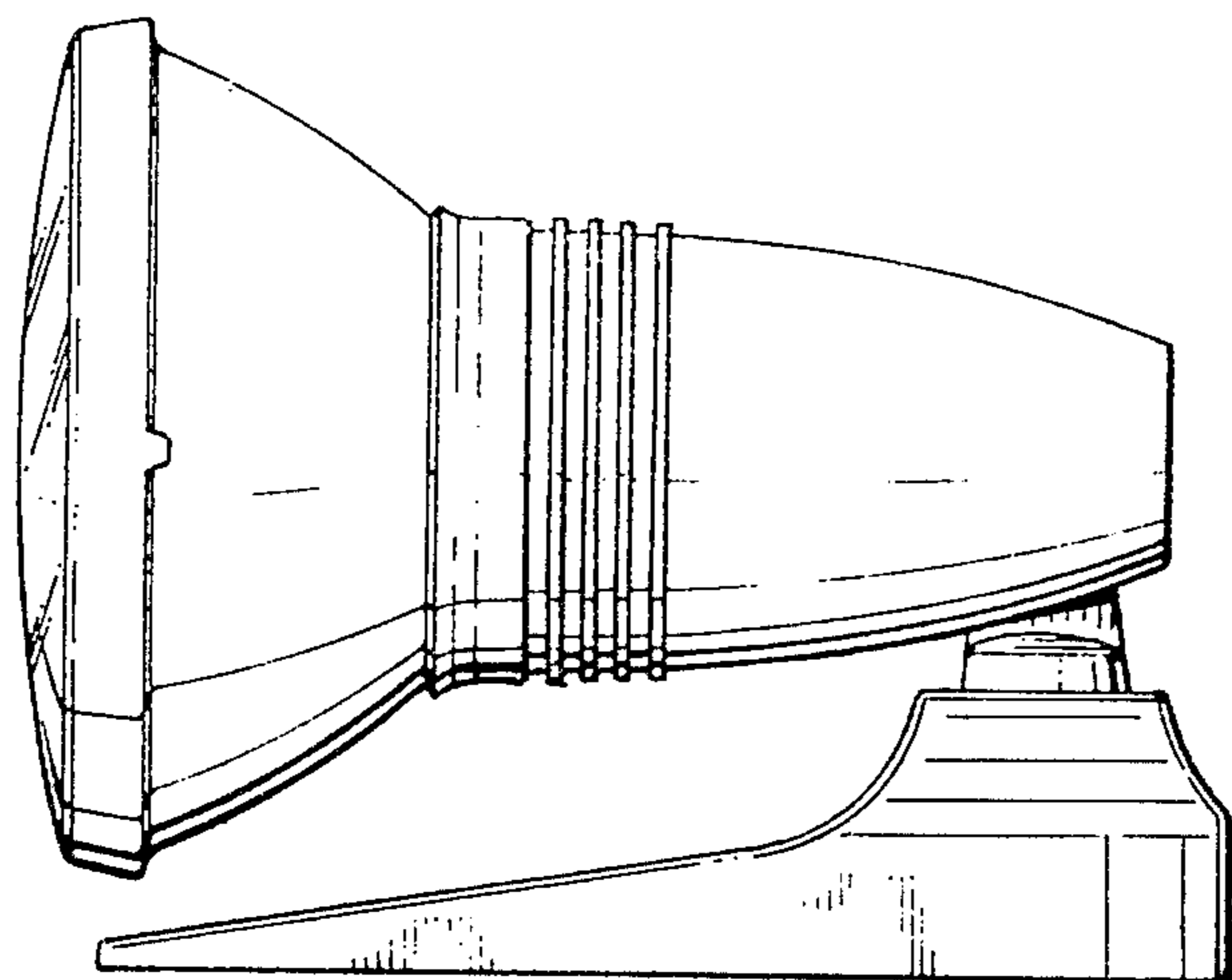


FIG. 6

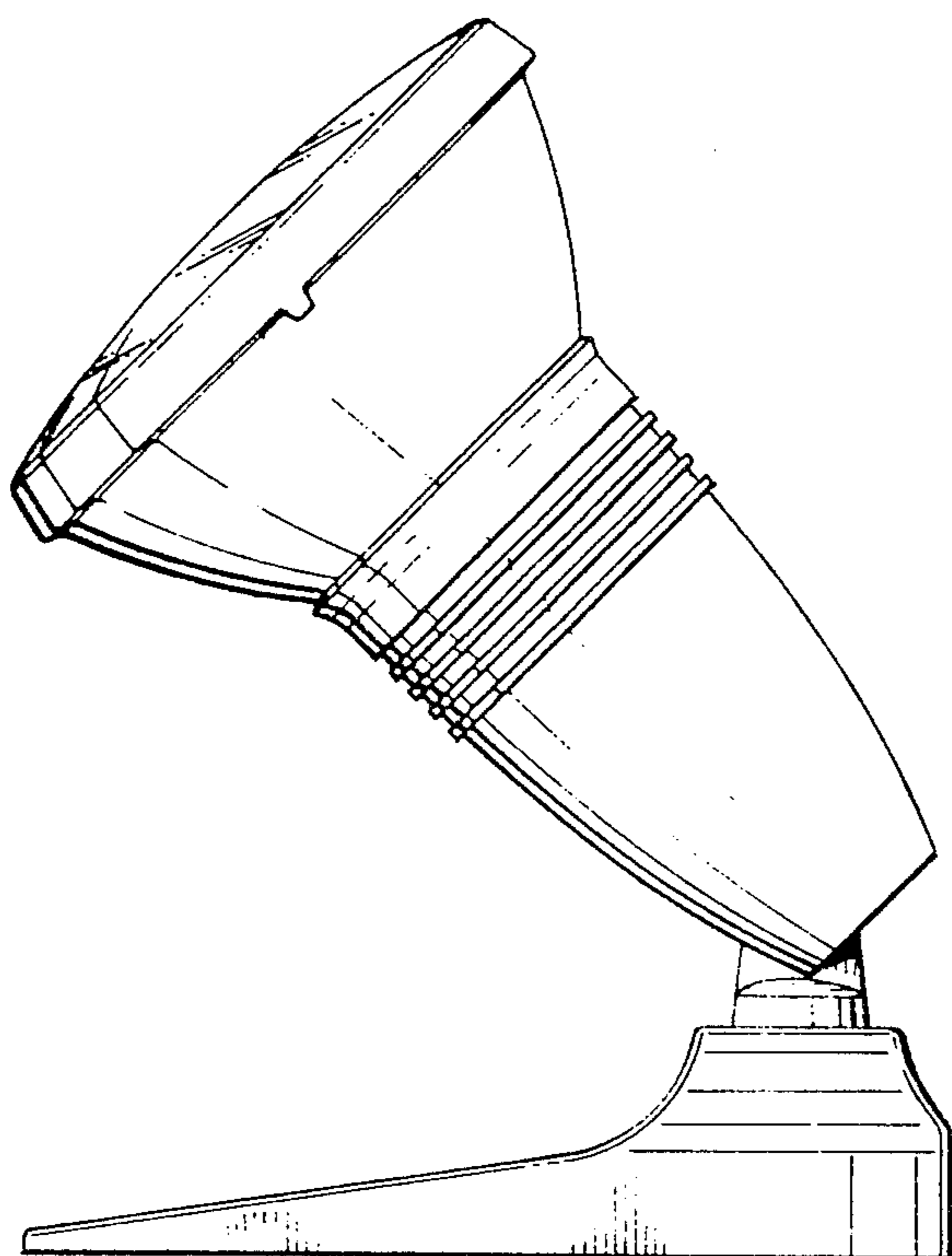


FIG. 7