

[54] FITTING FOR STREET BOLLARDS OR THE LIKE

[75] Inventor: Robert E. Haggard, Snohomish, Wash.

[73] Assignee: Merry Haggard, Snohomish, Wash.

[**] Term: 14 Years

[21] Appl. No.: 322,110

[22] Filed: Nov. 16, 1981

[52] U.S. Cl. D25/77; D23/43

[58] Field of Search D23/40, 43; D25/77; D8/382; D12/317; 114/218; 52/292, 300

[56] References Cited

U.S. PATENT DOCUMENTS

D. 190,523	6/1961	Garbarini	D25/77
D. 204,332	4/1966	Hargraves	D12/317
D. 221,615	8/1971	Simonds et al.	D25/77
D. 240,428	7/1976	Hoffman	D23/40
D. 258,913	4/1981	Bressani	D25/77
415,965	11/1889	Fletcher	114/218
596,217	12/1897	Rapp	D25/77 X
733,795	7/1903	Barr	114/218

739,294	9/1903	Corbett	114/218
2,722,907	11/1955	Dyer	114/218 X

OTHER PUBLICATIONS

Photographs (2) submitted by applicant's attorney in the communication.

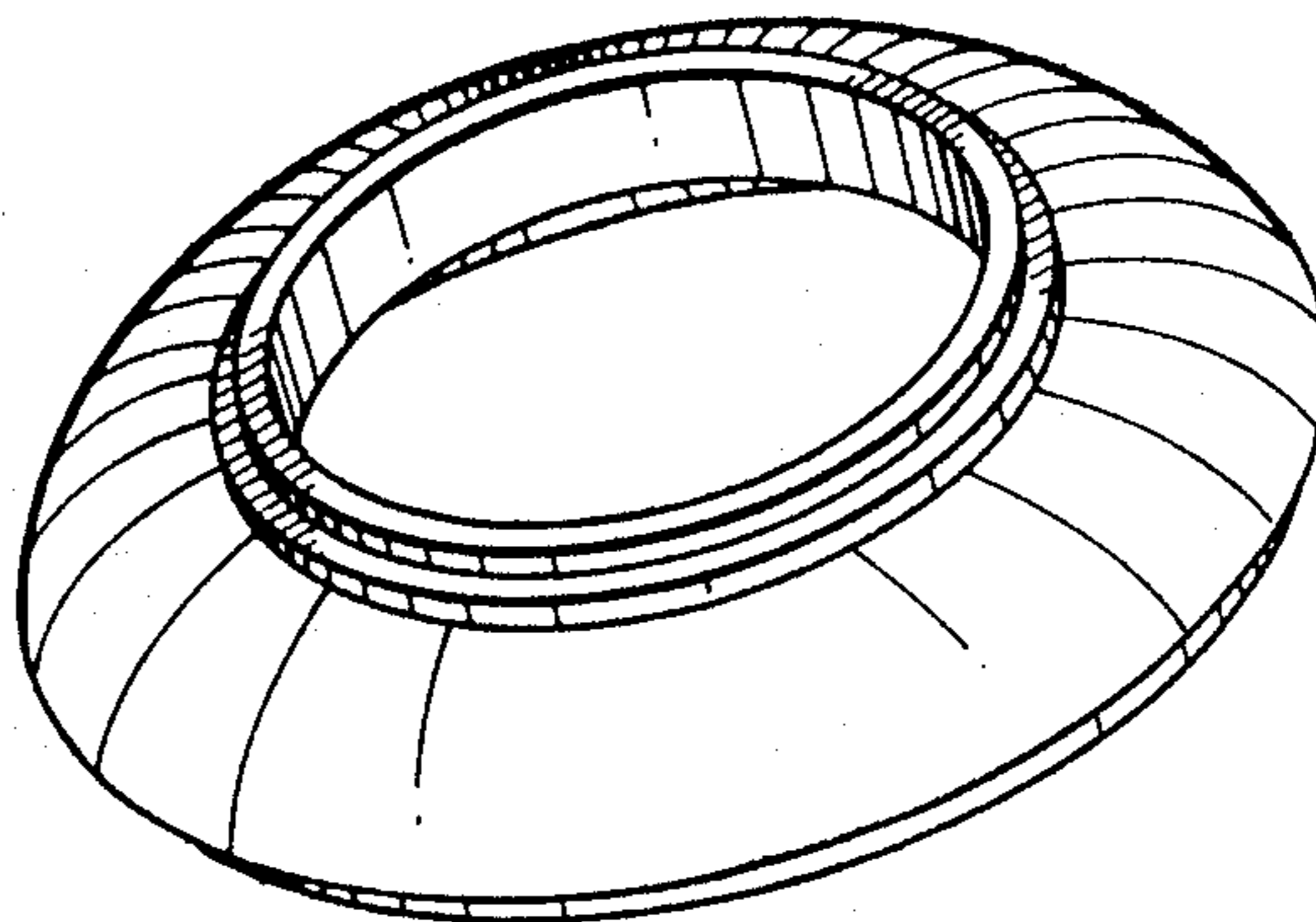
Primary Examiner—James R. Largen
Attorney, Agent, or Firm—Ward Brown; Robert W. Beach

[57] CLAIM

The ornamental design for a fitting for street bollards or the like, substantially as shown and described.

DESCRIPTION

FIG. 1 is a top perspective view of a fitting for street bollards or the like showing my new design; FIG. 2 is a side elevation view thereof; FIG. 3 is a bottom perspective view thereof; FIG. 4 is a top perspective view of a modified form of the fitting for street bollards or the like shown in FIG. 1; FIG. 5 is a side elevational view of FIG. 4; and FIG. 6 is a bottom perspective view of FIG. 4.



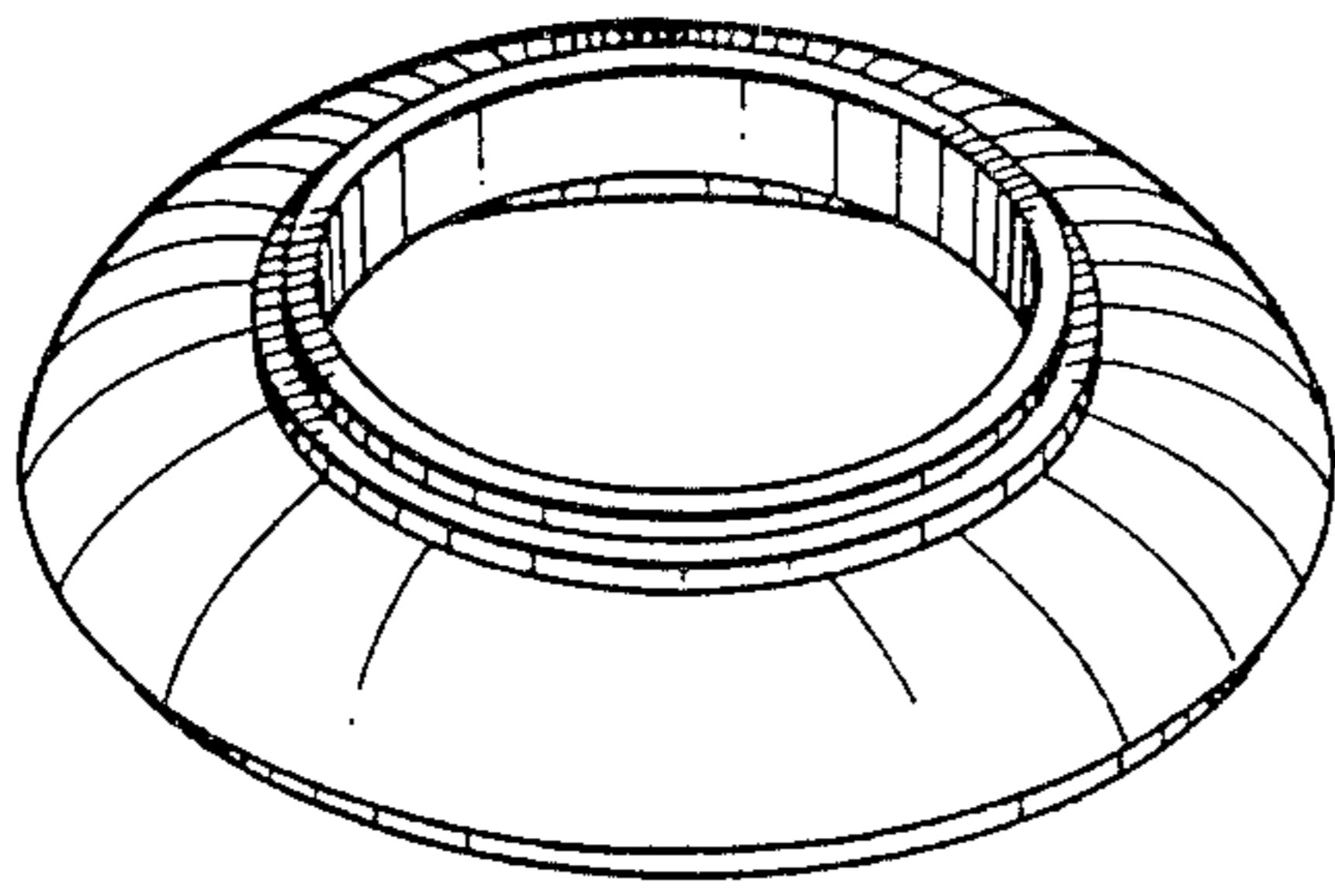


Fig. 1

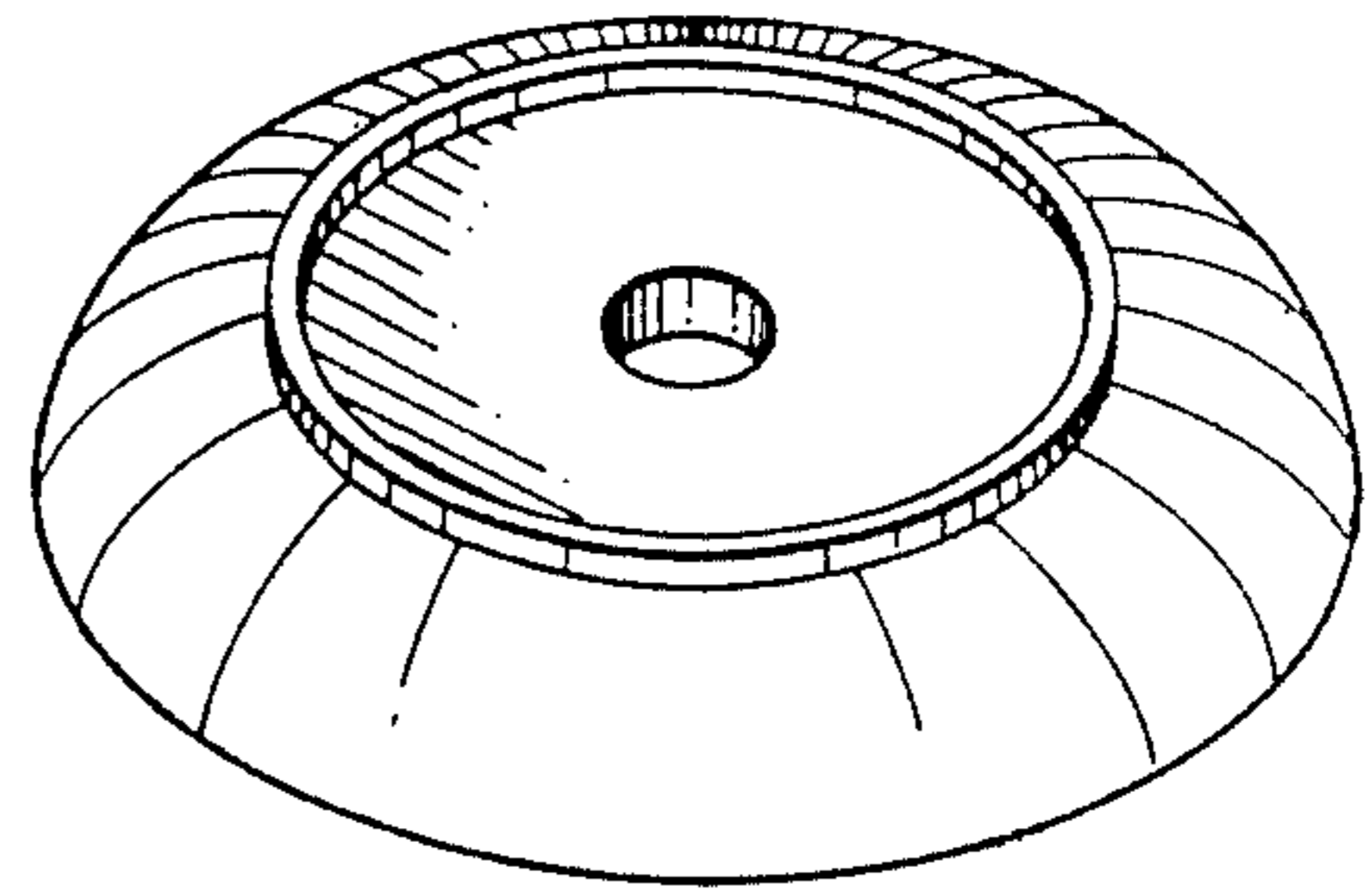


Fig. 4

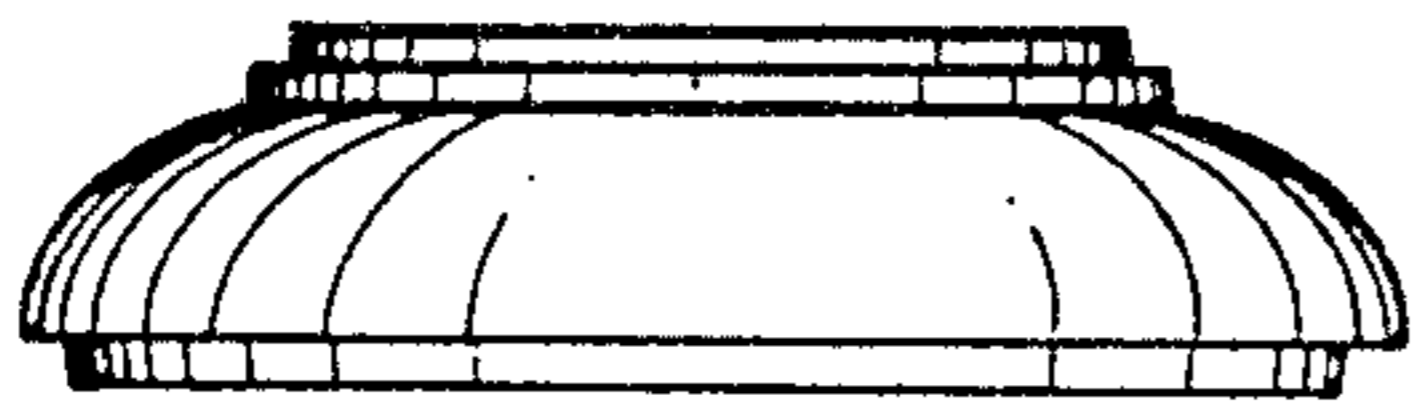


Fig. 2

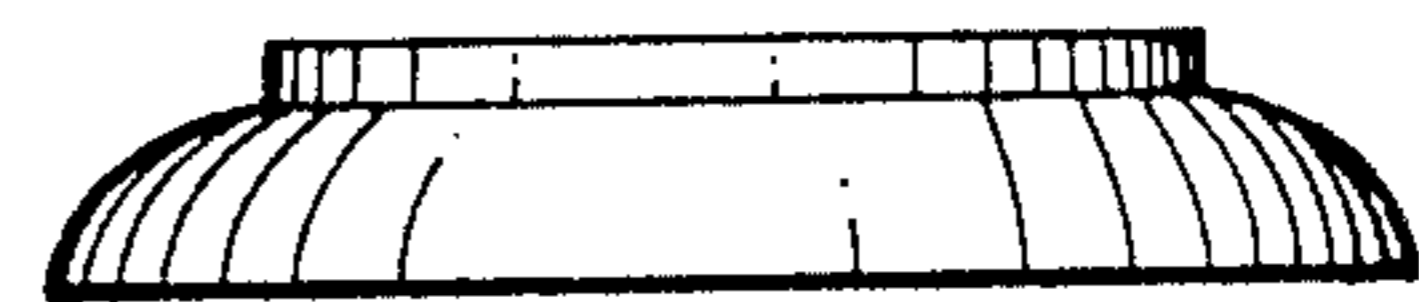


Fig. 5

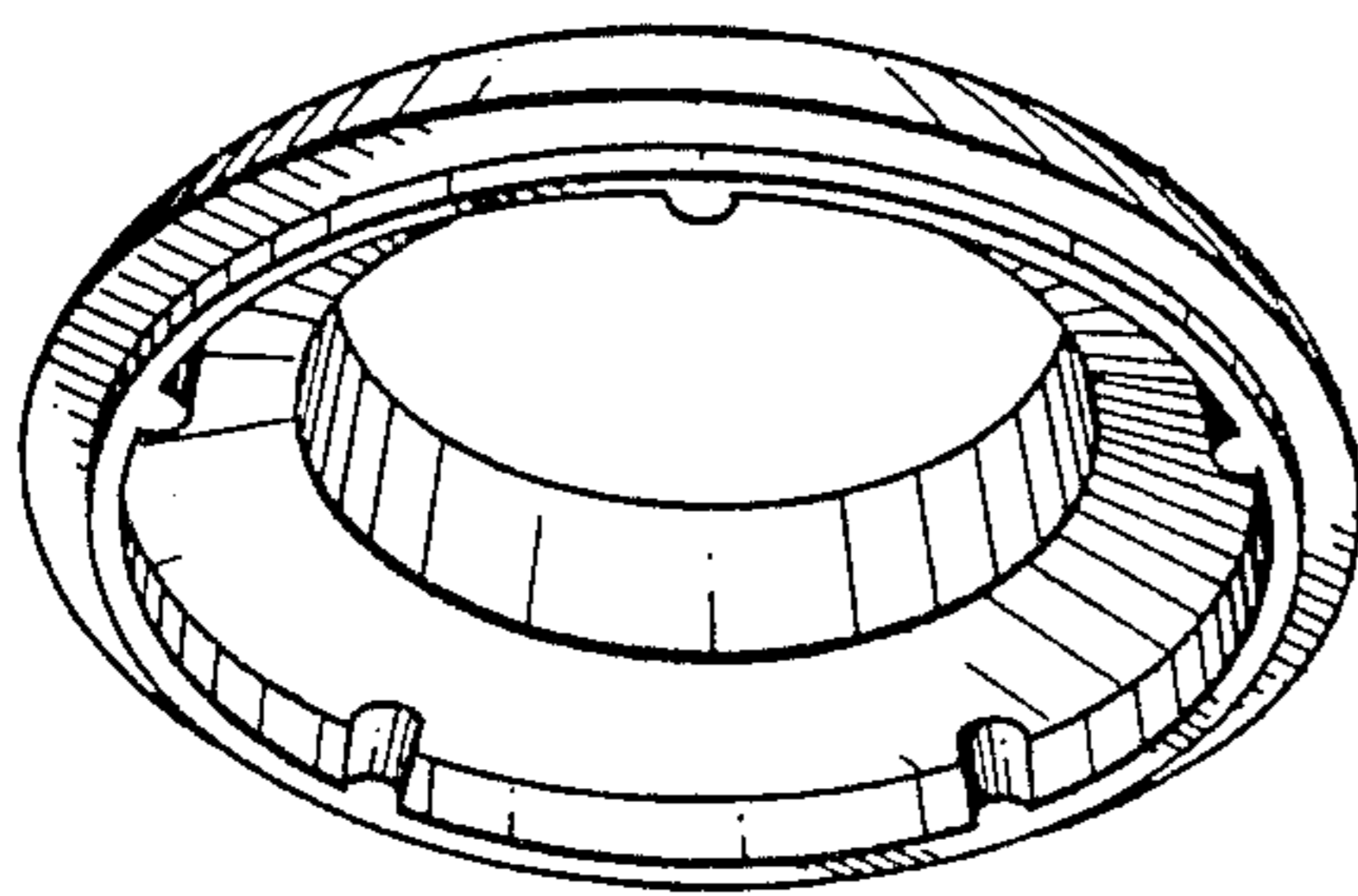


Fig. 3

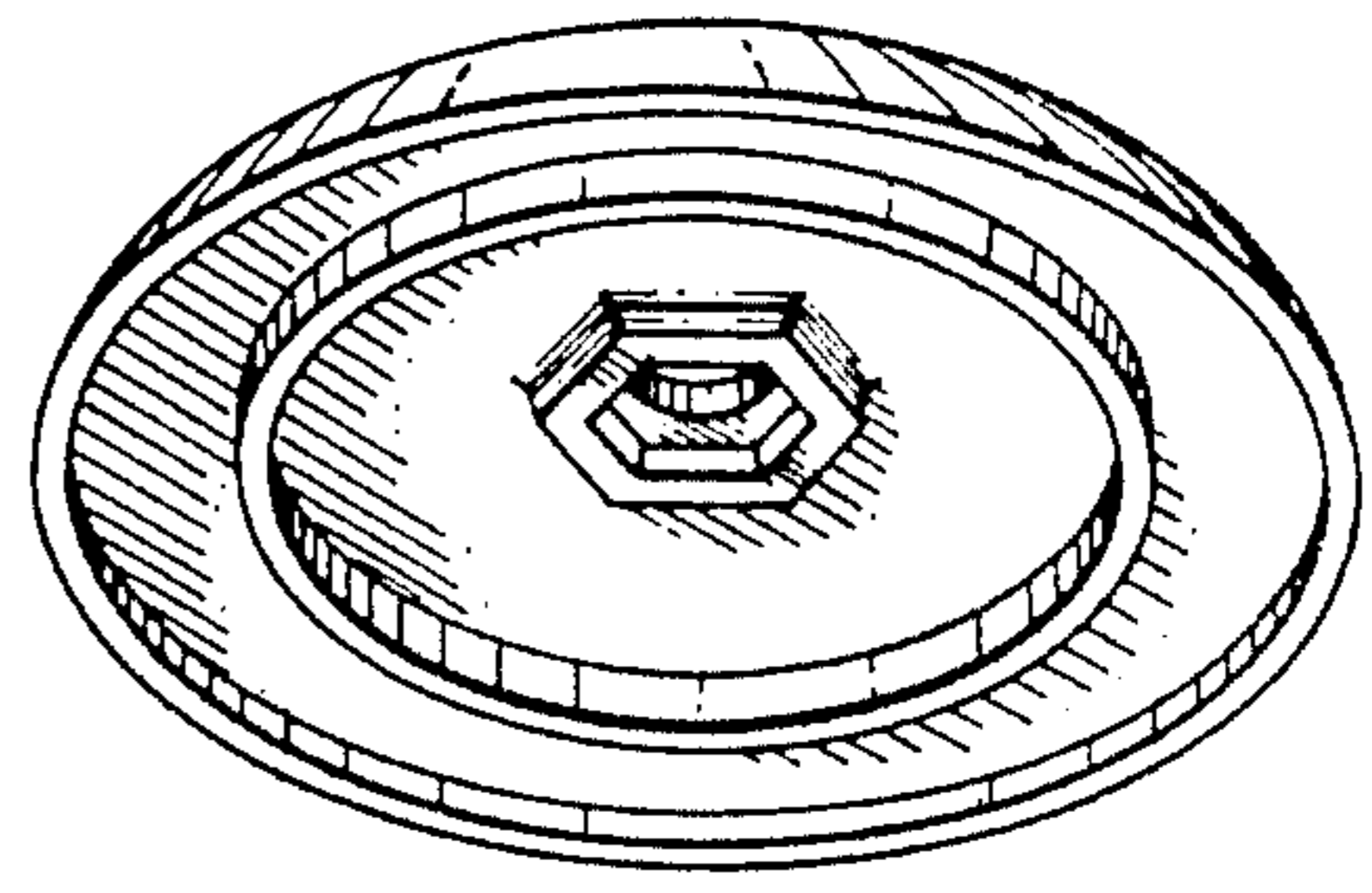


Fig. 6