

[54] MEDICINE DOSAGE SPOON

[75] Inventor: Terrance O. Noble, Rosemount, Minn.

[73] Assignee: Quanterron, Inc., Burnsville, Minn.

[\*\*] Term: 14 Years

[21] Appl. No.: 428,444

[22] Filed: Sep. 29, 1982

[52] U.S. Cl. .... D24/63; D7/50; D7/104; D7/141

[58] Field of Search ..... D24/63, 99; D7/50, 104, D7/141; 604/77, 78; 30/141

[56] References Cited

U.S. PATENT DOCUMENTS

- D. 171,538 2/1954 Gershen ..... D24/63
- D. 224,260 7/1972 Zeitzer et al. .... D24/63
- D. 252,371 7/1979 Folli ..... D7/50

- 1,543,209 6/1925 Fulton ..... 604/78
- 2,795,043 6/1957 Fleischer ..... 30/141 X
- 3,854,478 12/1974 Cunningham ..... 604/77

Primary Examiner—Catherine E. Kemper  
Attorney, Agent, or Firm—Merchant, Gould, Smith, Edell, Welter & Schmidt

[57] CLAIM

The ornamental deign for a medicine dosage spoon, substantially as shown and described.

DESCRIPTION

- FIG. 1 is a front perspective view of a medicine dosage spoon, showing my new design;
- FIG. 2 is a rear perspective view thereof;
- FIG. 3 is a front elevational view thereof;
- FIG. 4 is a rear elevational view thereof;
- FIG. 5 is a left side elevational view, the right side being a mirror image thereof;
- FIG. 6 is a top plan view thereof;
- FIG. 7 is a bottom plan view thereof.

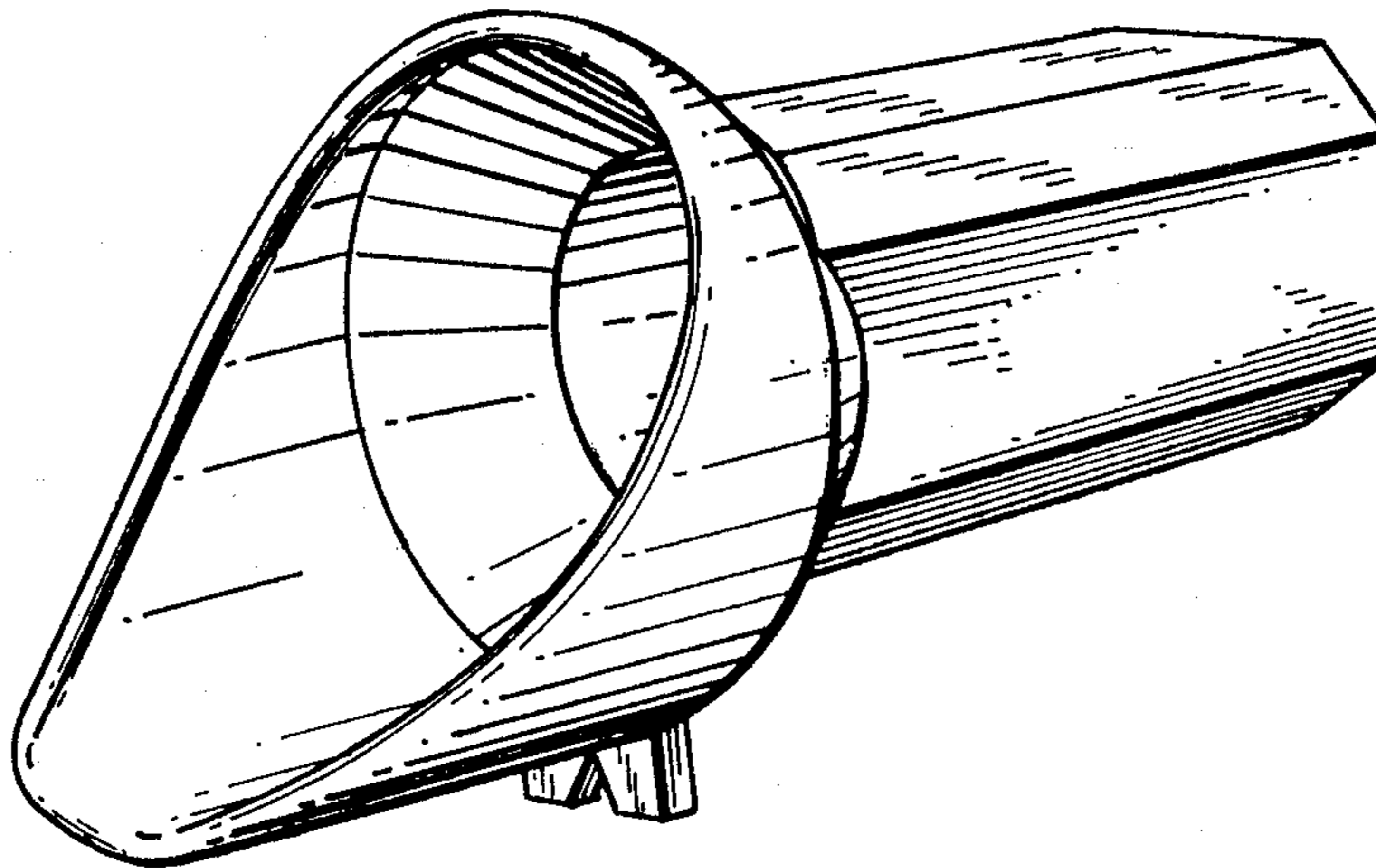


FIG. 1

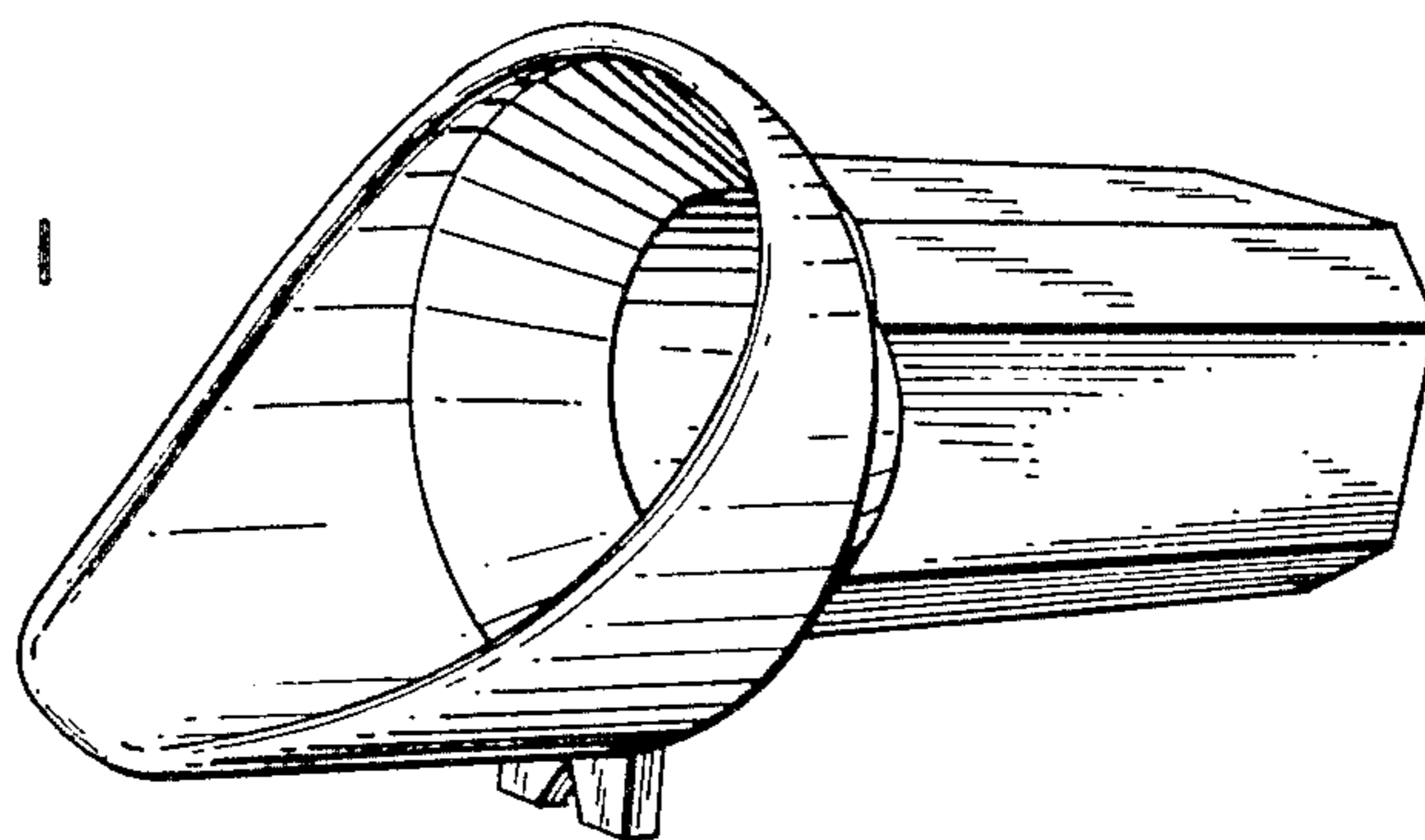


FIG. 2

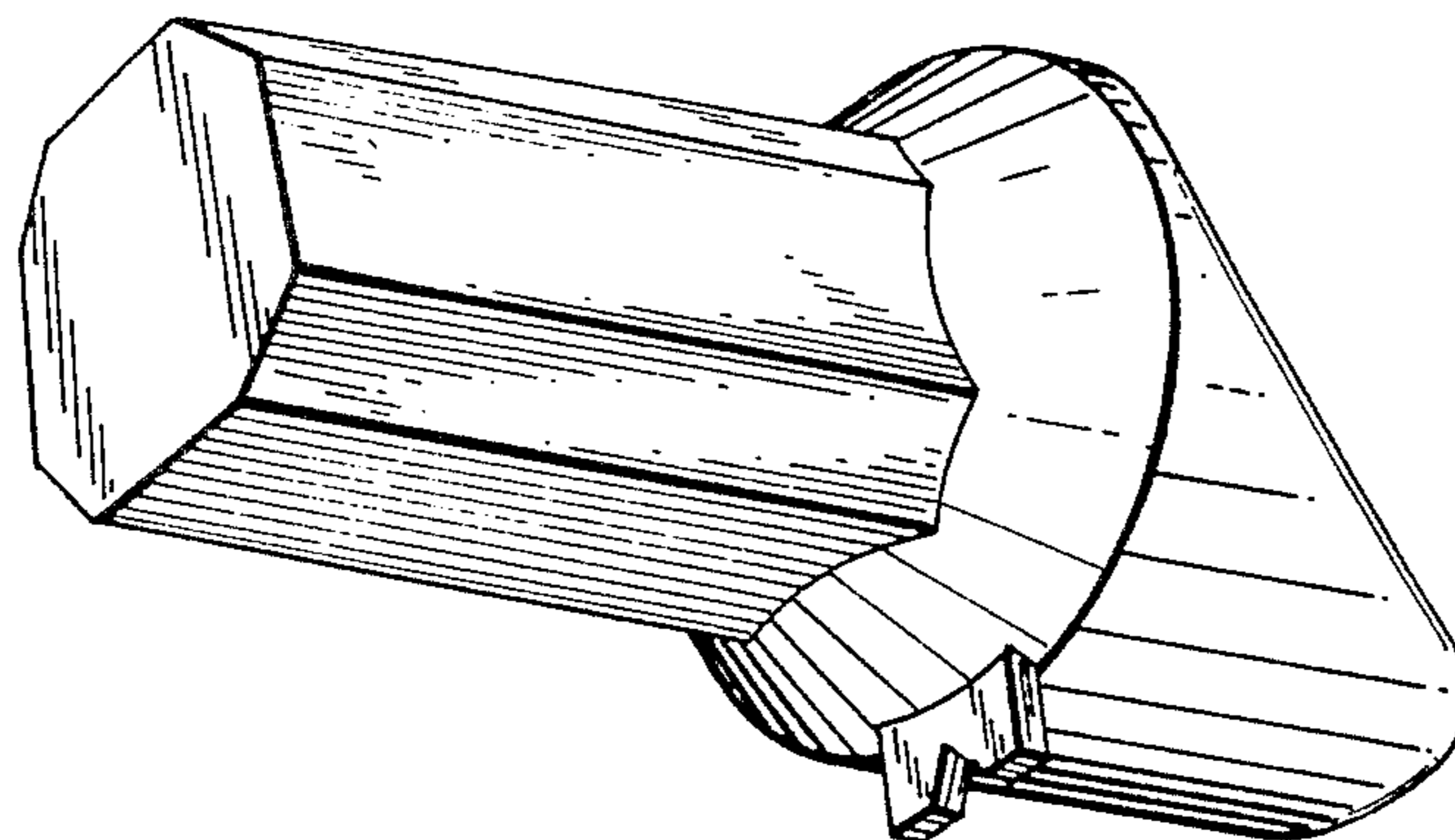


FIG. 3

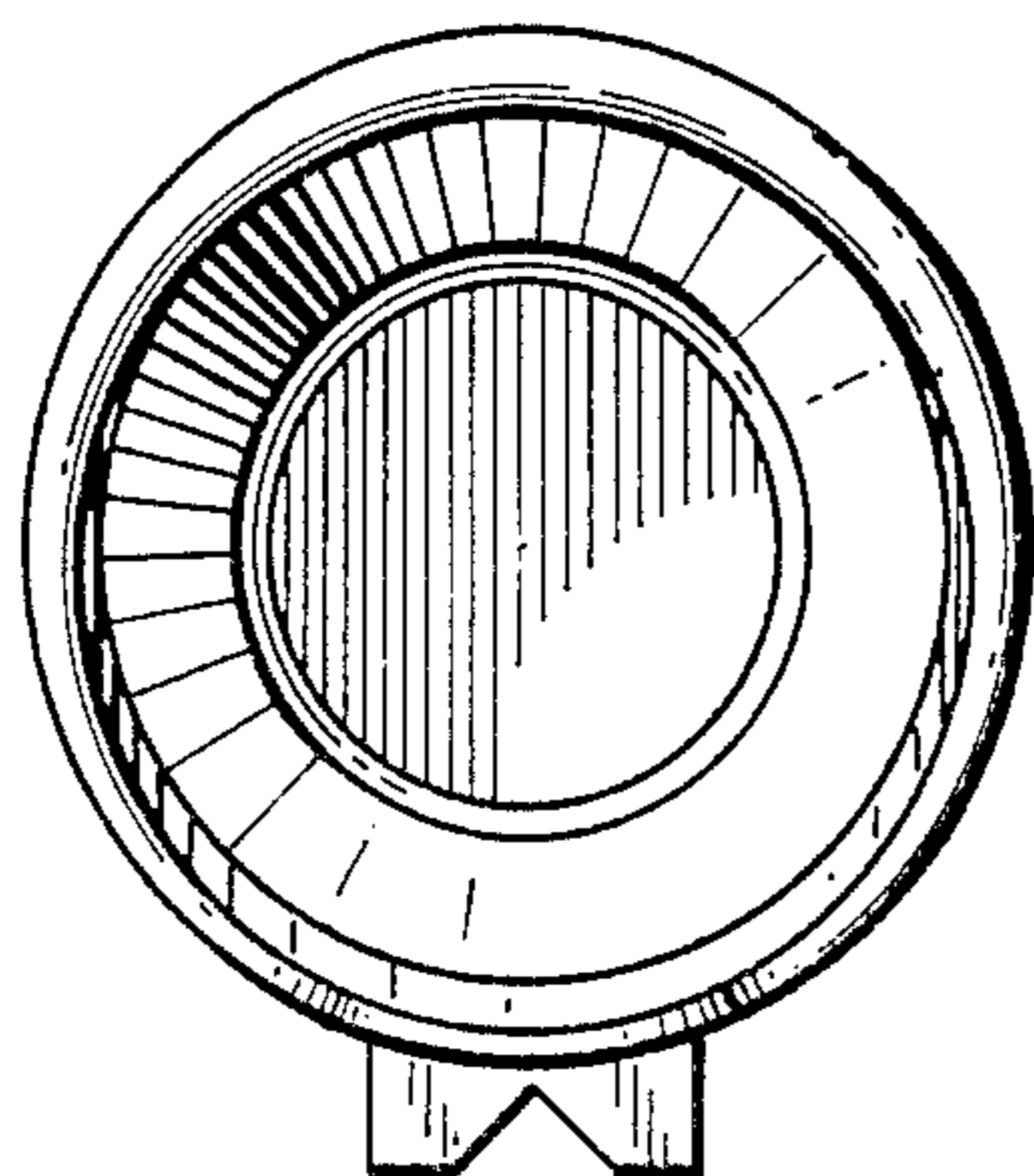


FIG. 4

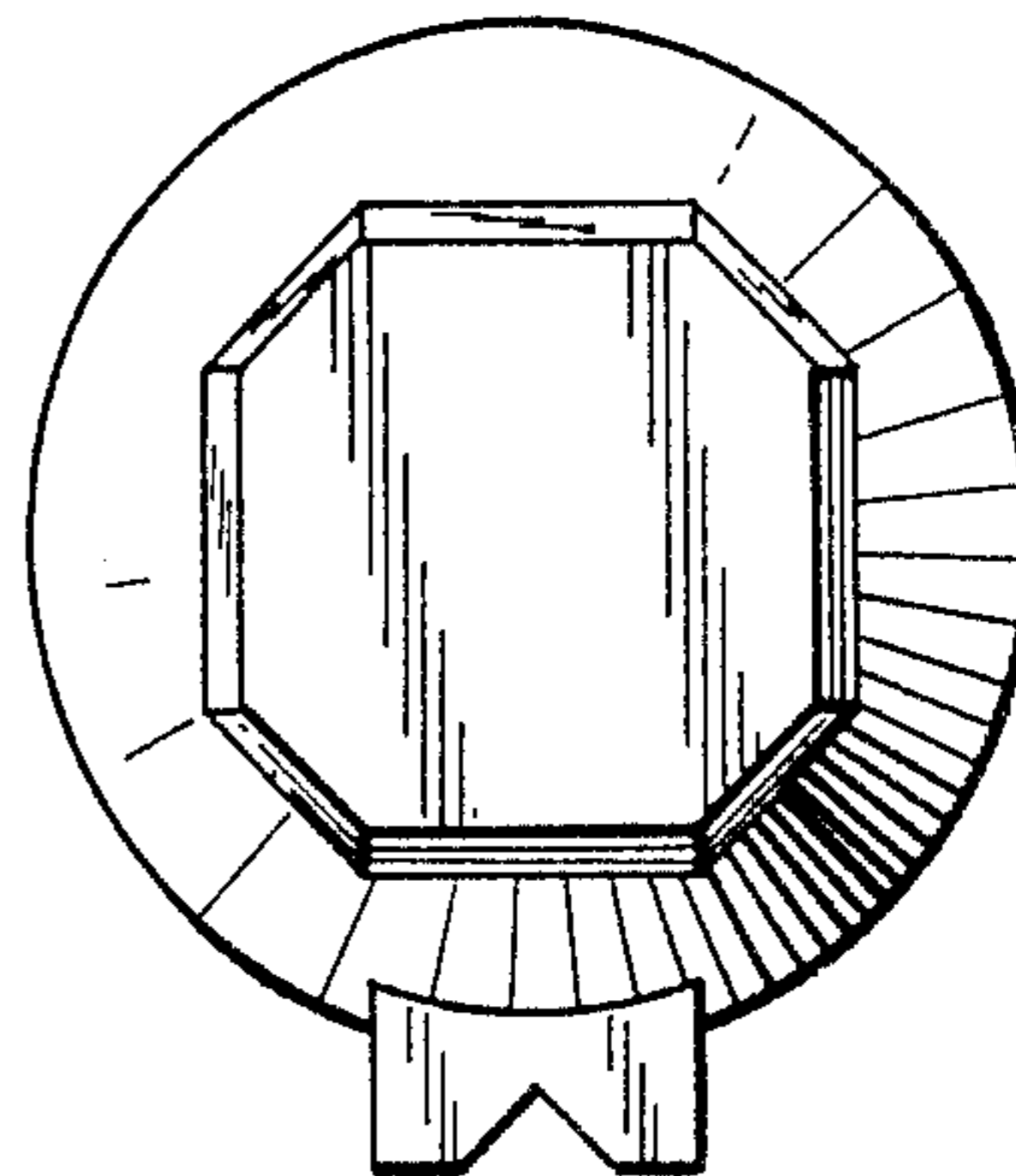


FIG. 5

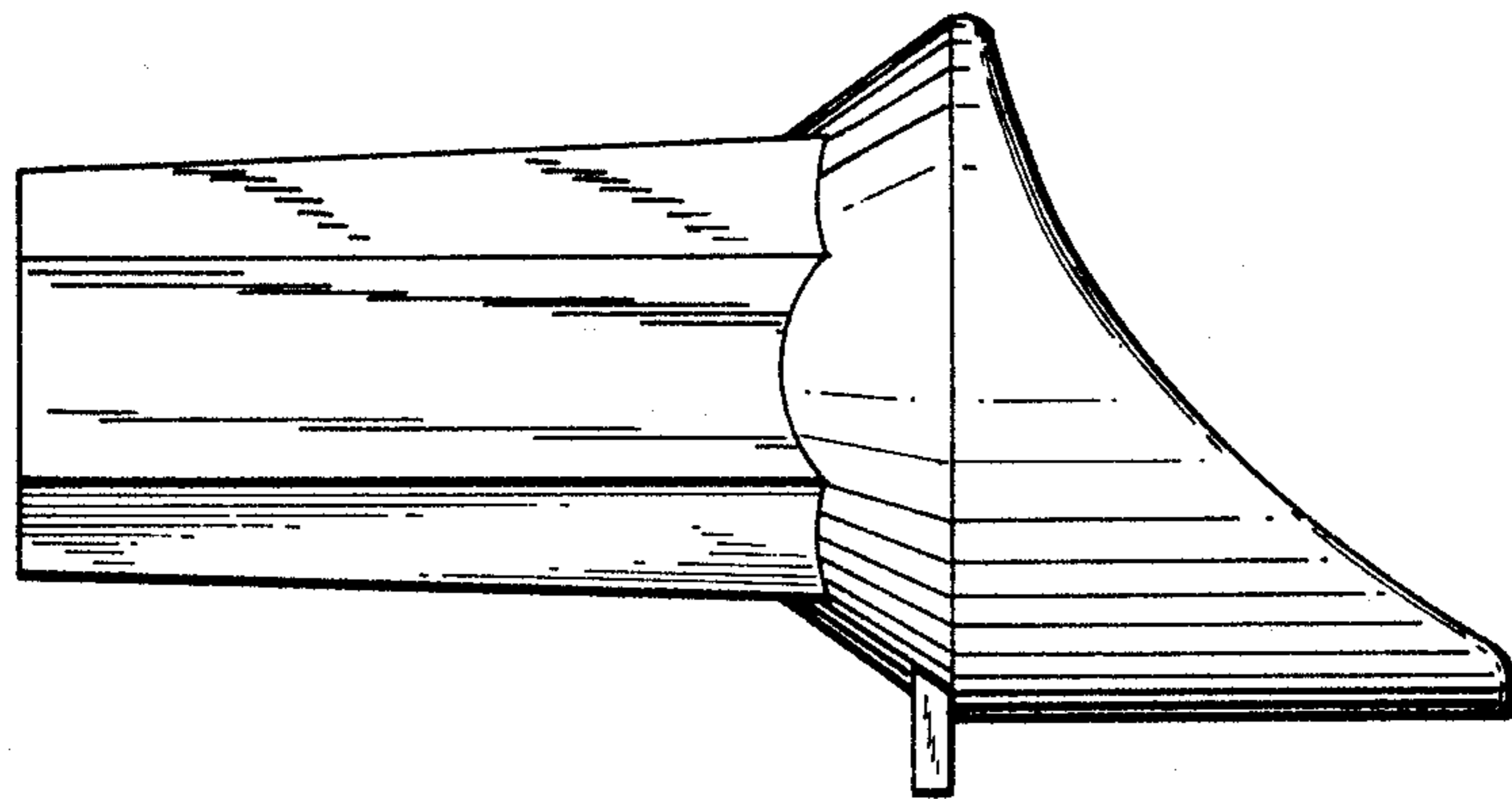


FIG. 6

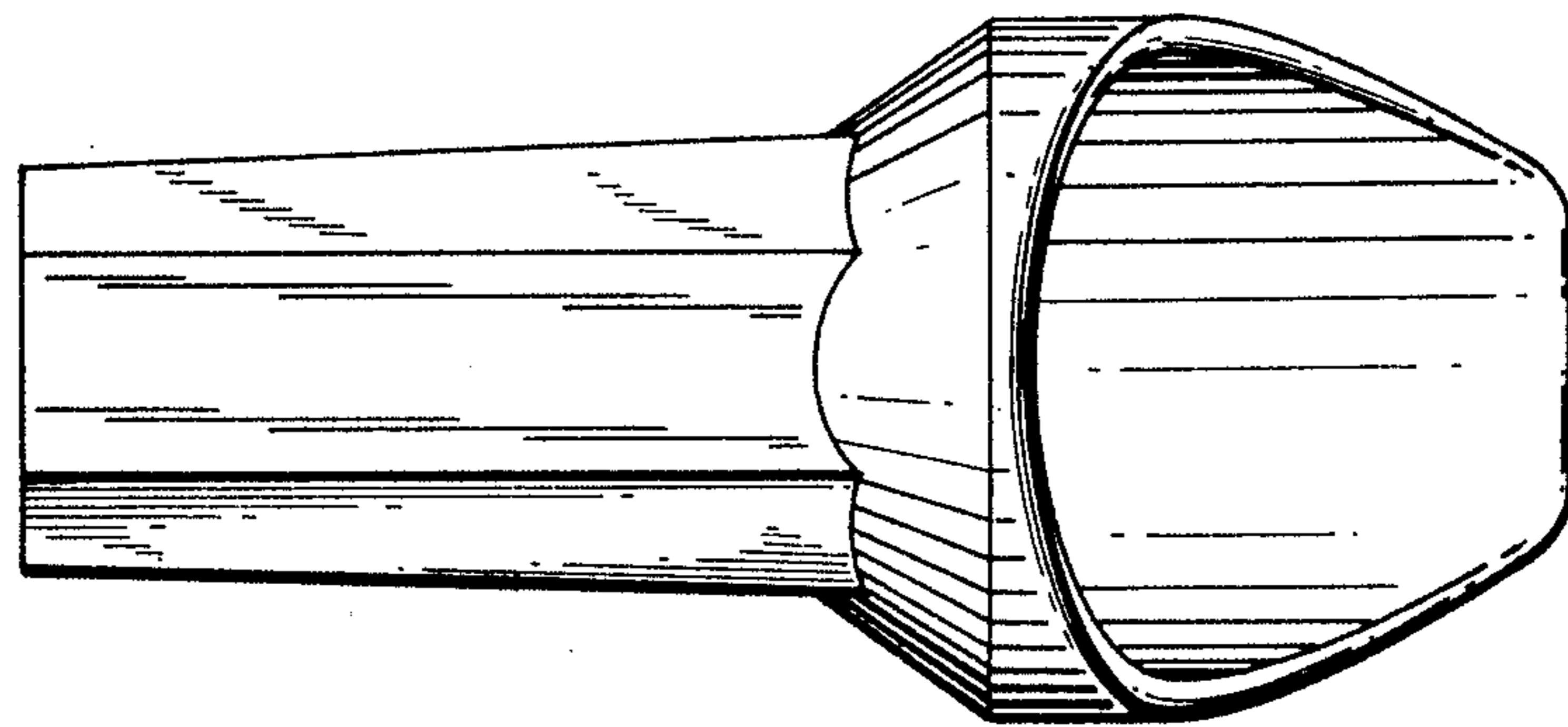


FIG. 7

