

[54] ULTRASONIC CONTACT LENS CLEANER

[75] Inventors: Allen E. Ripingill, Jr., Poway, Calif.;
Larry E. Rhoads, 1715 Hicks St.,
Oceanside, Calif. 92054

[73] Assignee: Larry E. Rhoads, Oceanside, Calif.

[**] Term: 14 Years

[21] Appl. No.: 344,633

[22] Filed: Feb. 1, 1982

[52] U.S. Cl. D24/9

[58] Field of Search D24/9; 422/300, 297,
422/299, 307

[56] References Cited

U.S. PATENT DOCUMENTS

D. 256,391 8/1980 Thomas et al. D24/9

D. 257,789 1/1981 Thomas et al. D24/9
D. 259,441 6/1981 Hauser D24/9
D. 261,550 10/1981 Thomas et al. D24/9
D. 267,344 12/1982 Sundström D24/9

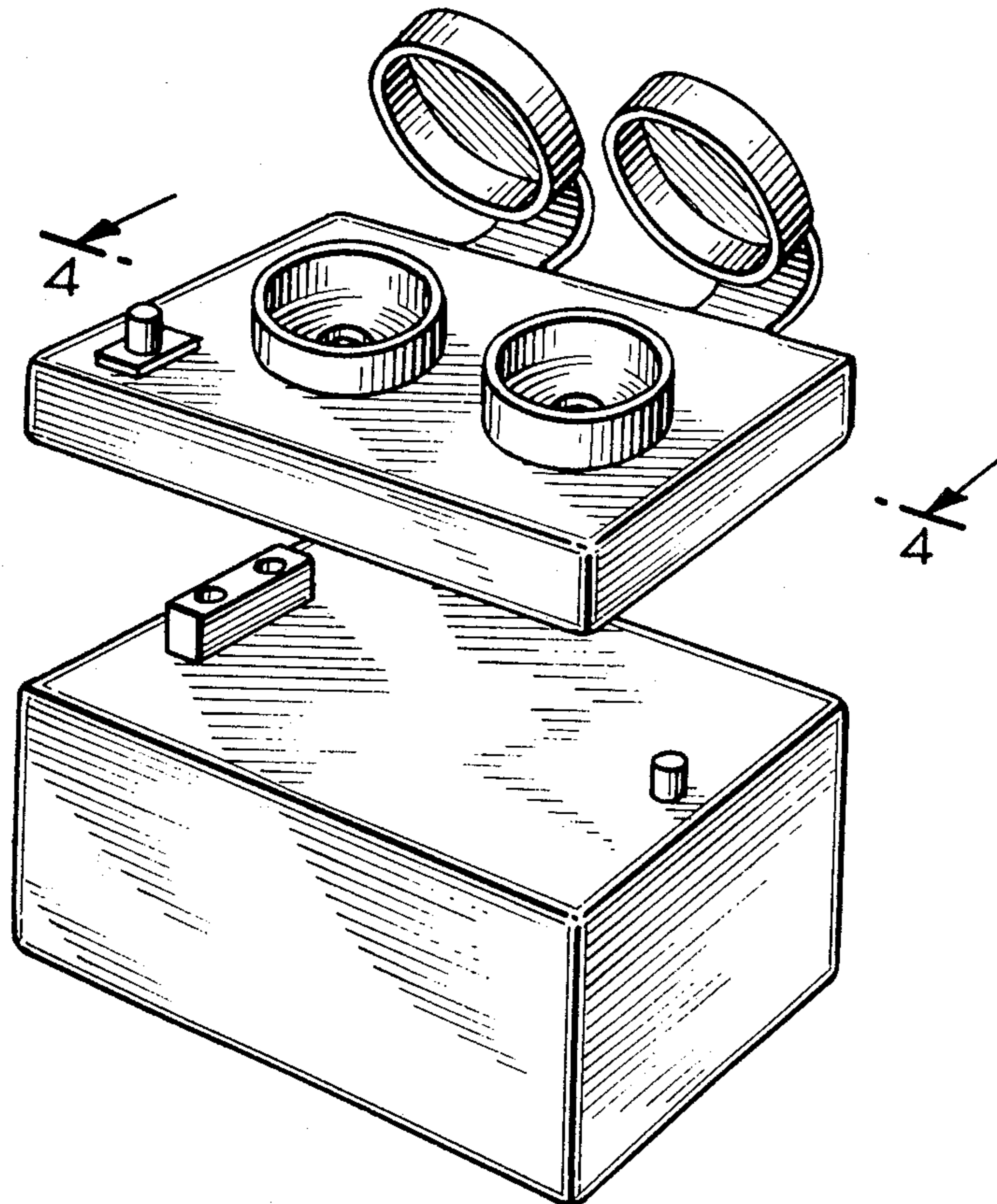
Primary Examiner—Susan J. Lucas
Attorney, Agent, or Firm—L. E. Massie

[57] CLAIM

The ornamental design for an ultrasonic contact lens cleaner, as shown.

DESCRIPTION

FIG. 1 is an exploded perspective view of an ultra-sonic contact lens cleaner showing our new design;
FIG. 2 is an exploded right side elevational view thereof;
FIG. 3 is an exploded rear elevational view thereof;
FIG. 4 is a cross-sectional view taken along line 4—4 of FIG. 1.



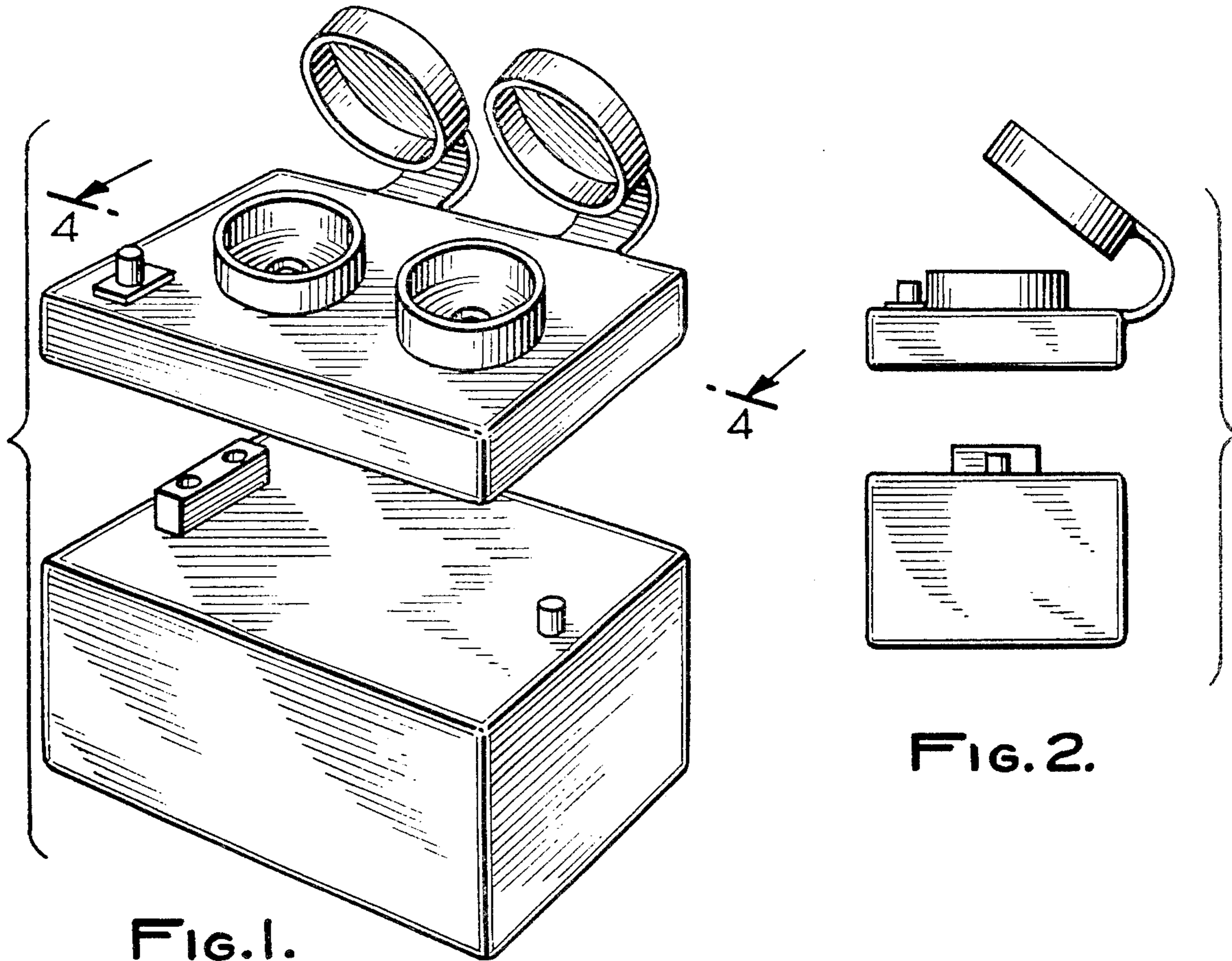


FIG. 1.

FIG. 2.

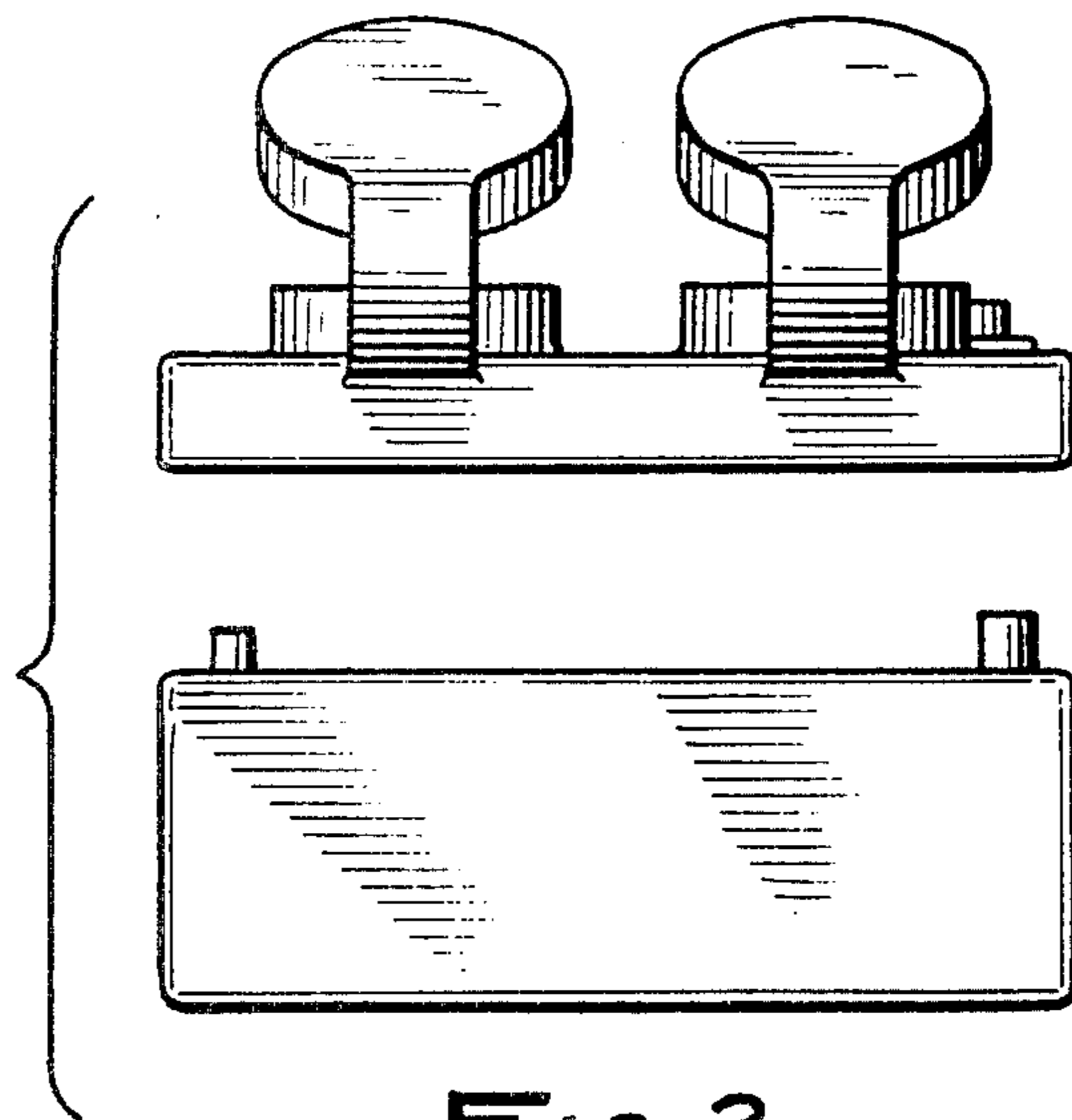


FIG. 3.



FIG. 4.