

[54] ELECTRIC FAN

[75] Inventor: Shinichi Morooka, Osaka, Japan

[73] Assignee: Sharp Corporation, Osaka, Japan

[**] Term: 14 Years

[21] Appl. No.: 436,748

[22] Filed: Oct. 12, 1982

[52] U.S. Cl. D23/155

[58] Field of Search D23/155-162;
215/121 G; 416/247; 417/23 A

[56] References Cited

U.S. PATENT DOCUMENTS

D. 167,759	9/1952	McFarland	D23/155
D. 270,662	9/1983	Scotto	D23/155
D. 270,941	10/1983	Lin	D23/155
3,173,478	3/1965	Mareen	416/247
4,341,515	7/1982	Sakamoto	417/234

OTHER PUBLICATIONS

Hardware Age Feb. 22, 1951, p. 41, top right item.
Industrial Design, Apr. 1954, p. 127, lower left item.

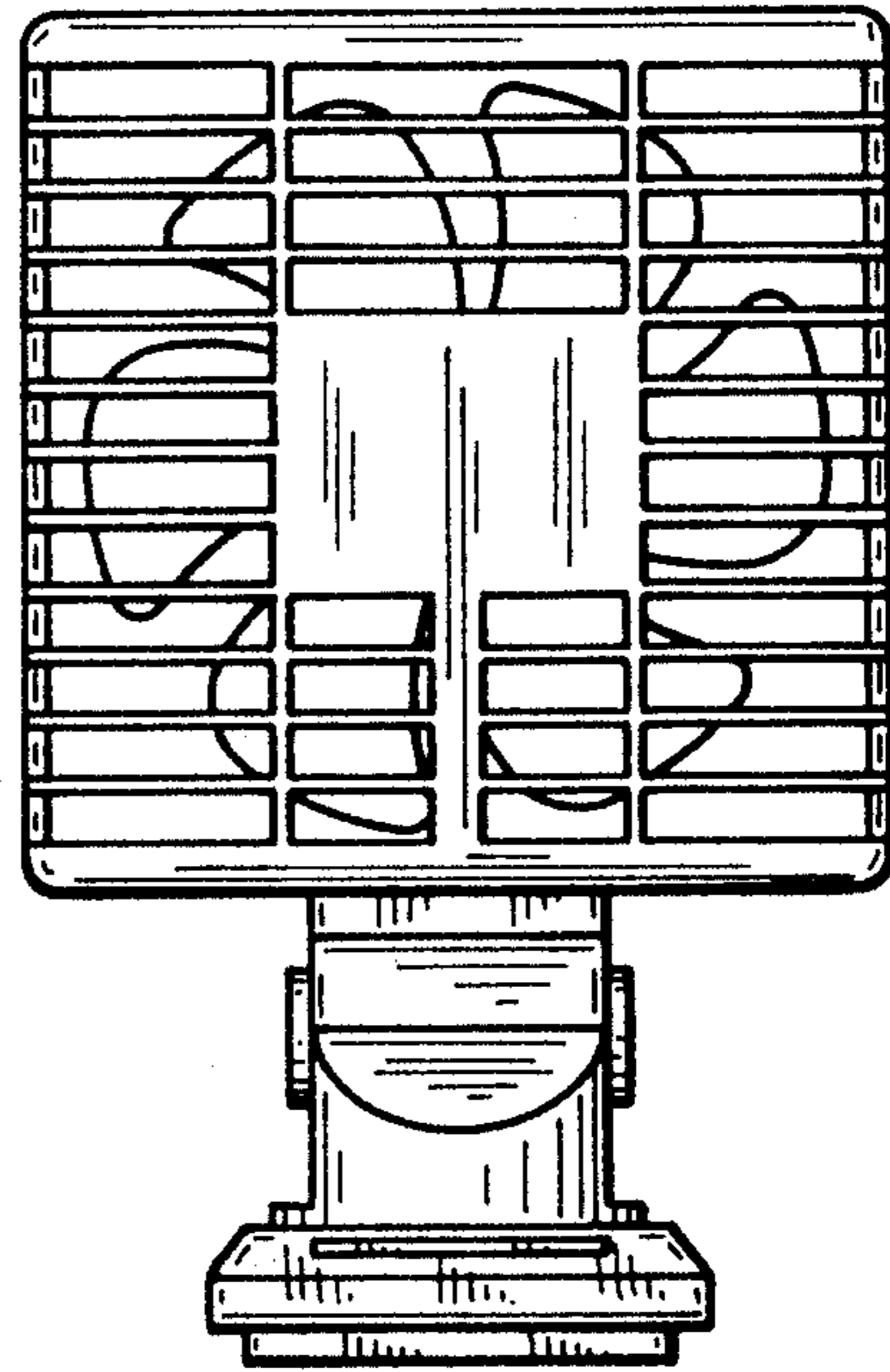
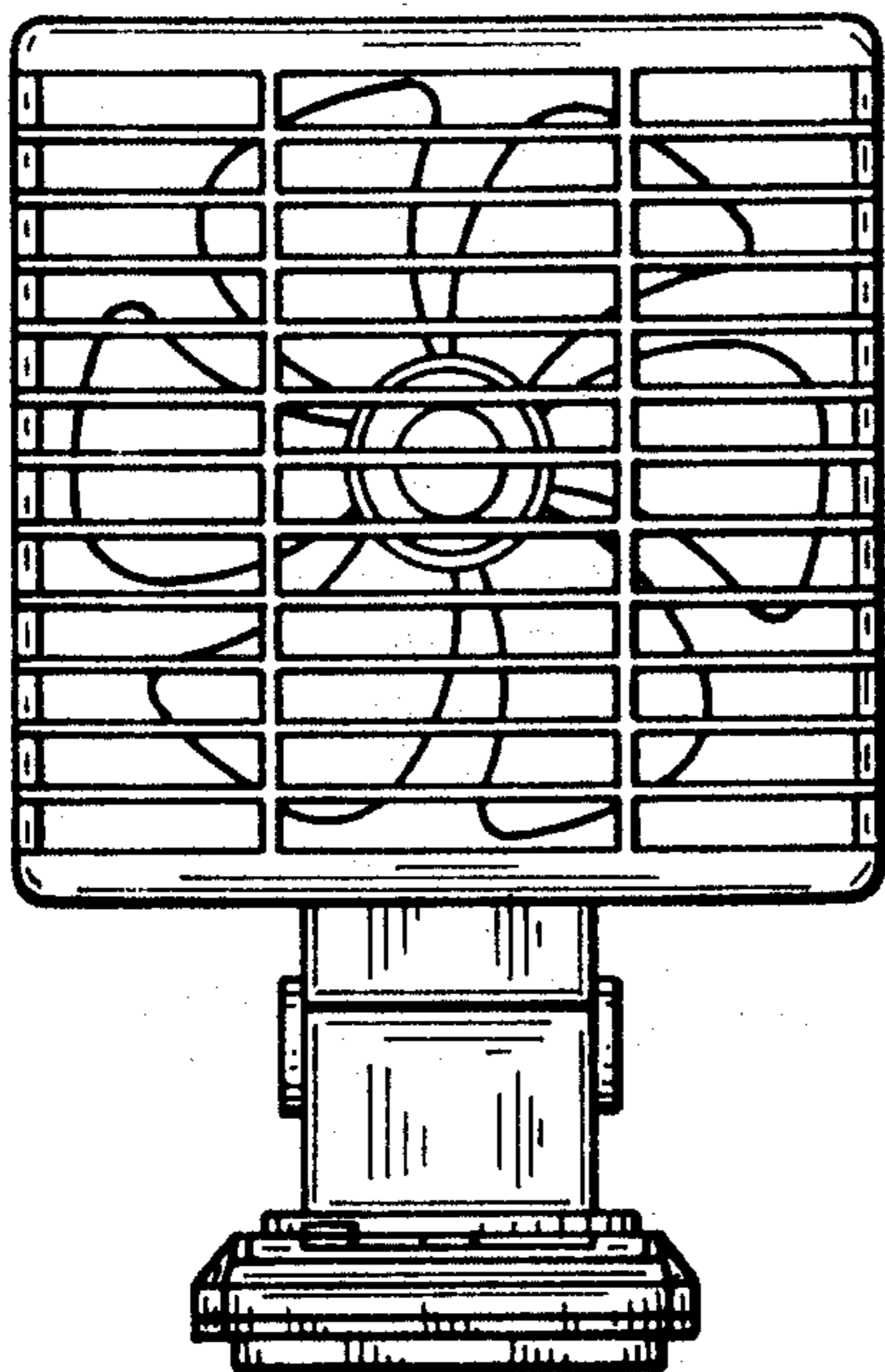
Primary Examiner—James R. Largen
Attorney, Agent, or Firm—Flehr, Hohbach, Test,
Albritton & Herbert

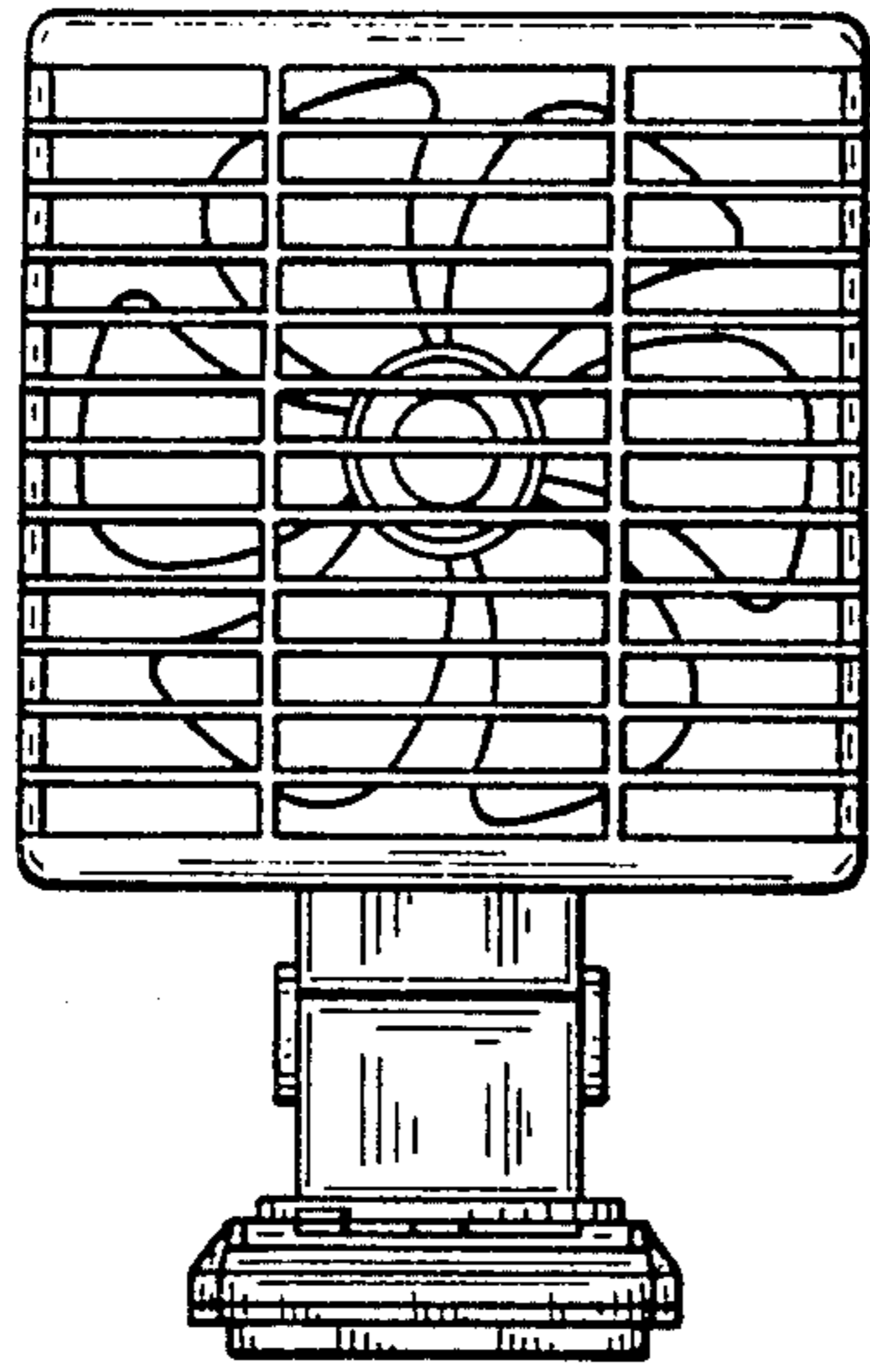
[57] CLAIM

The ornamental design for an electric fan, as shown and described.

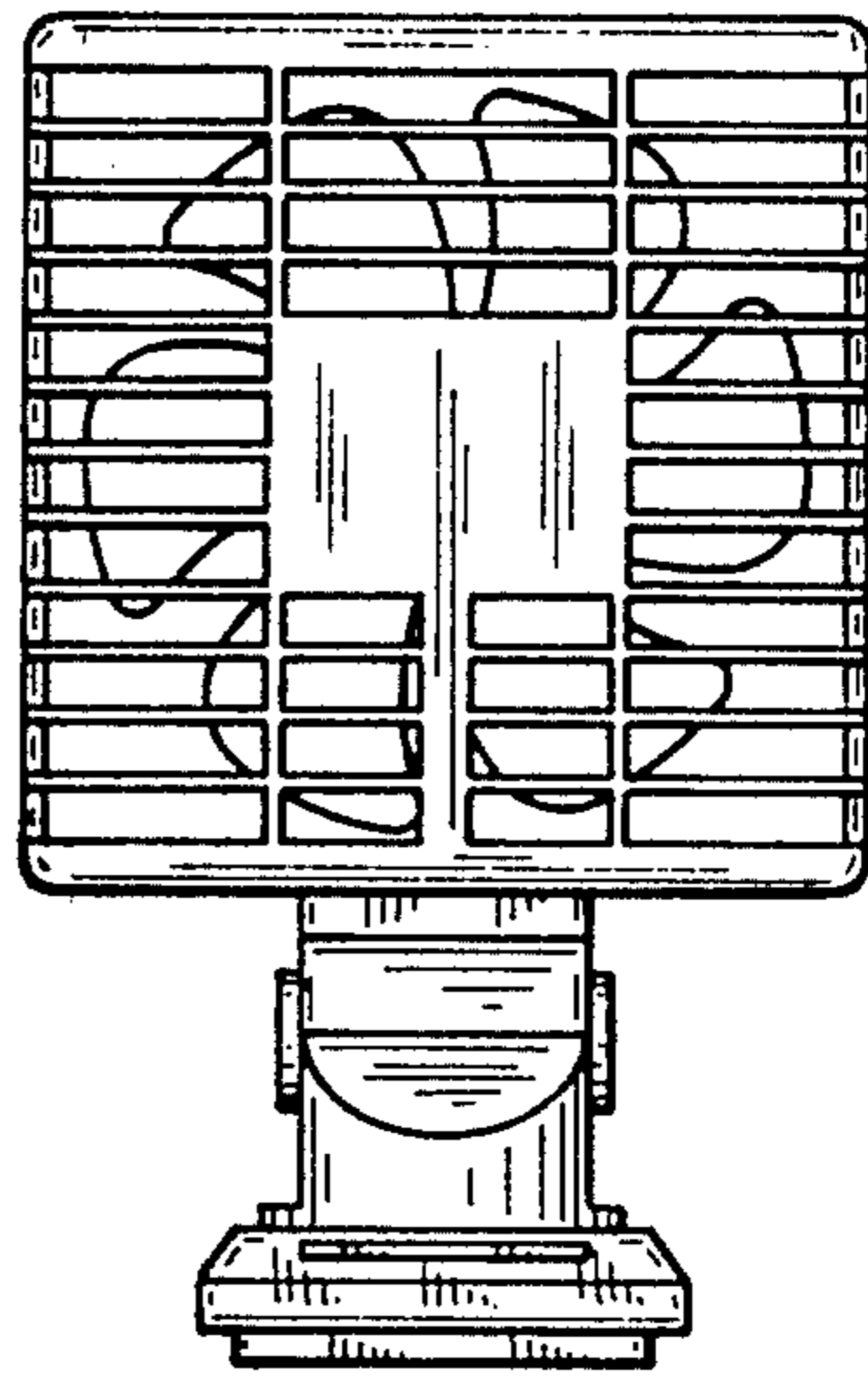
DESCRIPTION

FIG. 1 is a front elevational view of the electric fan showing my new design;
FIG. 2 is a rear elevational view thereof;
FIG. 3 is a left side elevational view thereof;
FIG. 4 is a right side elevational view thereof;
FIG. 5 is a top plan view thereof; and
FIG. 6 is a bottom plan view thereof.

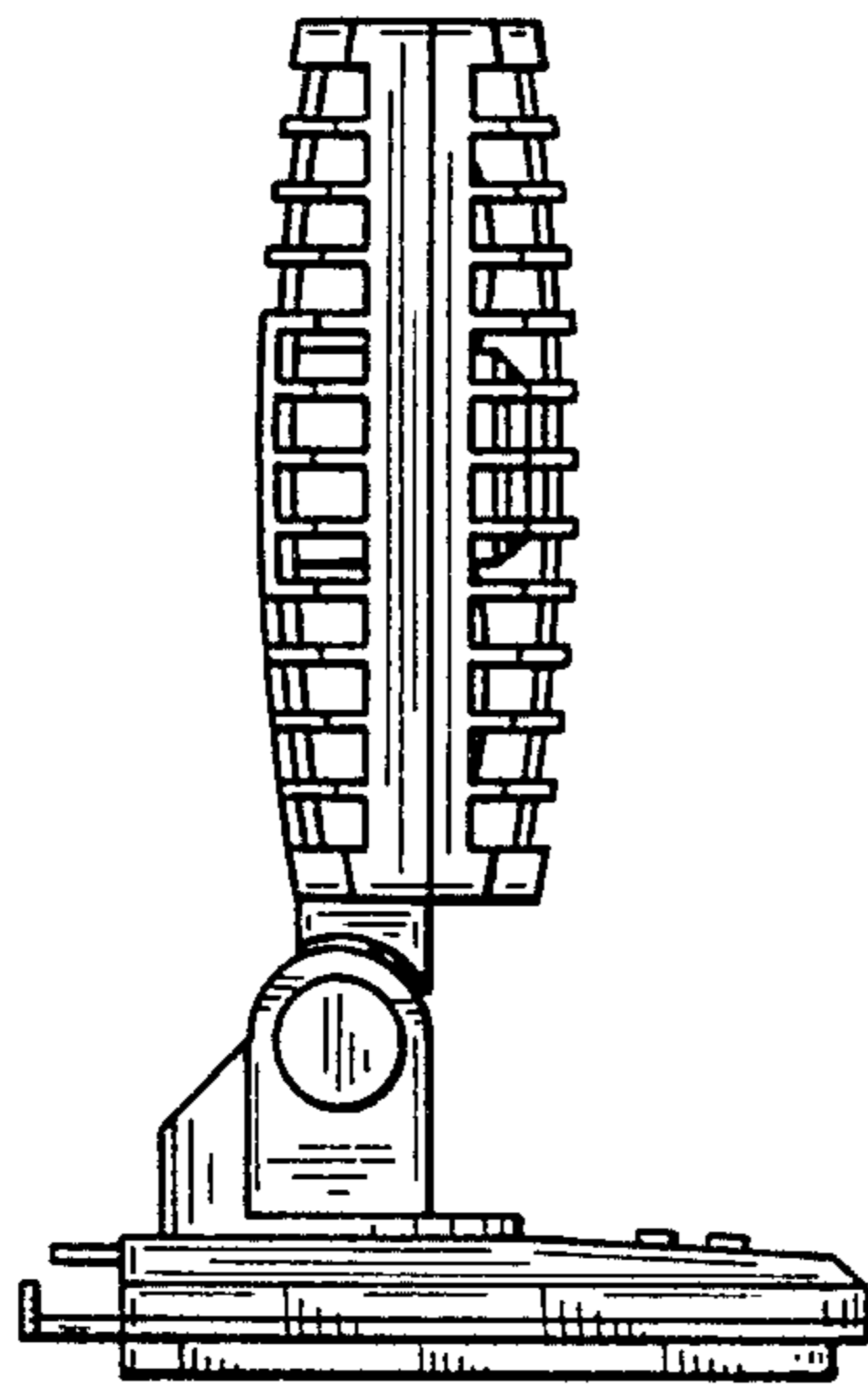




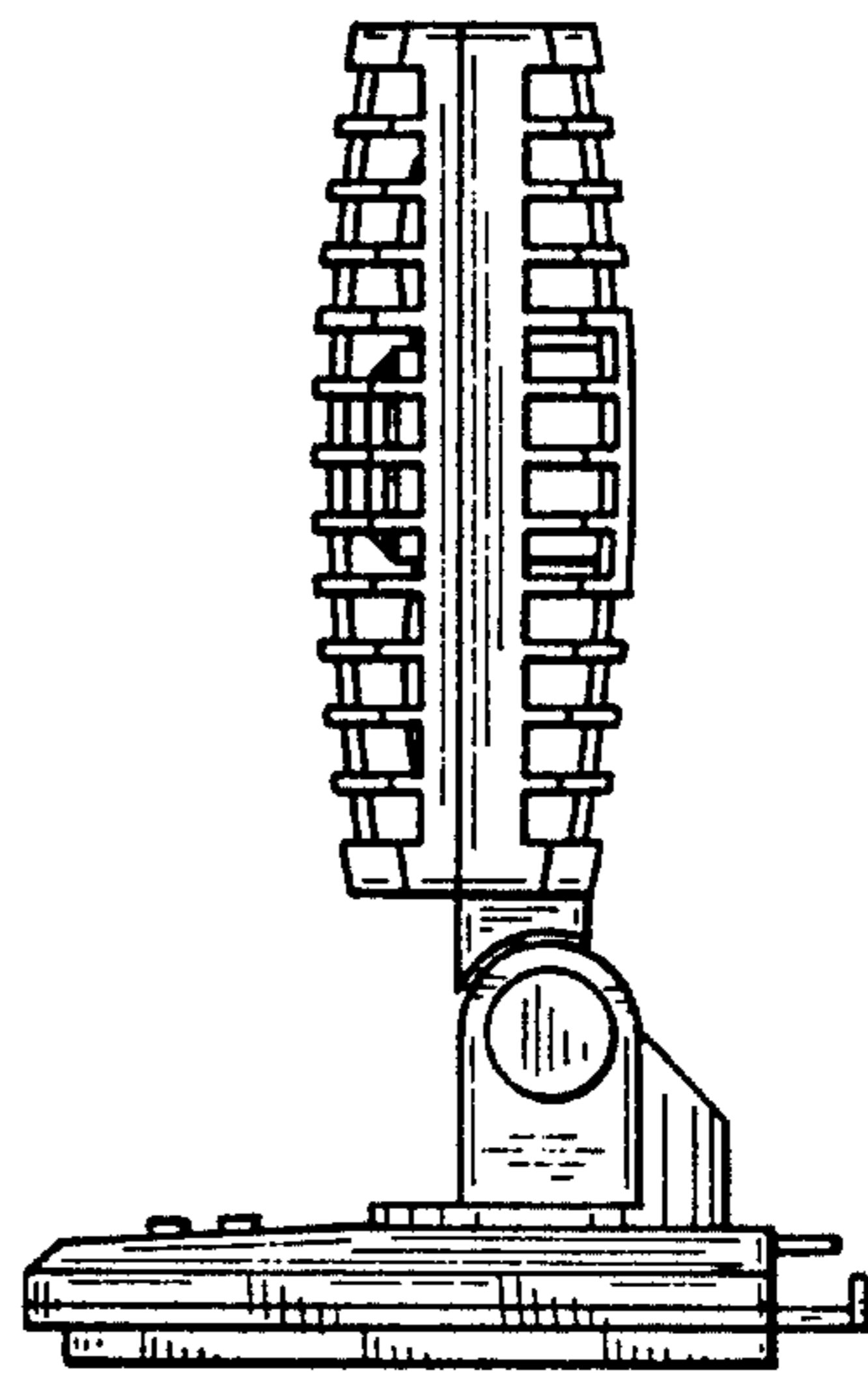
FIG_1



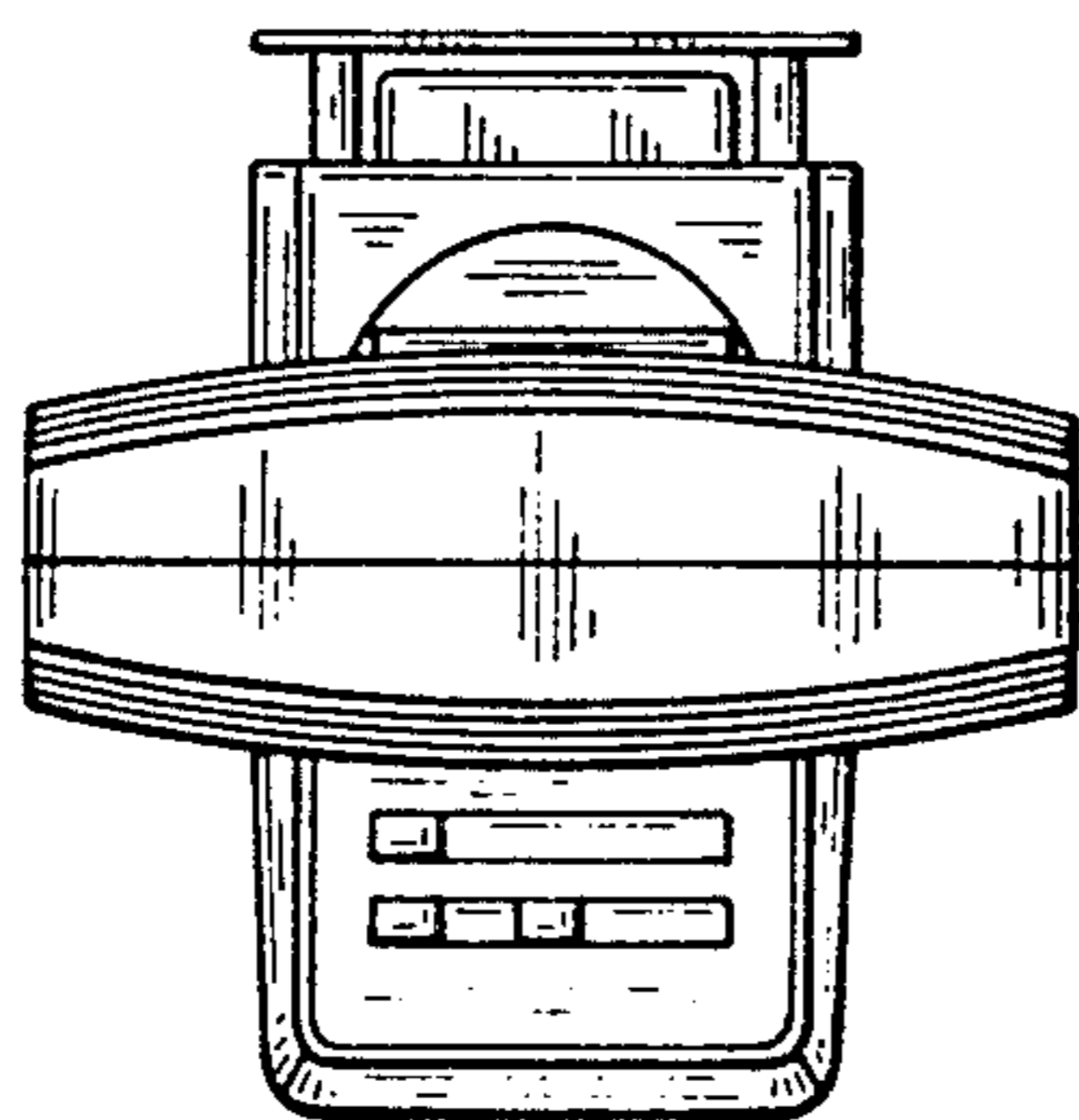
FIG_2



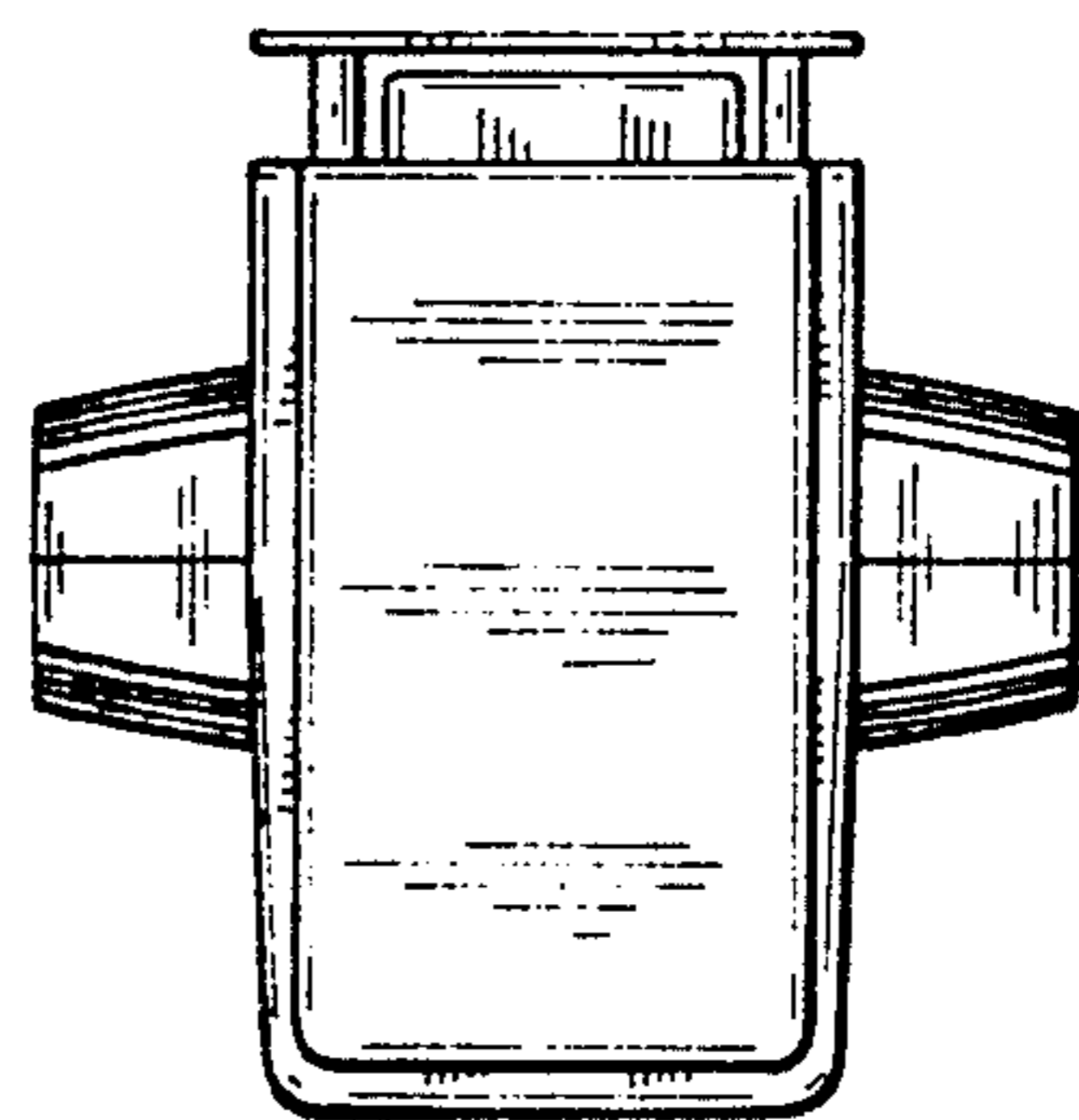
FIG_3



FIG_4



FIG_5



FIG_6