

[54] STOVE

[75] Inventor: Hideo Nishikawa, Osaka, Japan

[73] Assignee: Imanishi Kinzoku Kogyo Kabushiki Kaisha, Osaka, Japan

[\*\*] Term: 14 Years

[21] Appl. No.: 357,794

[22] Filed: Mar. 12, 1982

[30] Foreign Application Priority Data

Dec. 2, 1981 [JP]	Japan	56-5365
[52] U.S. Cl.		D23/123
[58] Field of Search	D23/92, 93, 119-124;	26/92, 97

[56]

References Cited  
PUBLICATIONS

Hardware Age-Aug. 1980-p. 233-Kerosun Heaters.  
Hardware Age-Jan. 1980-p. 163-Kerosun Heater.

Primary Examiner—Catherine E. Kemper  
Attorney, Agent, or Firm—McCormick, Paulding & Huber

[57]

CLAIM

The ornamental design for a stove, as shown and described.

DESCRIPTION

FIG. 1 is a perspective view of a stove showing my new design; and  
FIG. 2 is another perspective view thereof.

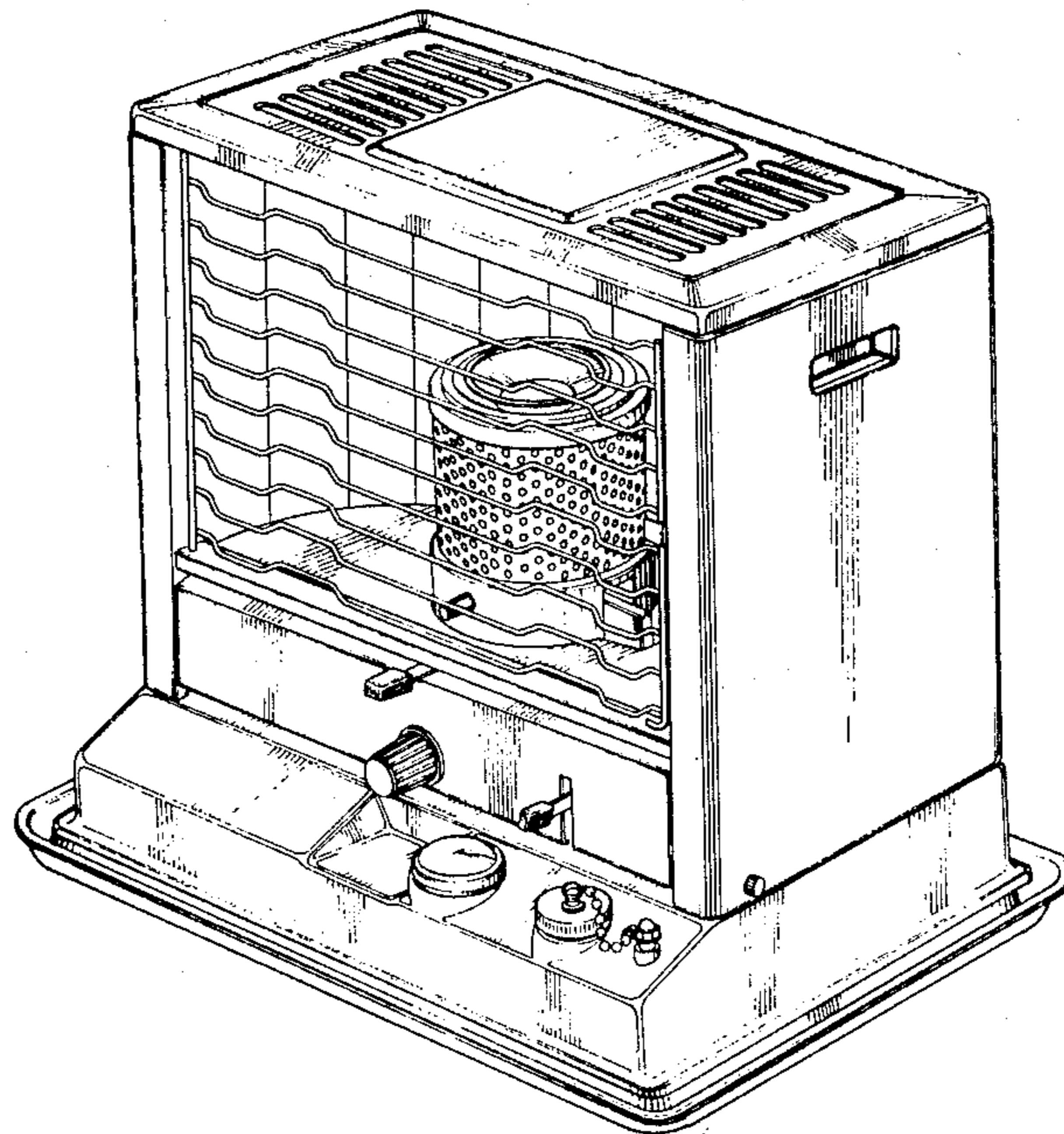


FIG. 1

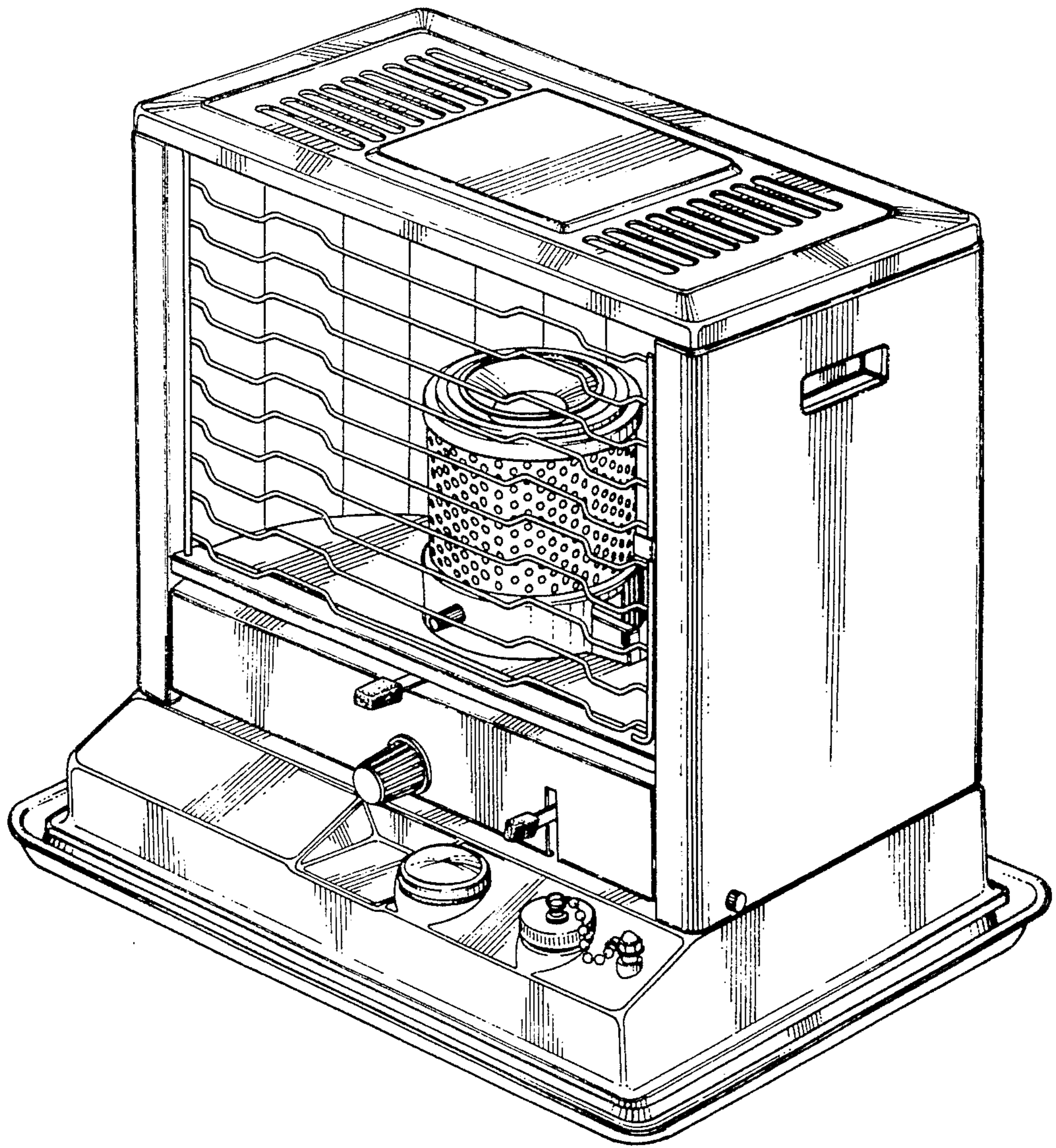


FIG. 2

