

[54] STOVE

[75] Inventors: Kenzo Okamoto; Hiroichi Sakai; Fumihiko Kitada; Hideharu Kimura, all of Osaka, Japan

[73] Assignee: Imanishi Kinzoku Kogyo Kabushiki Kaisha, Osaka, Japan

[**] Term: 14 Years

[21] Appl. No.: 417,363

[22] Filed: Sep. 13, 1982

[30] Foreign Application Priority Data

Jun. 22, 1982 [JP] Japan 57-28164

[52] U.S. Cl. D23/121

[58] Field of Search D23/92, 93, 119-124; 126/92-97

[56] References Cited

PUBLICATIONS

Hardware Age-May 1980-p. 111-Corona Heater.
Hardware Age-Jul. 1980-p. 153-Kerosun Heaters.
Hardware Age-Apr. 1981-p. 82-Yuasa Heater.

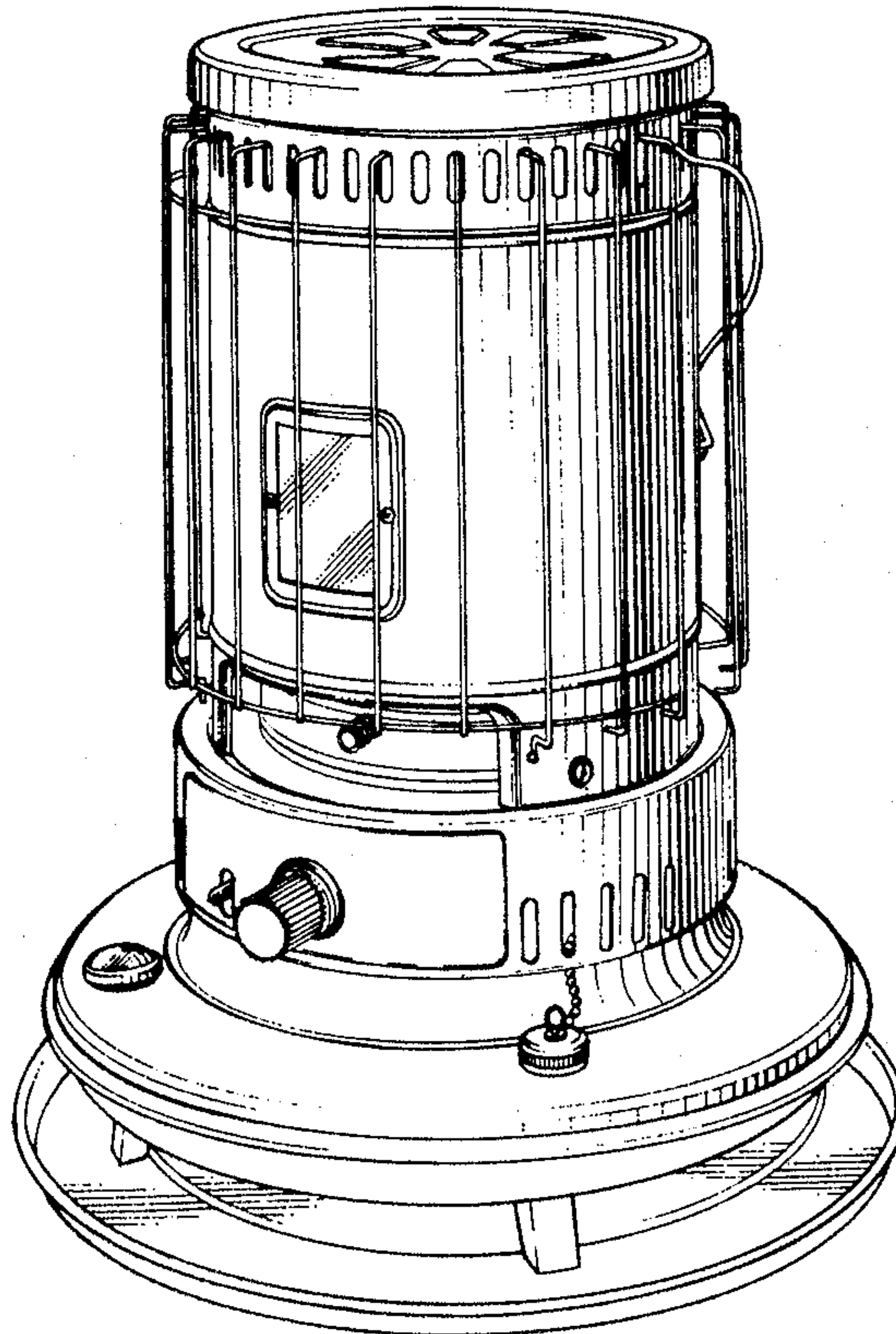
Primary Examiner—Catherine E. Kemper
Attorney, Agent, or Firm—McCormick, Paulding & Huber

CLAIM

[57] The ornamental design for a stove, as shown and described.

DESCRIPTION

FIG. 1 is a perspective view of a stove showing our new design; and
FIG. 2 is another perspective view thereof.



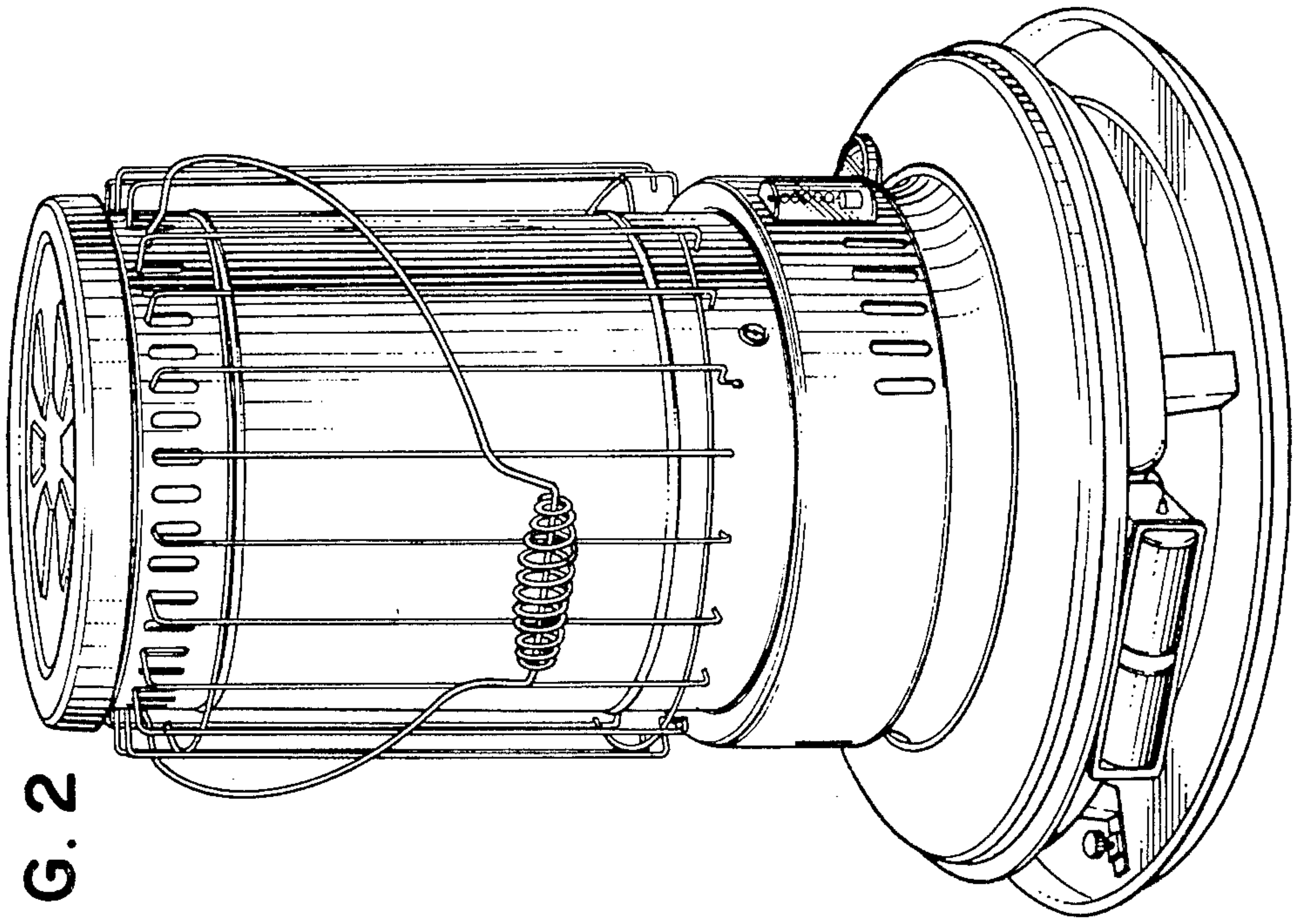


FIG. 2

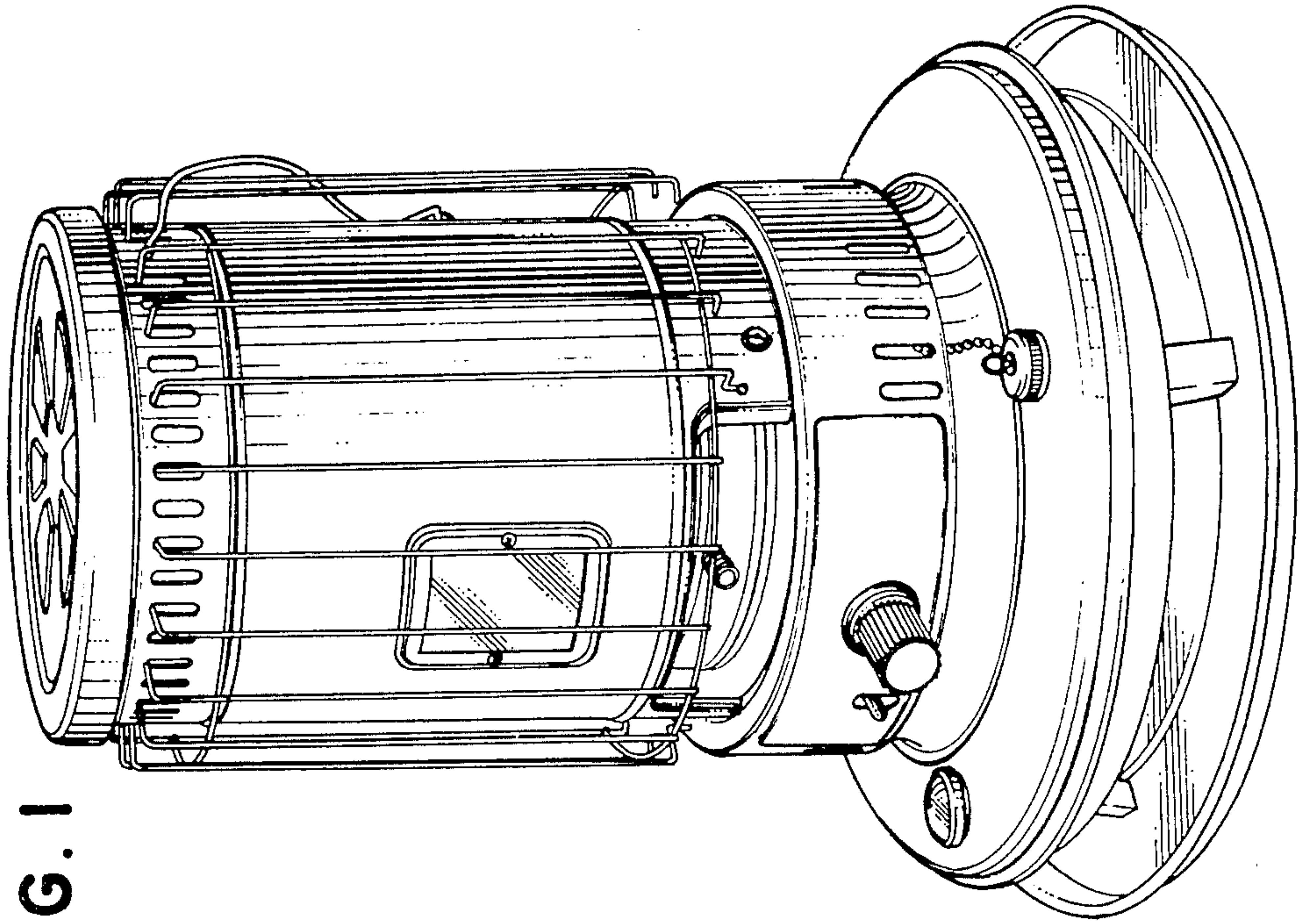


FIG. 1