

[54] OIL HEATER

[56]

References Cited

PUBLICATIONS

[75] Inventors: Daisaku Mori; Youichi Takahashi, both of Nara, Japan

Hardware Age-May 1980-p. 111-Corona Heater.
Hardware Age-Apr. 1981-p. 82-Yuasa Heater J-50.
Hardware Age-May 1981-p. 8-Kerosun Heaters.
Hardware Age-Sep. 1980-p. 75-Kerotech Beacon Heater.

[73] Assignee: Matsushita Electric Industrial Co., Ltd., Osaka, Japan

Primary Examiner—Catherine E. Kemper
Attorney, Agent, or Firm—Sughrue, Mion, Zinn, Macpeak & Seas

[**] Term: 14 Years

[57]

CLAIM

[21] Appl. No.: 389,794

The ornamental design for an oil heater, as shown.

[22] Filed: Jun. 18, 1982

DESCRIPTION

[30] Foreign Application Priority Data

Feb. 19, 1982 [JP] Japan 57-7133

[52] U.S. Cl. D23/121

[58] Field of Search D23/92, 93, 119-124;
126/92-97

FIG. 1 is a front, top and right side perspective view of an oil heater showing our new design;
FIG. 2 is a rear, bottom and left side perspective view thereof;
FIG. 3 is a left side elevational view thereof;
FIG. 4 is a right side elevational view thereof;
FIG. 5 is a top plan view thereof; and
FIG. 6 is a bottom plan view thereof.

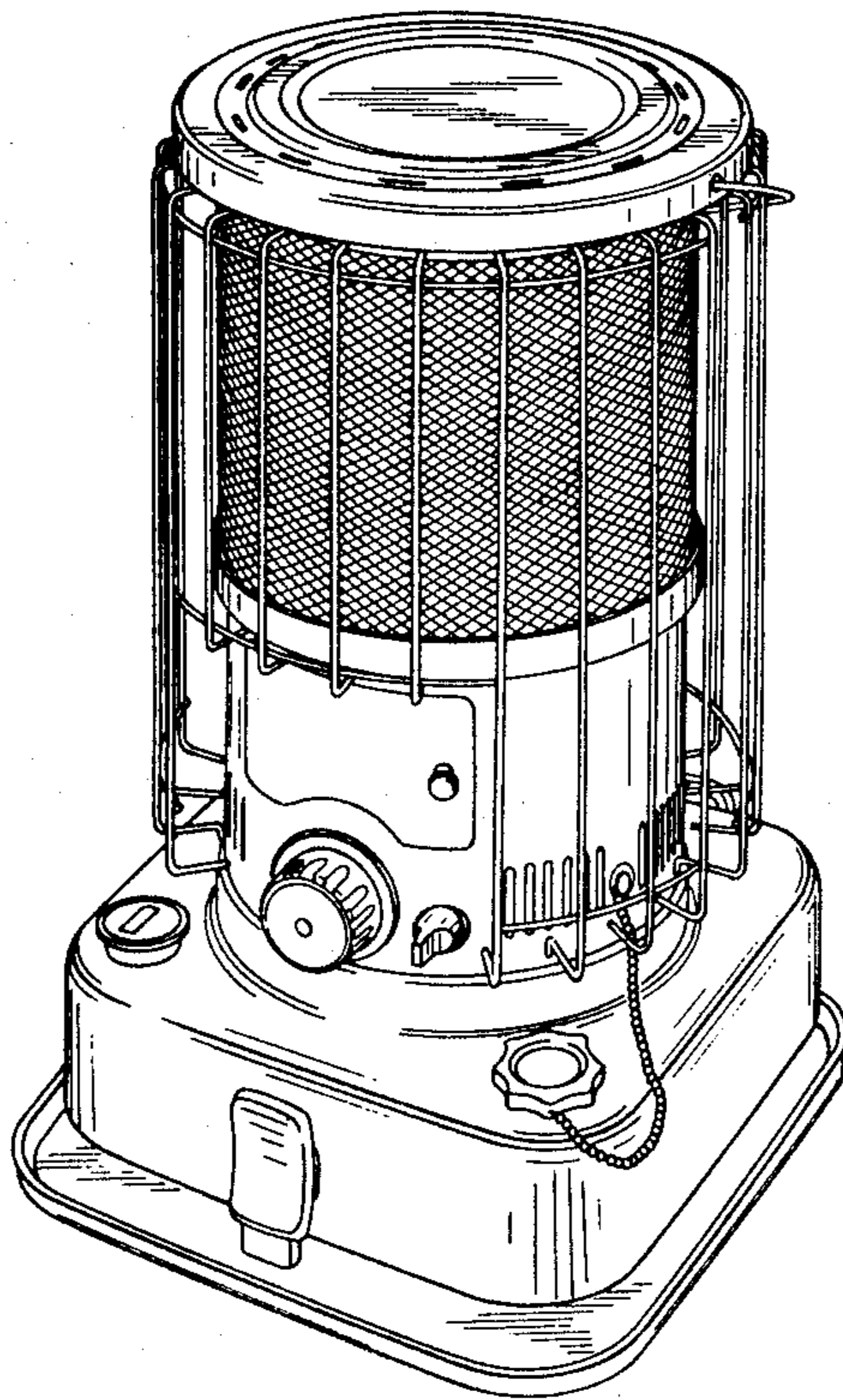


FIG. 2

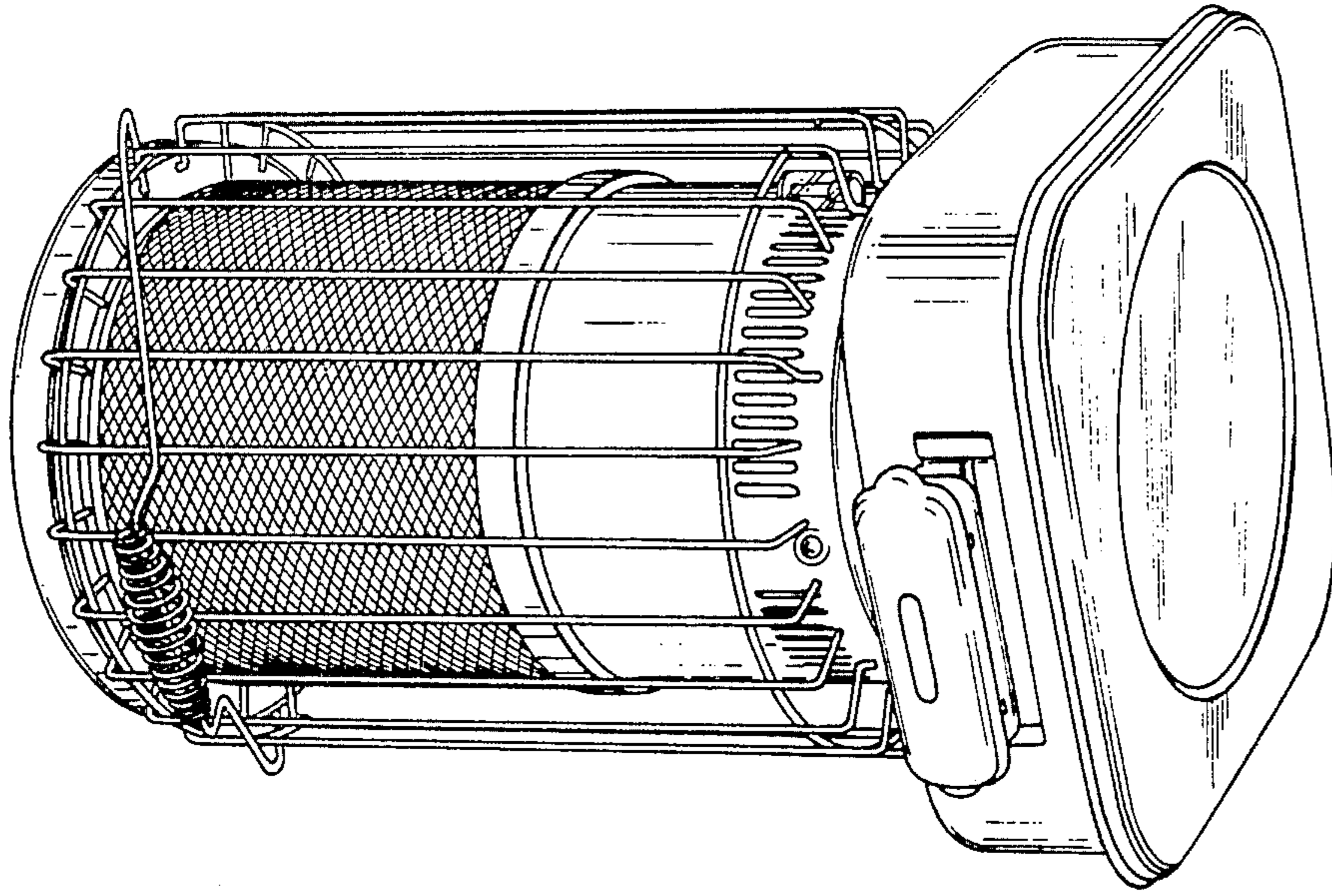


FIG. 1

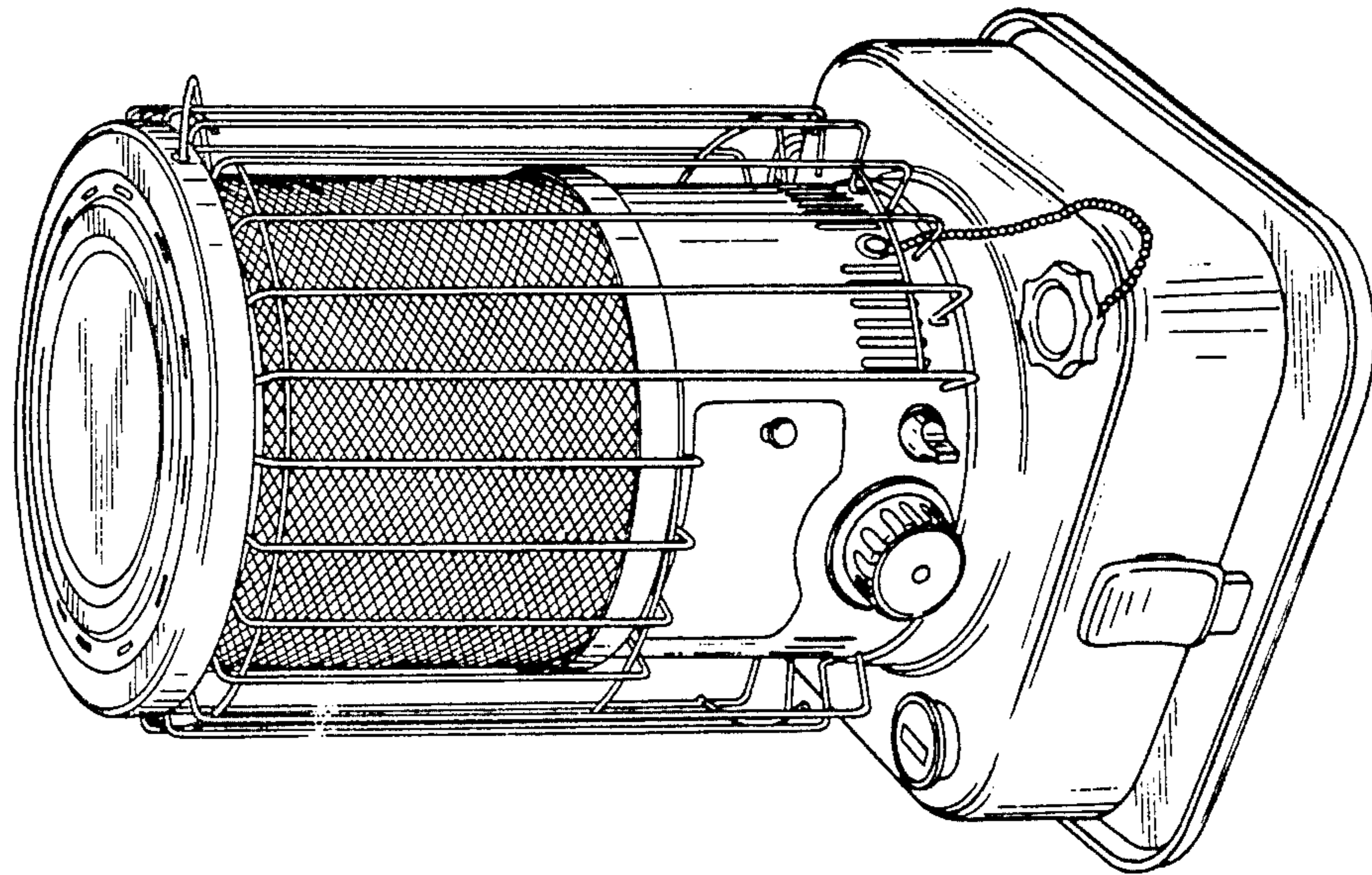


FIG. 4

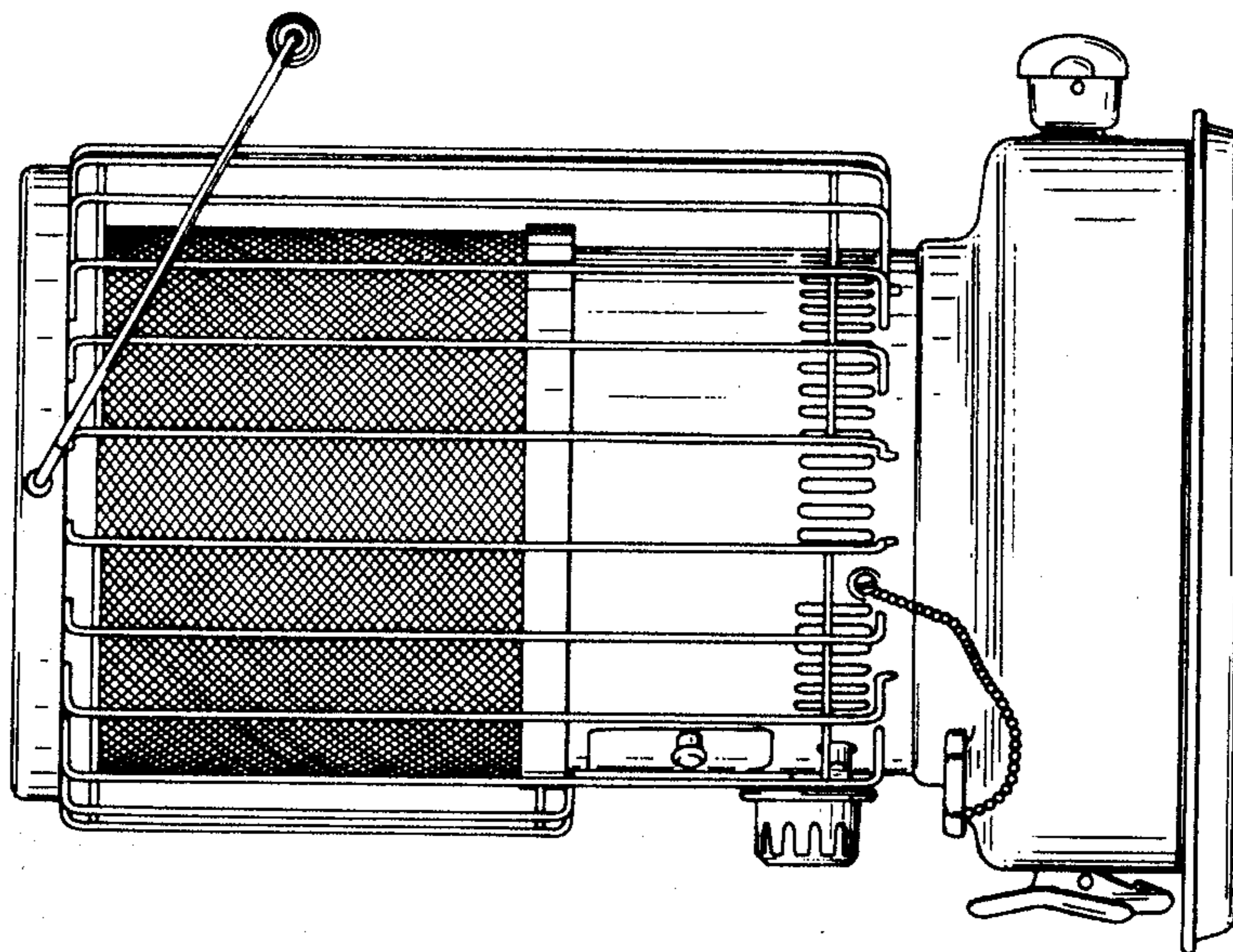


FIG. 3

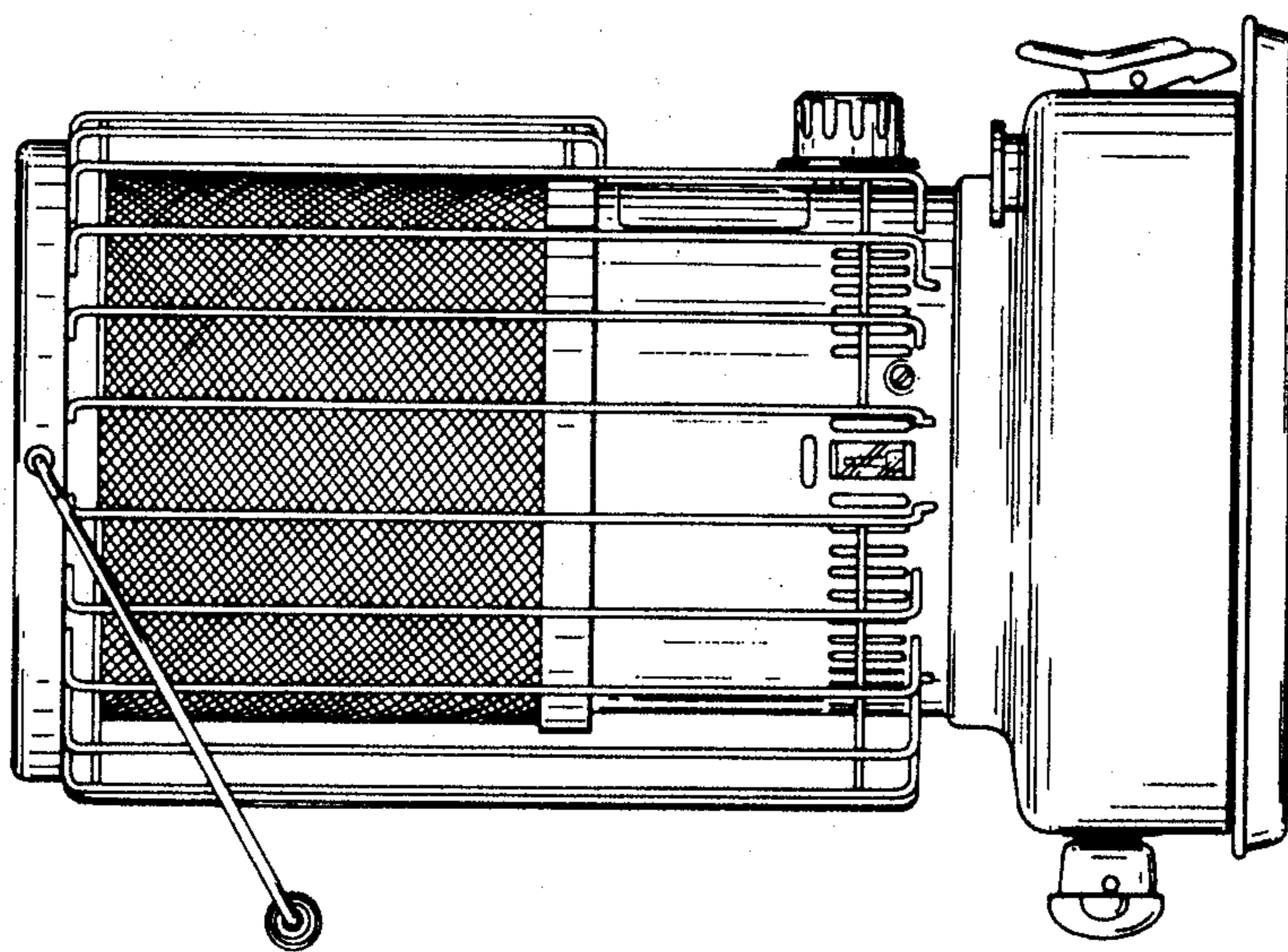


FIG. 6

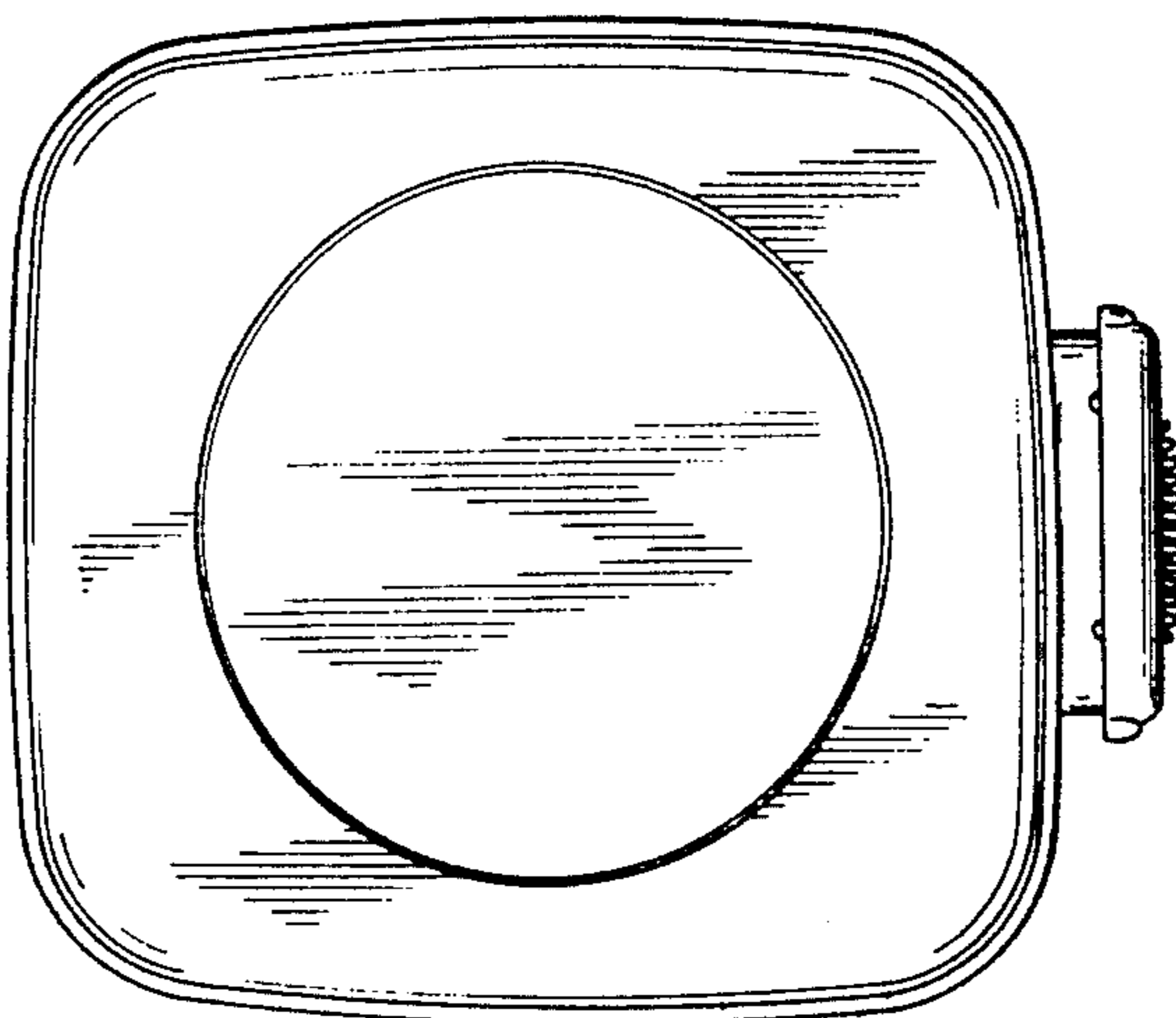


FIG. 5

