

[54] GOLF CLUB HEAD

[76] Inventor: John Wheatley, 1487 Farmington Ave., Farmington, Conn. 06032

[\*\*] Term: 14 Years

[21] Appl. No.: 431,171

[22] Filed: Sep. 30, 1982

[52] U.S. Cl. .... D21/220; D21/217

[58] Field of Search ..... D21/214-220; 273/167 F, 167 A, 167 J

[56] References Cited

U.S. PATENT DOCUMENTS

868,687 10/1907 Myles ..... 273/167 F

OTHER PUBLICATIONS

Golf World, 5/13/77, p. 7, Lynx Predator, lower right.

Golf Digest, Apr. 1980, p. 146, lower right, Monster One.

Primary Examiner—Melvin B. Feifer  
Attorney, Agent, or Firm—Thomas P. Dowd

[57] CLAIM

The ornamental design for a golf club head, as shown and described.

DESCRIPTION

FIG. 1 is a rear elevational view of a golf club shown in broken lines for illustrative purposes with a head in accordance with my new design;  
FIG. 2 is a front view in elevation of a golf club head showing my new design;  
FIG. 3 is a left side view thereof;  
FIG. 4 is a right side view thereof; and  
FIG. 5 is a rear view thereof;  
FIG. 6 is a sectional view taken along the lines 6—6 in FIG. 5.

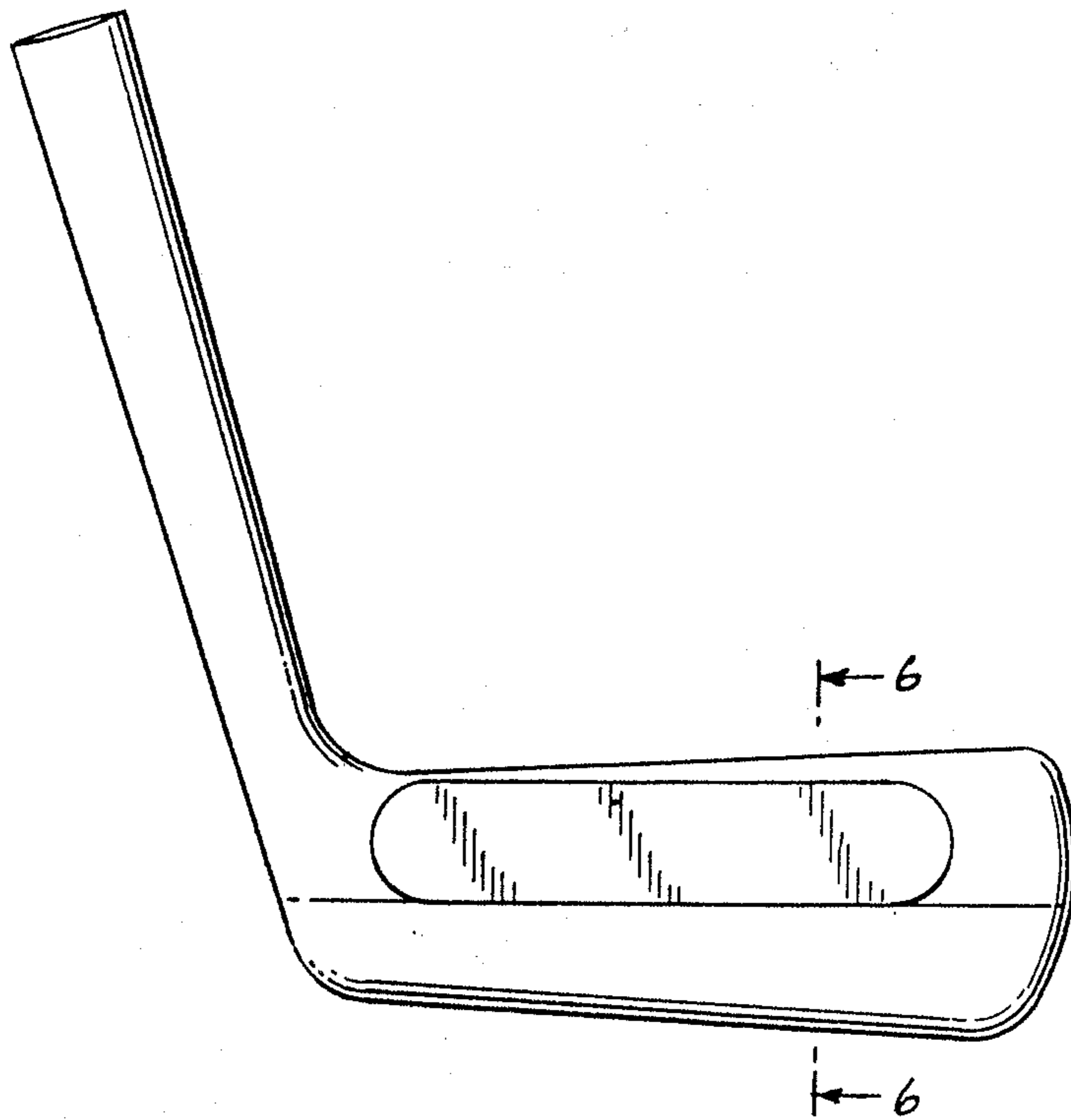


Fig. 1.

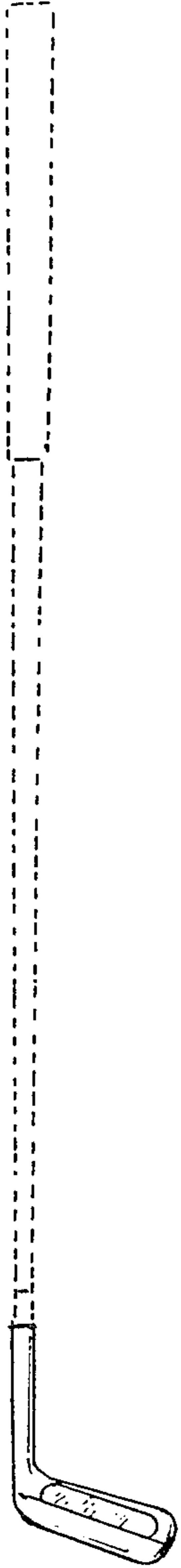


Fig. 5.

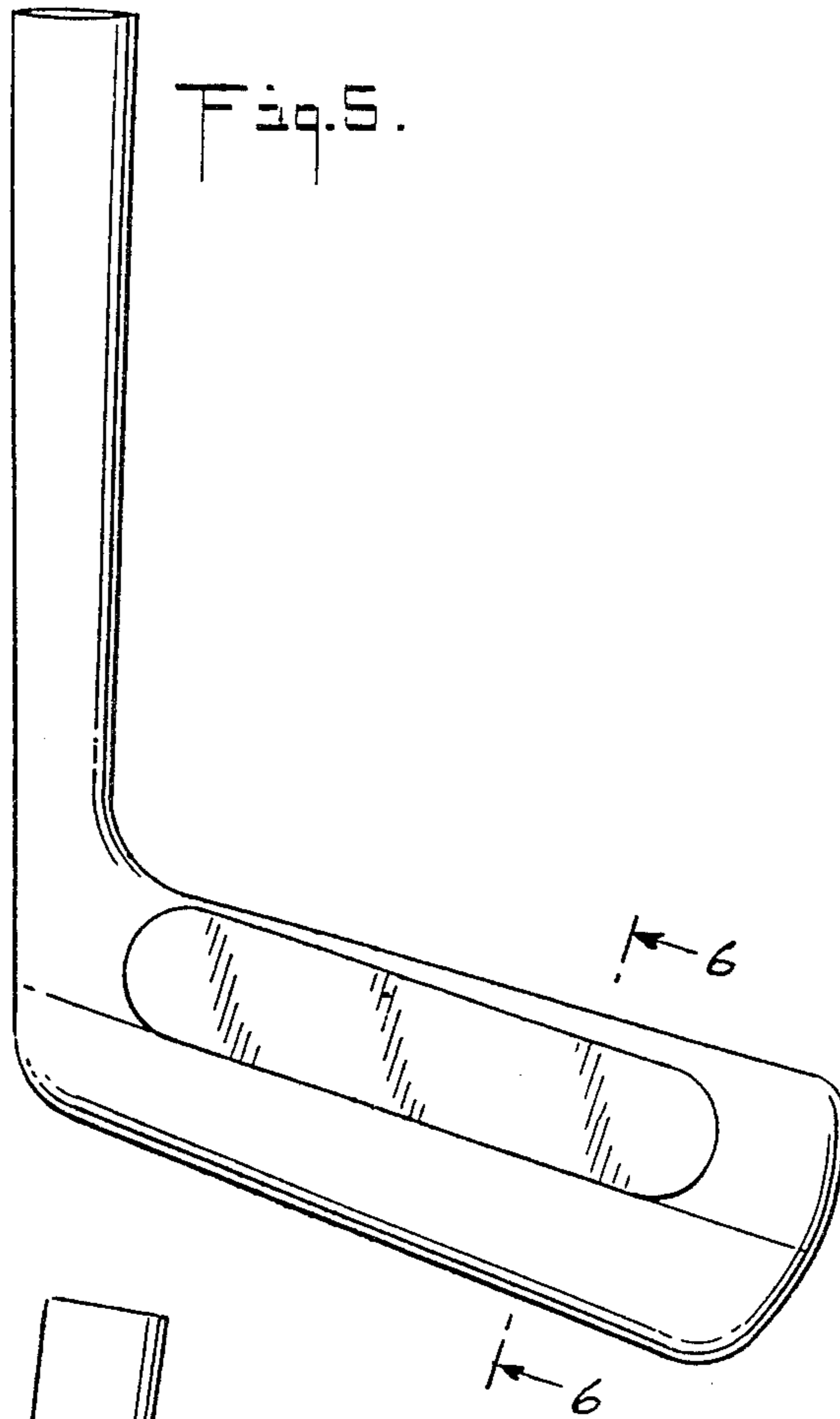


Fig. 3.



Fig. 4.

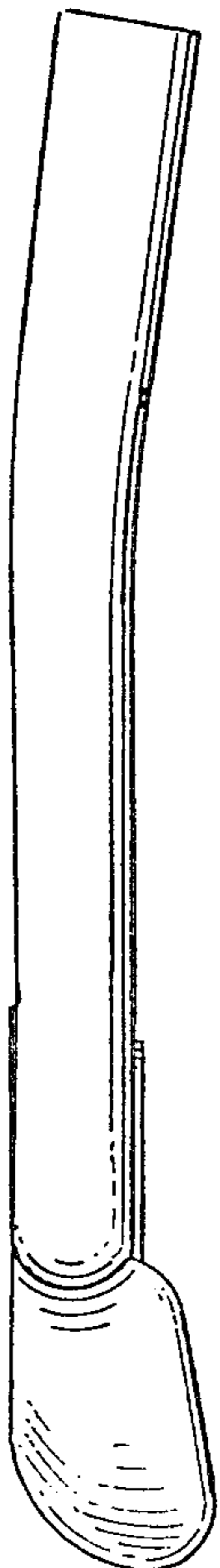


Fig. 6.

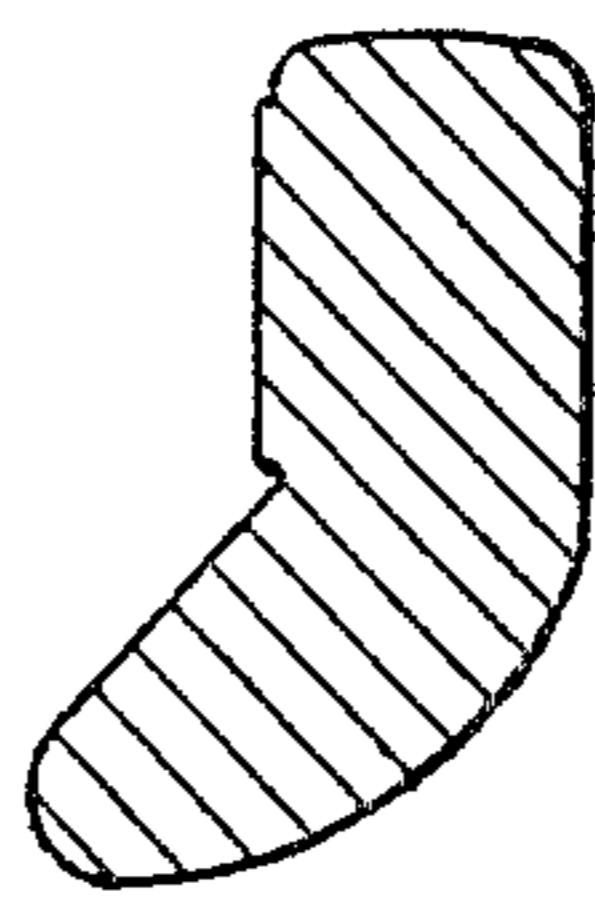


Fig. 2.

