

[54] CRAYON HOLDER

[75] Inventor: Joel B. Tabachnik, New York, N.Y.

[73] Assignee: Talbot Toys Ltd., Wanchai, Hong Kong

[**] Term: 14 Years

[21] Appl. No.: 377,637

[22] Filed: May 13, 1982

[52] U.S. Cl. D19/82; D3/66; D19/42; D21/168; D21/178

[58] Field of Search D21/177, 178, 168; D19/35, 36, 41, 42-51, 75, 81, 82, 97; D3/30.1, 45, 46, 66

[56] References Cited

U.S. PATENT DOCUMENTS

32,729	5/1900	Pinnell	D19/42
D. 108,085	1/1938	Kingman	D21/177
172,025	4/1954	Hopstein	D19/36
D. 177,468	4/1956	Frooks	D19/46
224,846	9/1972	Feuer	D19/42
D. 241,044	8/1976	Daenen	D21/168
D. 241,757	10/1976	Goldfarb et al.	D21/177
D. 251,145	2/1979	Ogihara	D21/177
D. 251,146	2/1979	Ogihara	D21/177

OTHER PUBLICATIONS

Sears Wish Book for the Christmas Season 1970, p. 439, top of page.

Hong Kong Toys, 1980, p. 169, Item No. T81.

Primary Examiner—George P. Word

Attorney, Agent, or Firm—Panitch, Schwarze, Jacobs & Nadel

[57] CLAIM

The ornamental design for a crayon holder, substantially as shown and described.

DESCRIPTION

FIG. 1 is a perspective view of a crayon holder showing my new design;
 FIG. 2 is a right side elevational view thereof;
 FIG. 3 is a front elevational view;
 FIG. 4 is a rear elevational view;
 FIG. 5 is a top plan view;
 FIG. 6 is a bottom plan view;
 FIG. 7 is a perspective view of a second embodiment of the crayon holder;
 FIG. 8 is a right side elevational view thereof;
 FIG. 9 is a front elevational view;
 FIG. 10 is a rear elevational view;
 FIG. 11 is a top plan view;
 FIG. 12 is a bottom plan view;
 FIG. 13 is a perspective view of a third embodiment of the crayon holder;
 FIG. 14 is a right side elevational view thereof;
 FIG. 15 is a front elevational view thereof;
 FIG. 16 is a rear elevational view;
 FIG. 17 is a top plan view;
 FIG. 18 is a bottom plan view;
 FIG. 19 is a perspective view of a fourth embodiment of the crayon holder;
 FIG. 20 is a right side elevational view;
 FIG. 21 is a front elevational view;
 FIG. 22 is a rear elevational view;
 FIG. 23 is a top plan view;
 FIG. 24 is a bottom plan view; and
 FIG. 25 is a fragmentary perspective view of a fifth embodiment of the crayon holder, the lower portion which is omitted for convenience of illustration being the same as the other embodiments.

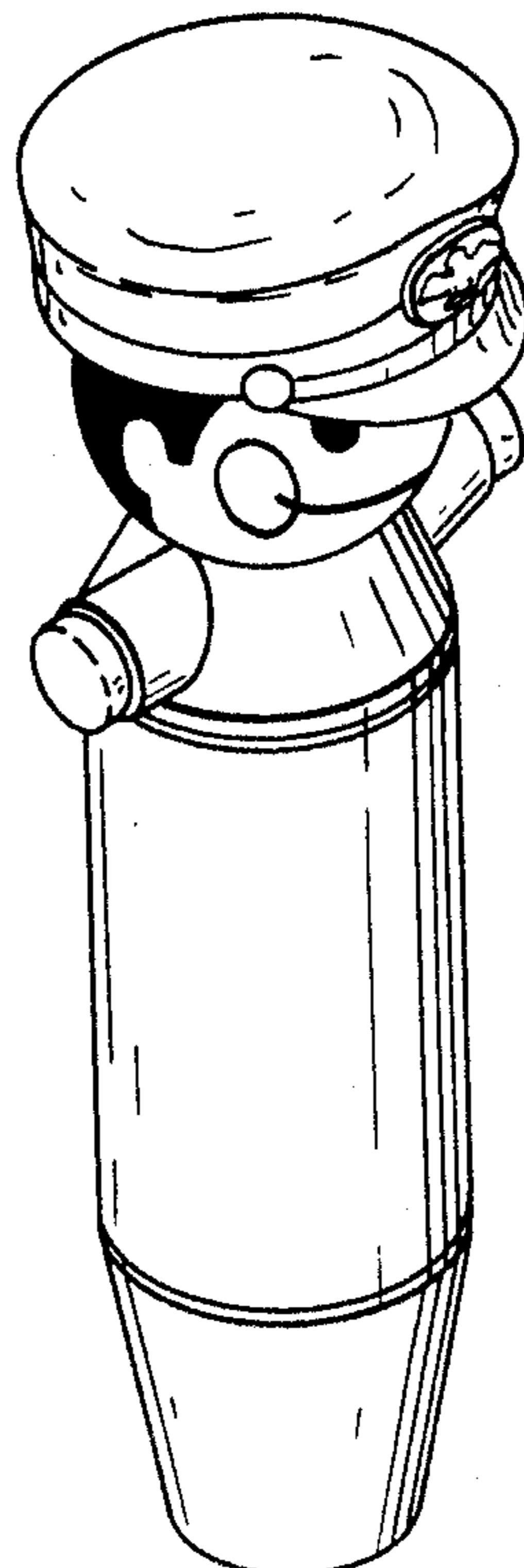


FIG. 1

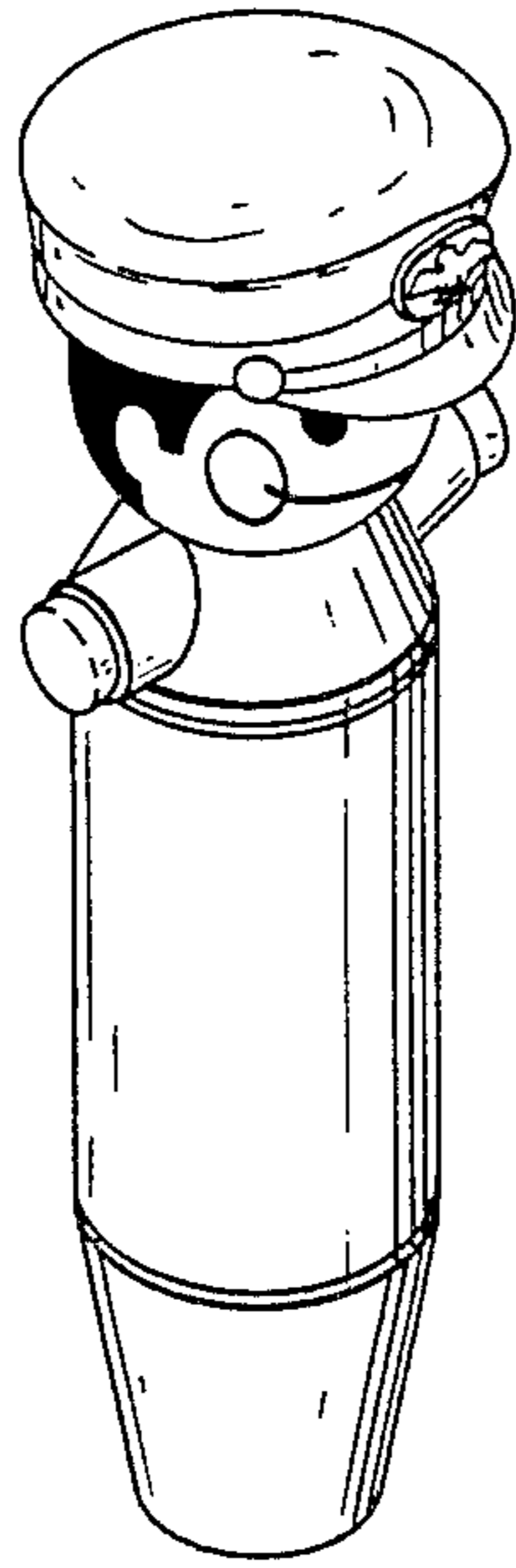


FIG. 2

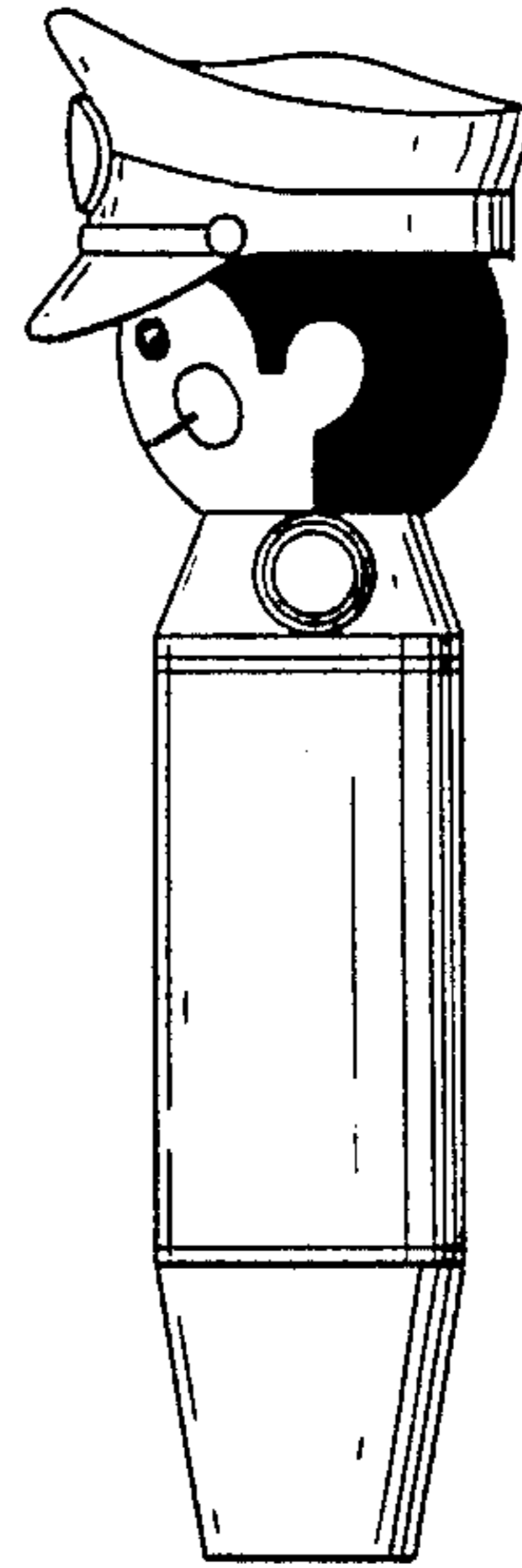


FIG. 3

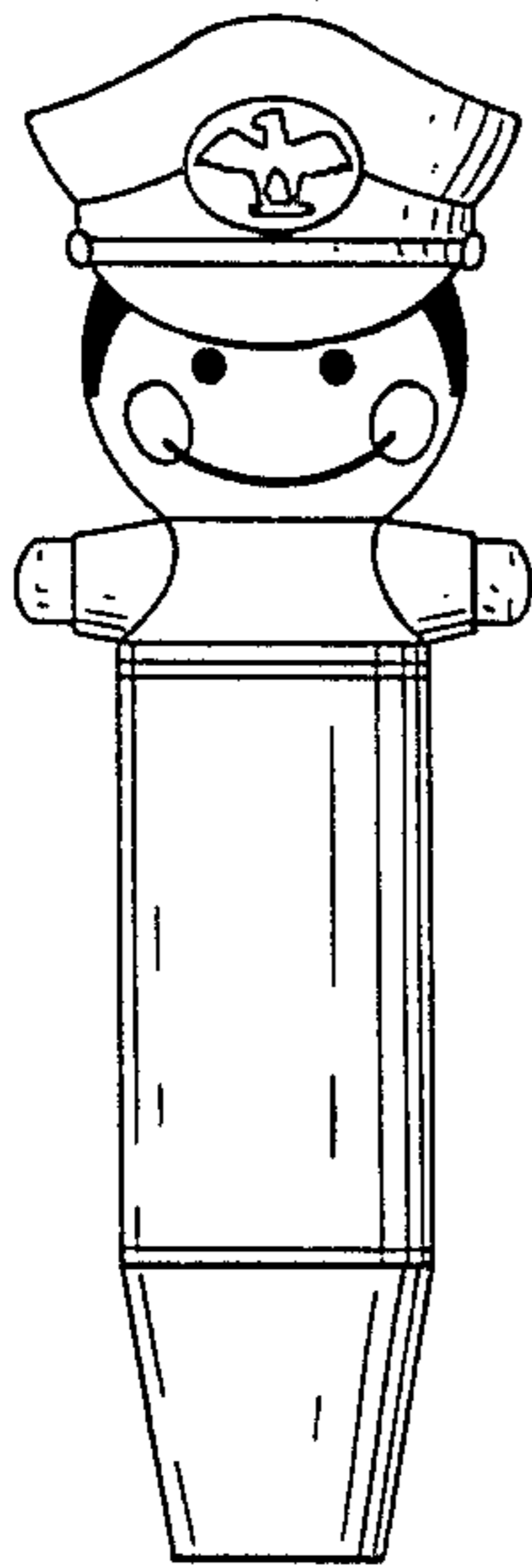


FIG. 4

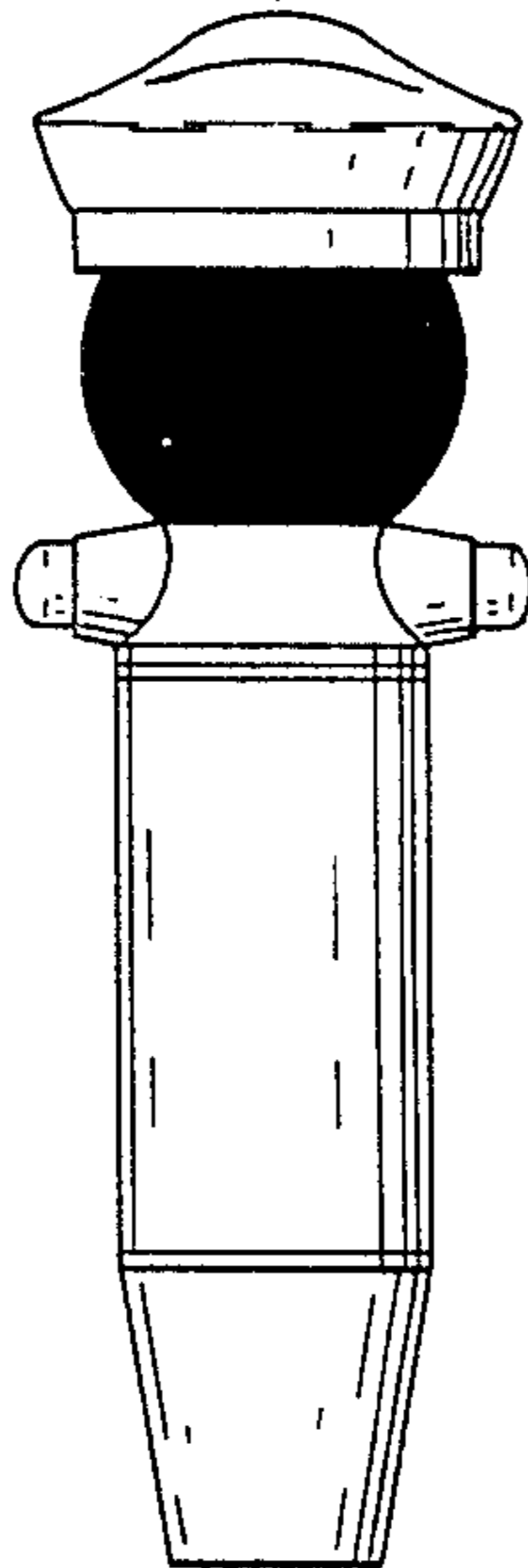


FIG. 5

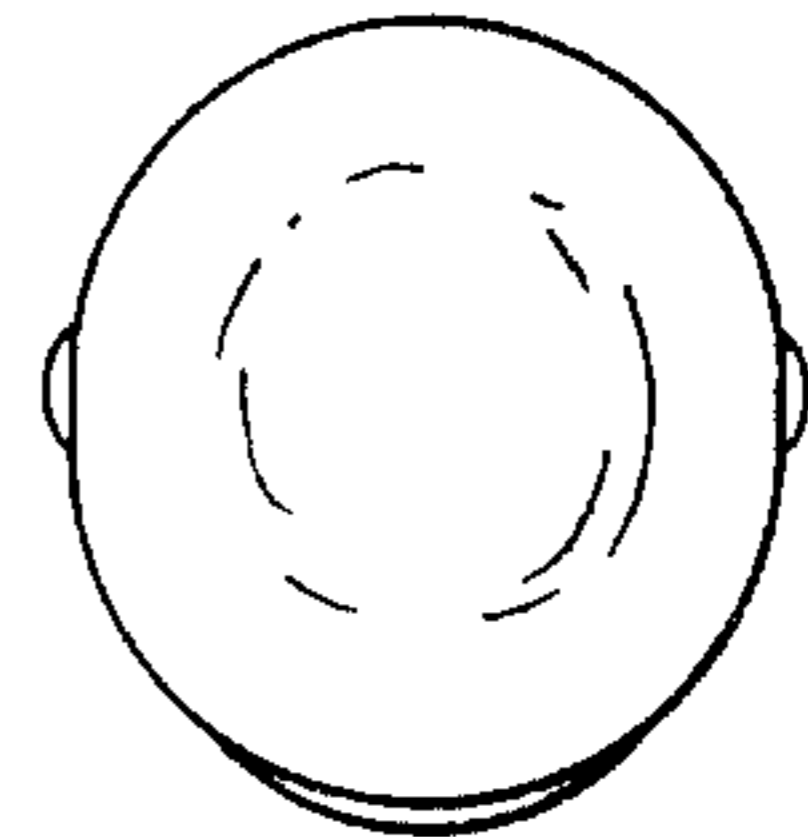


FIG. 6

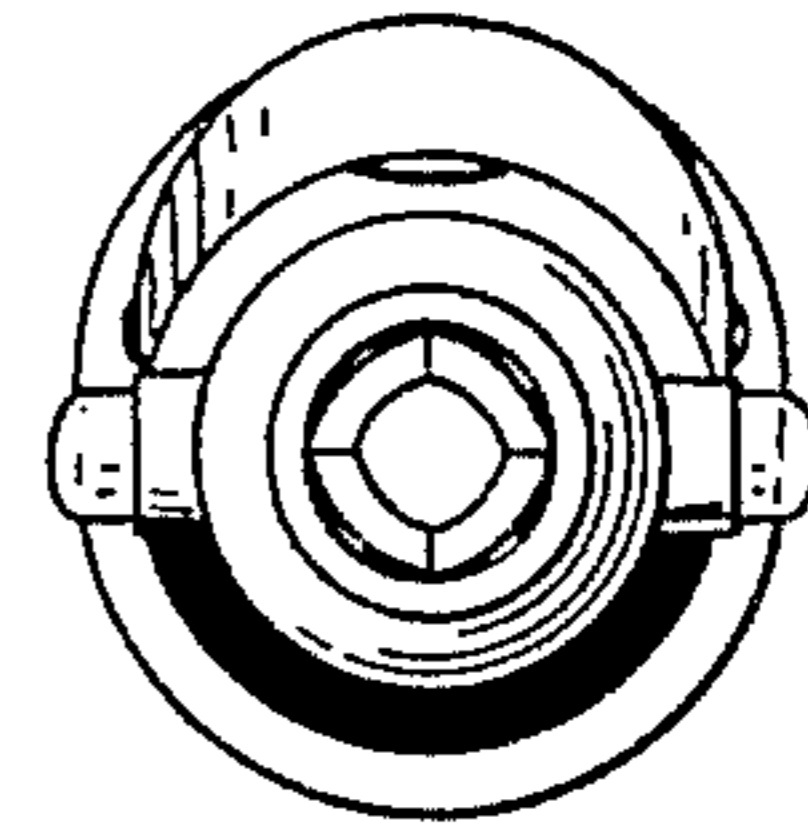


FIG. 7

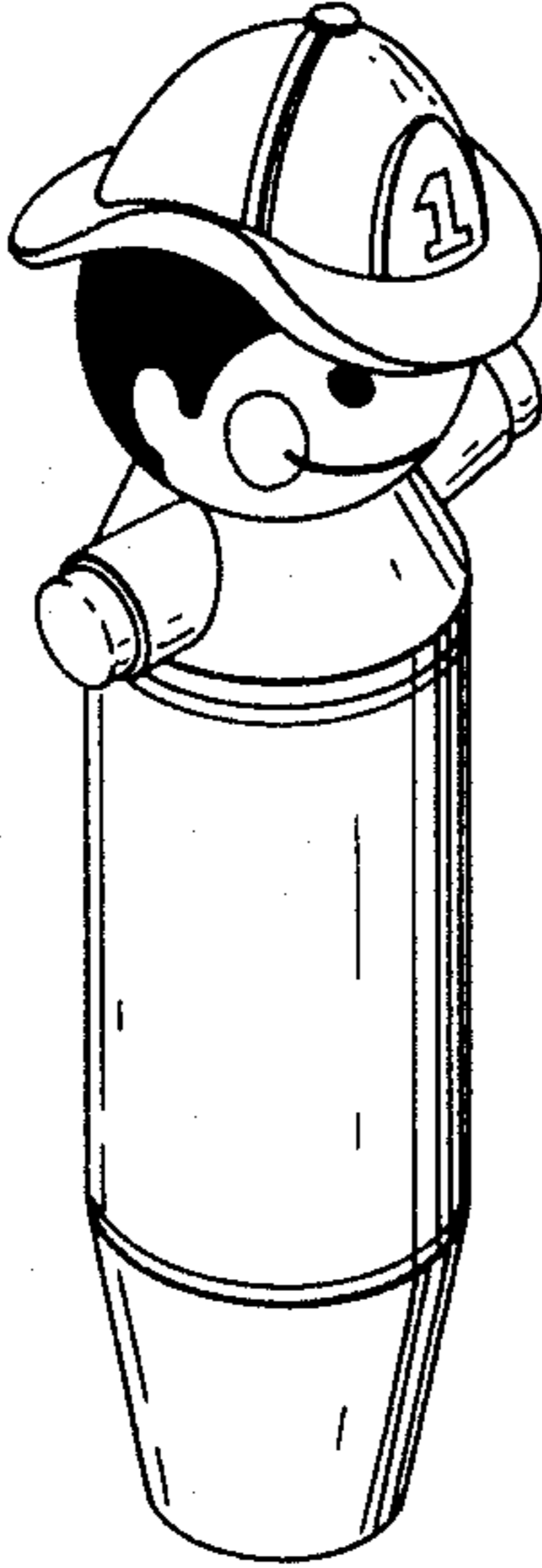


FIG. 8

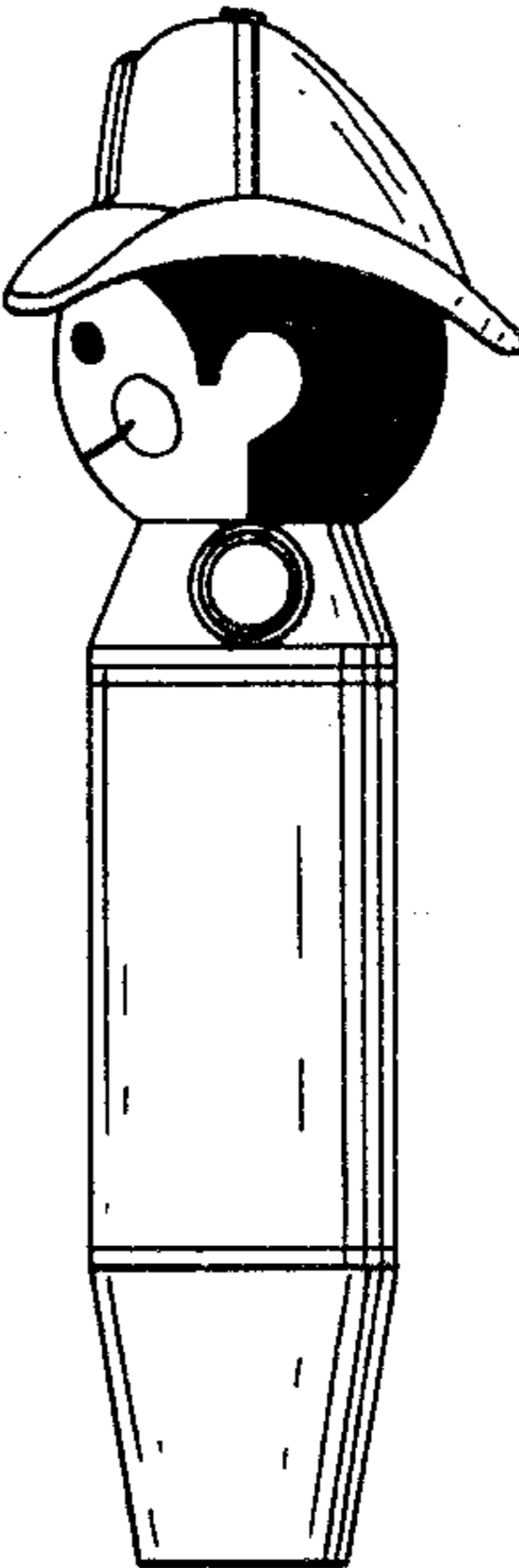


FIG. 9

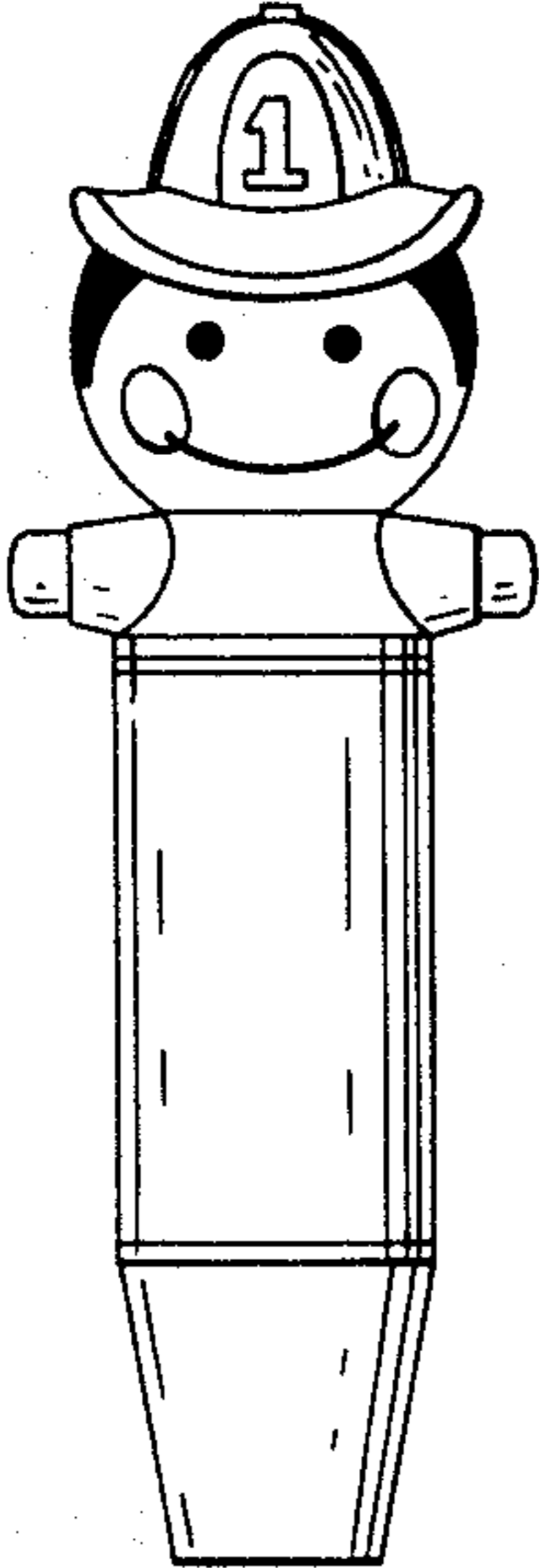


FIG. 10

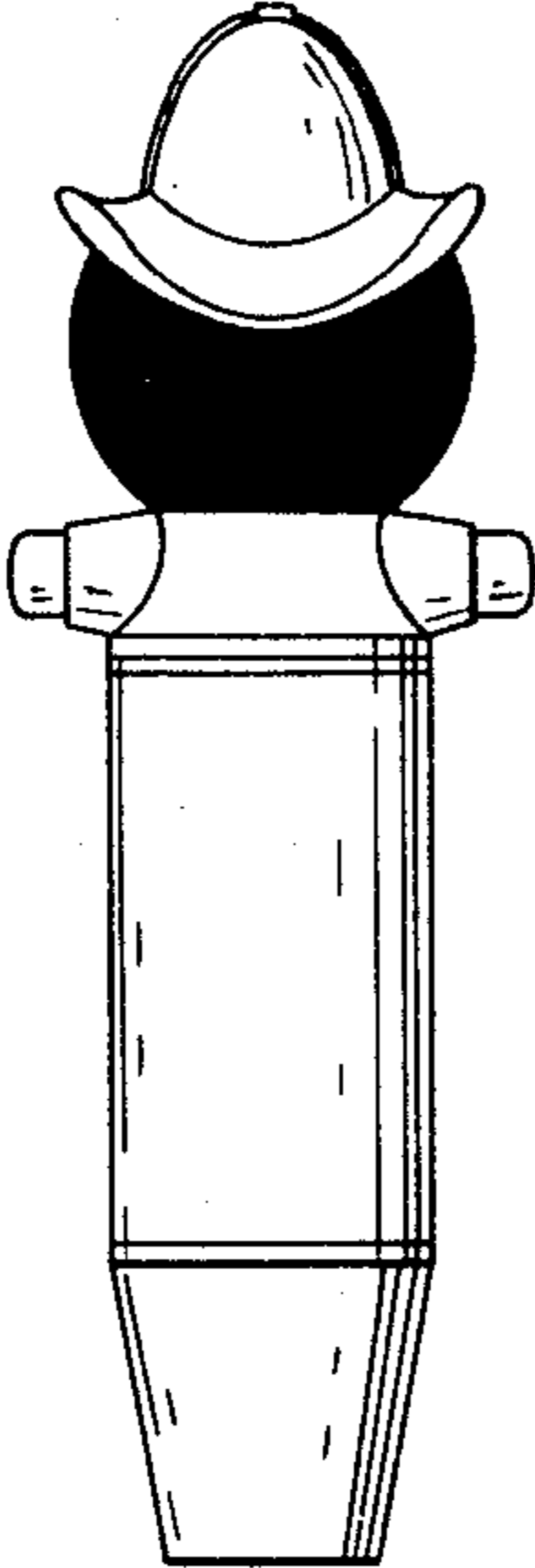


FIG. 11

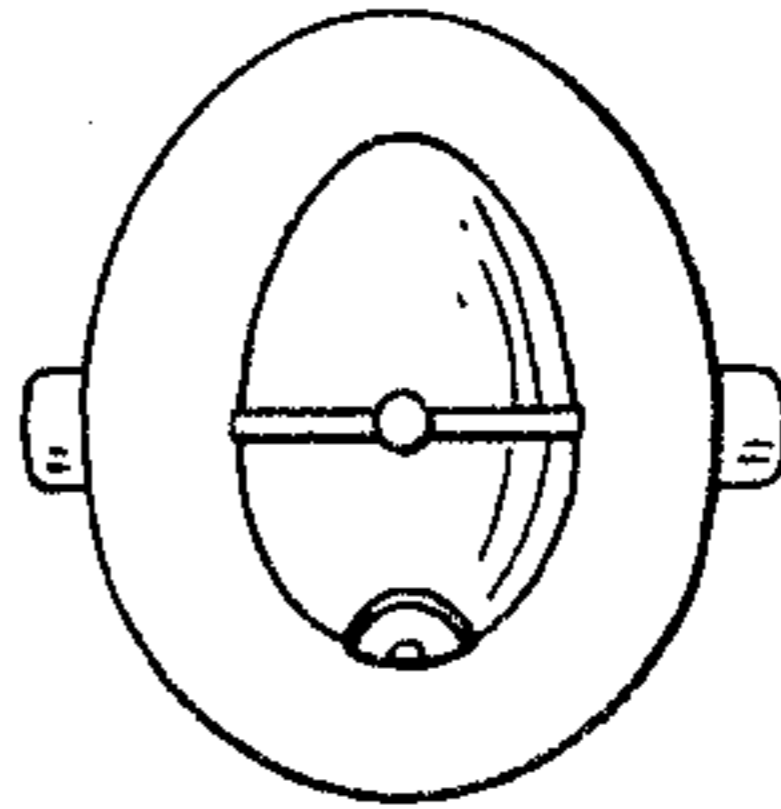


FIG. 12

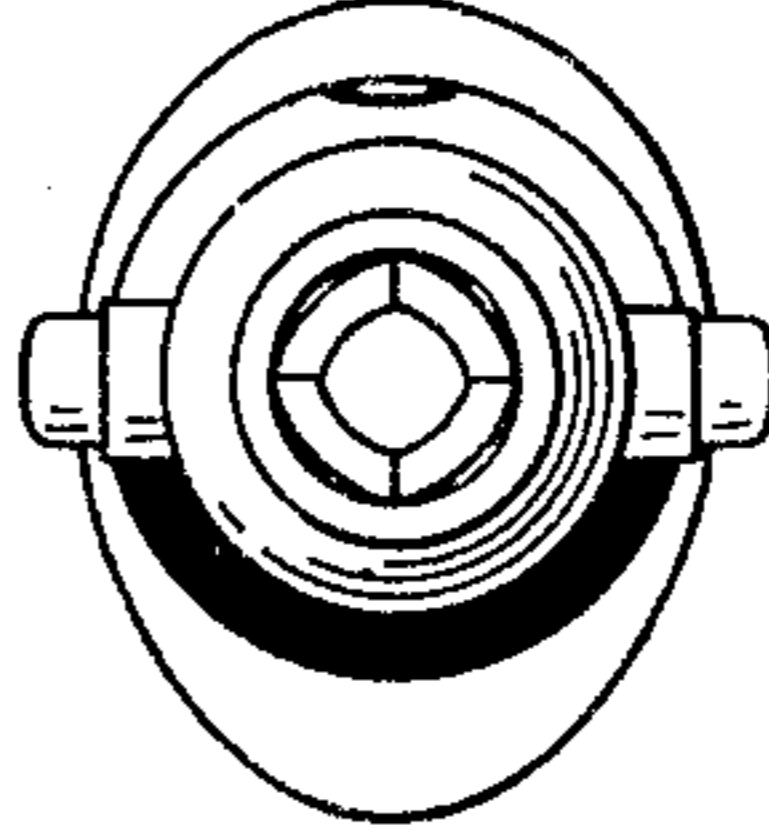


FIG. 13

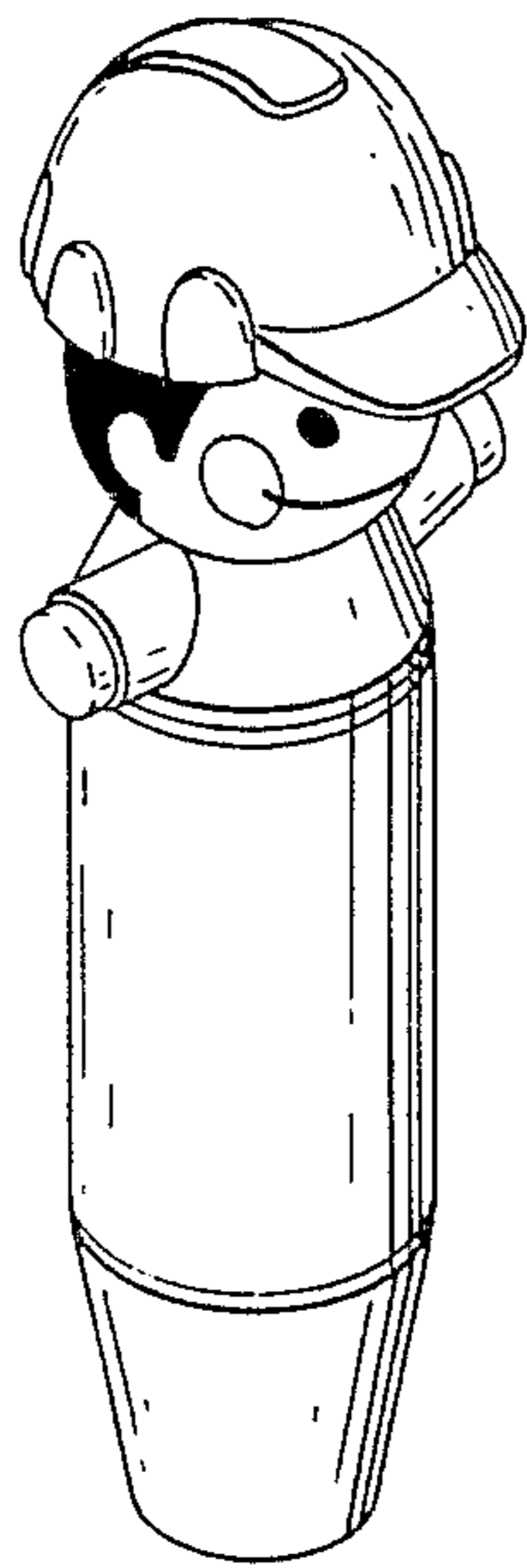


FIG. 14

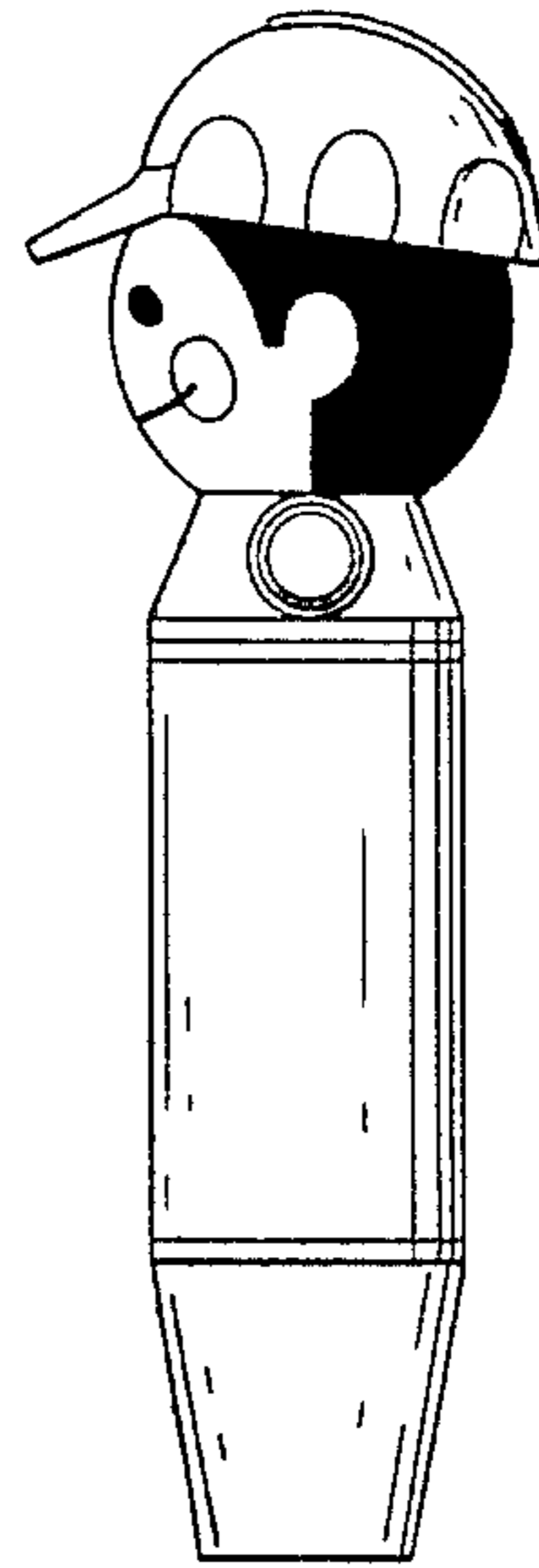


FIG. 15

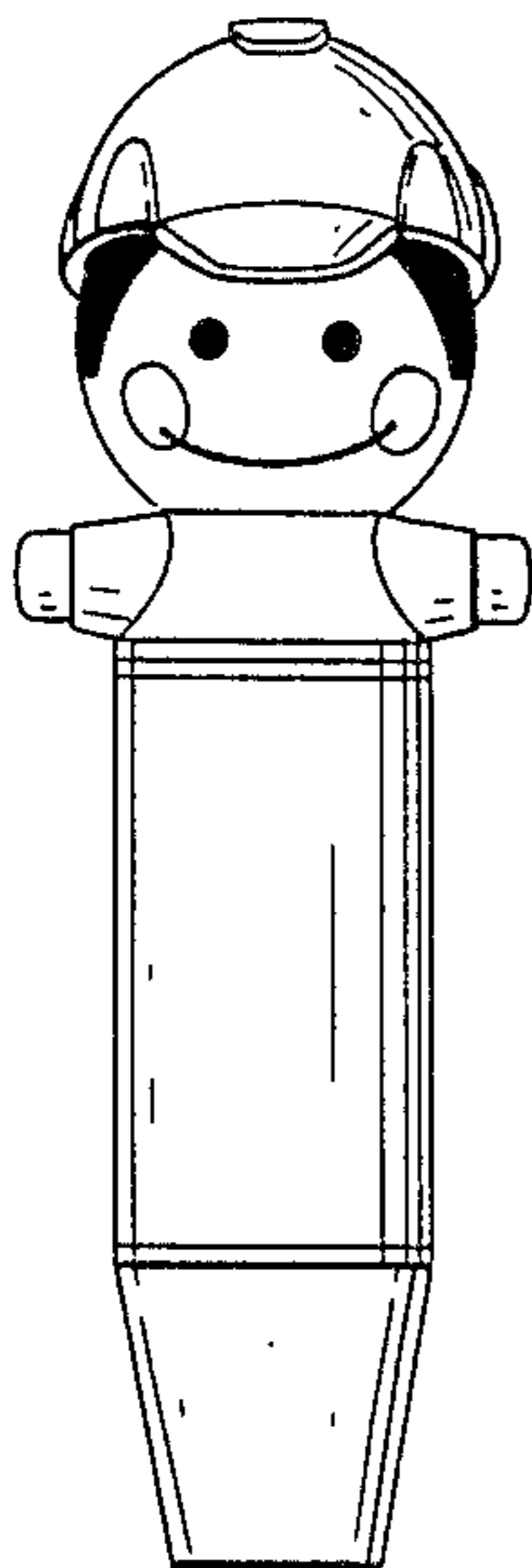


FIG. 16

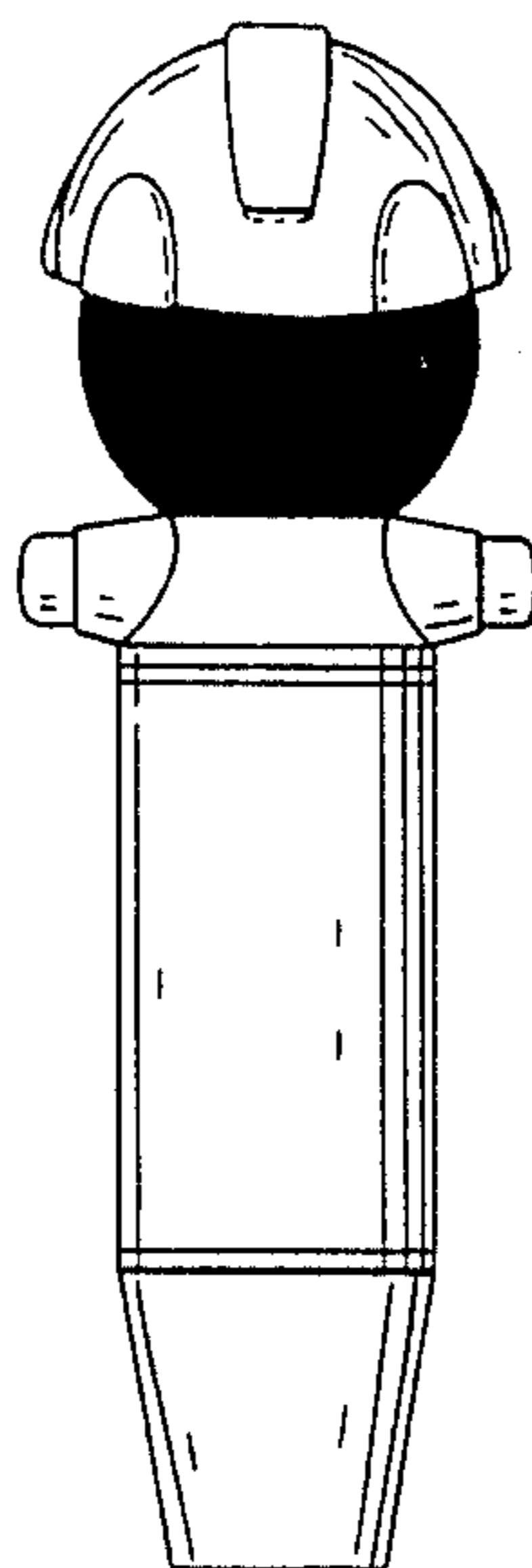


FIG. 17

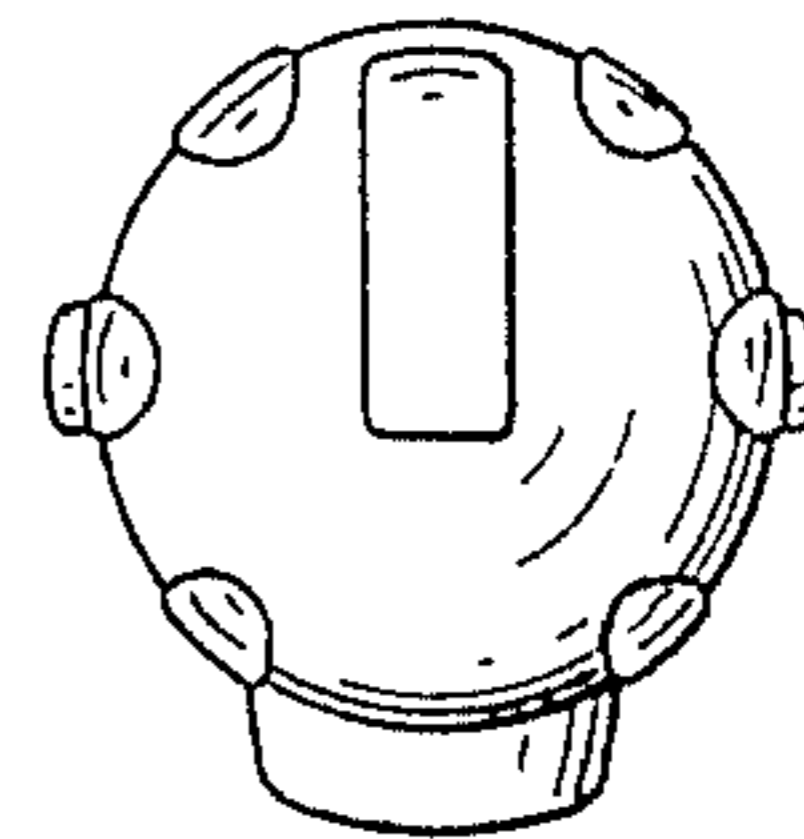


FIG. 18

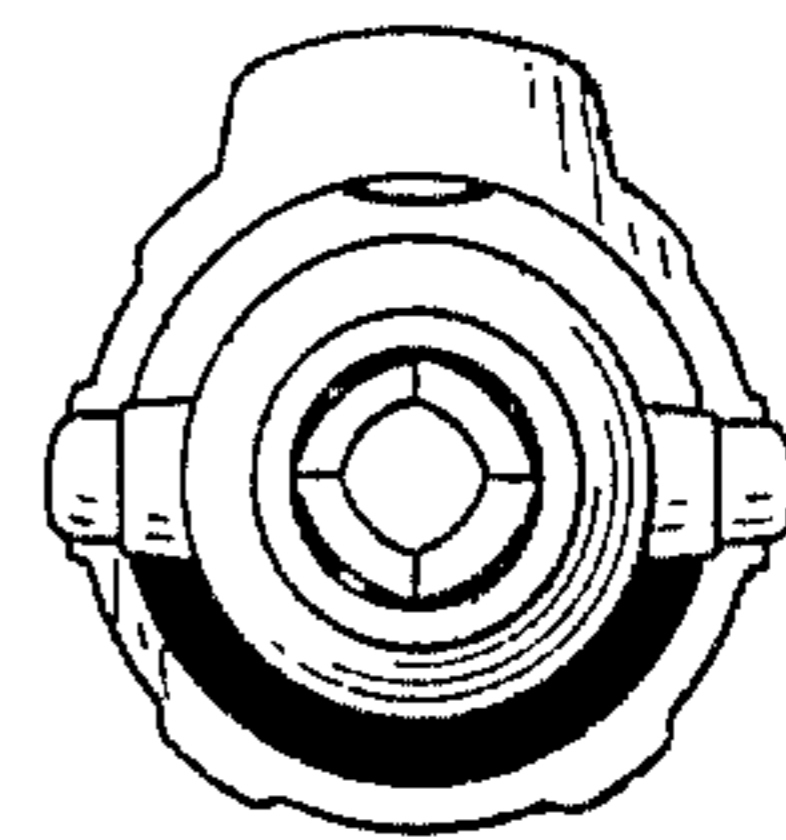


FIG. 19

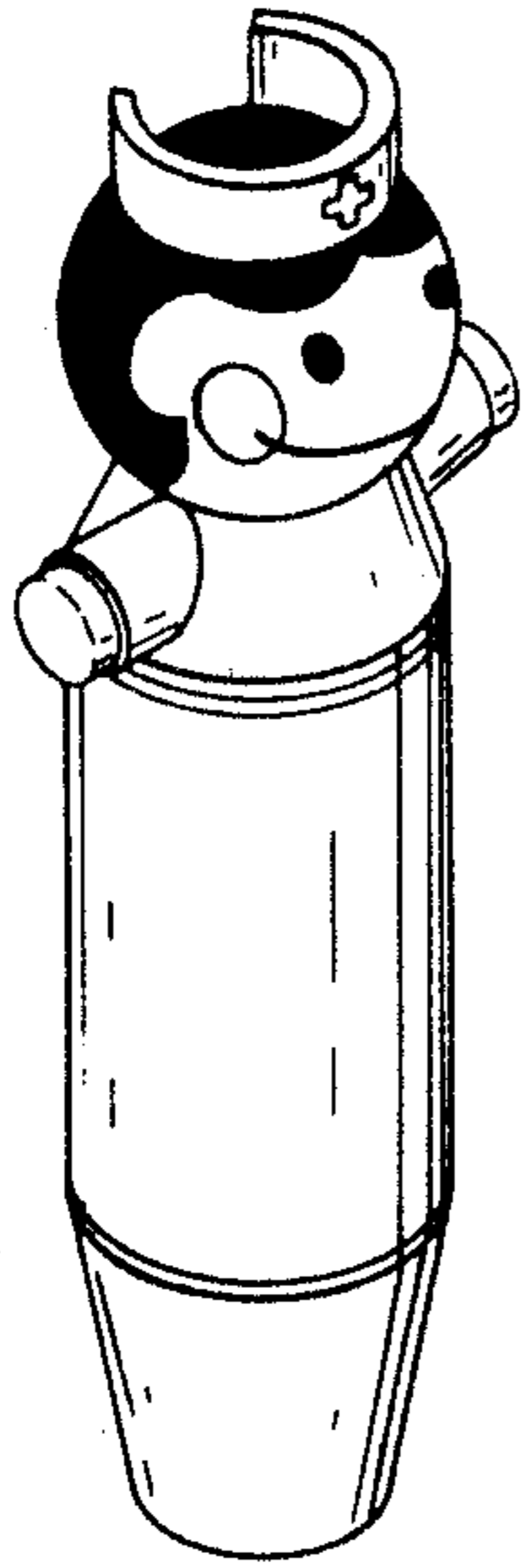


FIG. 20

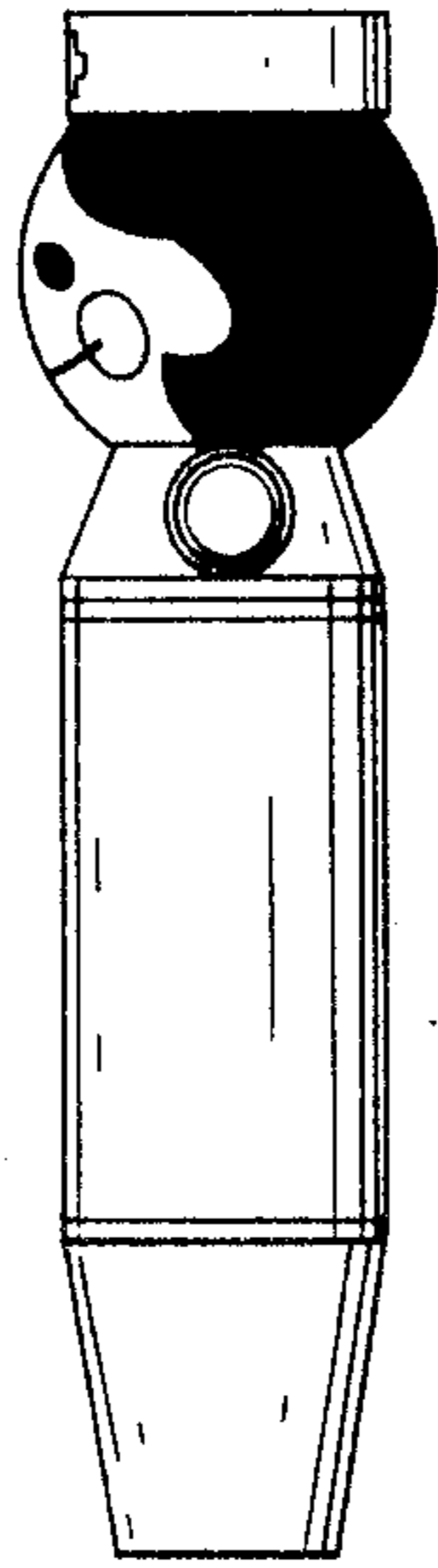


FIG. 23

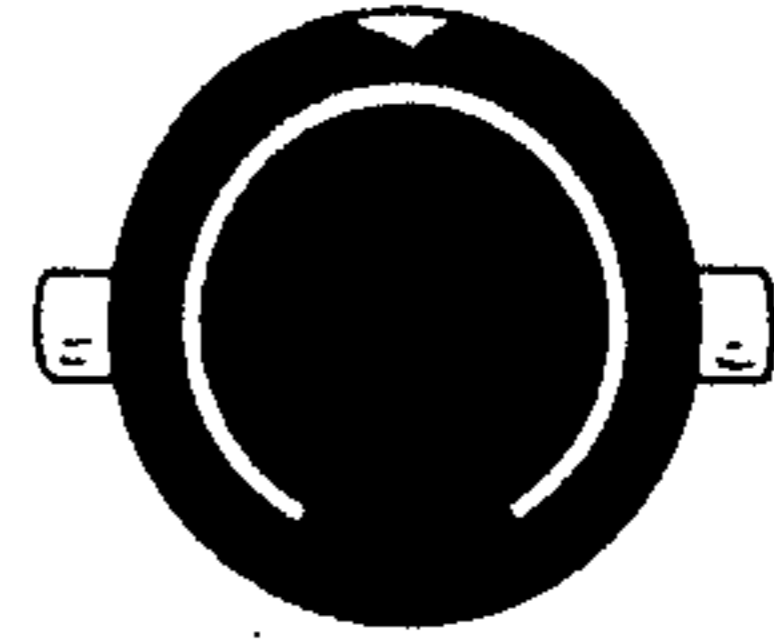


FIG. 24

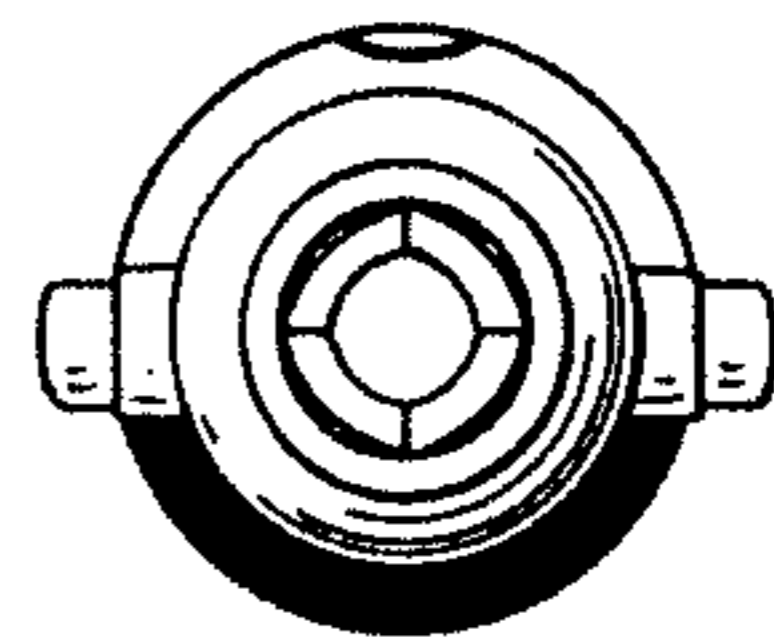


FIG. 21

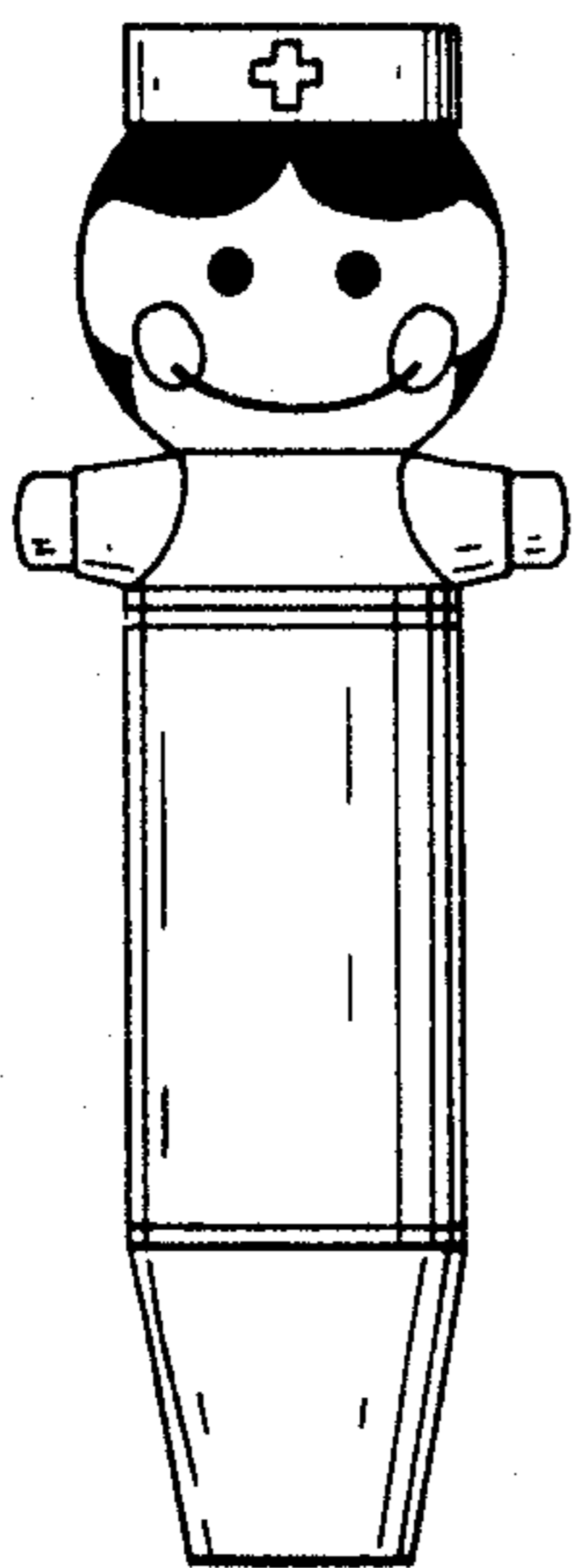


FIG. 22

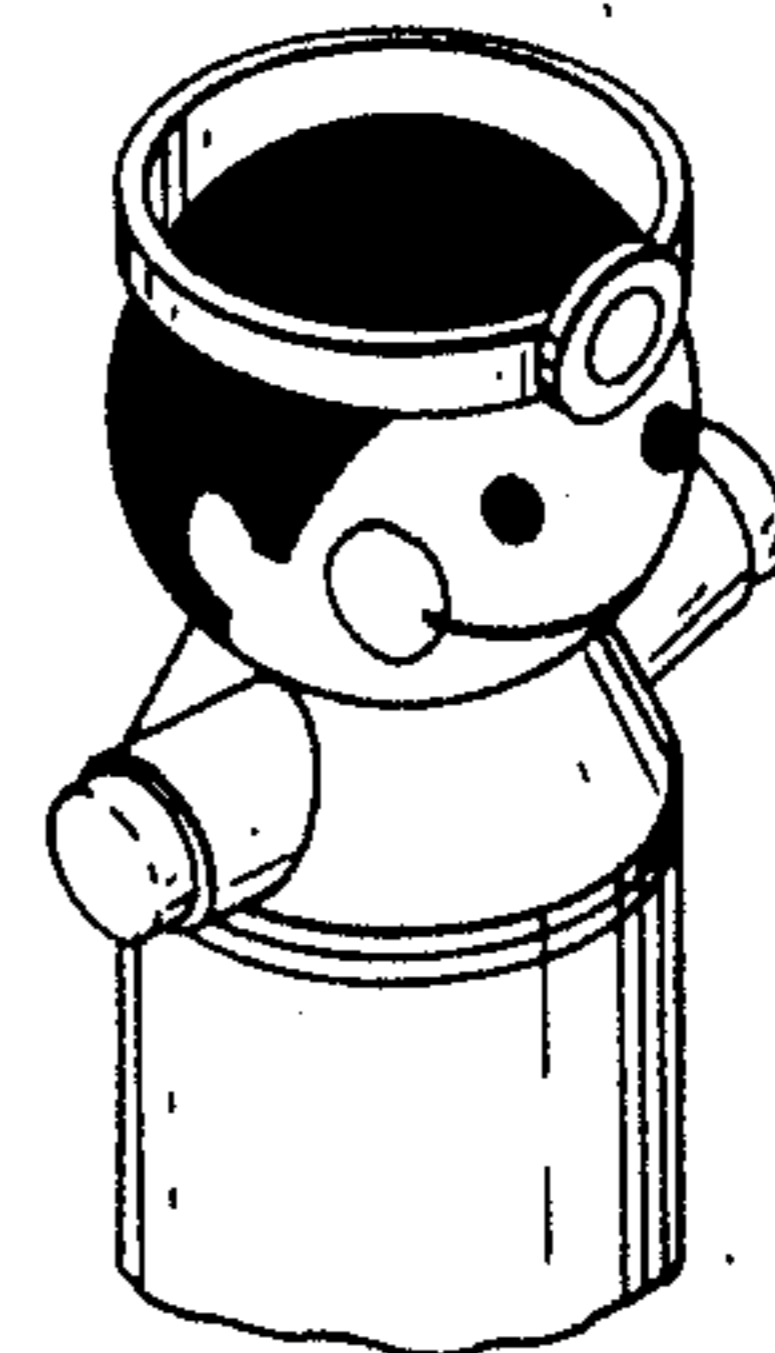
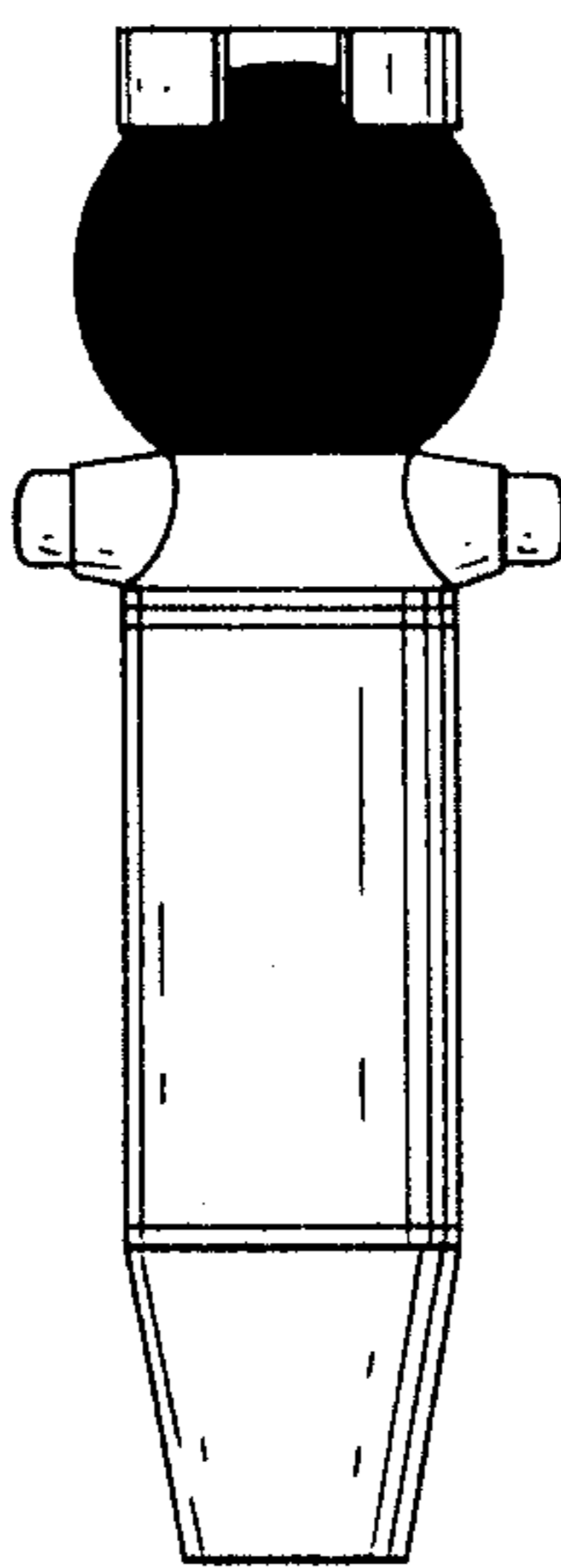


FIG. 25