

[54] ENDOSCOPIC ADJUSTABLE OPTICAL COUPLER

[75] Inventor: Richard E. Feinbloom, New York, N.Y.

[73] Assignee: Designs for Vision, Inc., New York, N.Y.

[**] Term: 14 Years

[21] Appl. No.: 383,355

[22] Filed: Jun. 1, 1982

[52] U.S. Cl. D16/130

[58] Field of Search D16/130, 136, 10, 38; D24/1.8, 8, 17; 354/62, 79, 286; 358/98; 350/96.15; 128/4-9

[56] References Cited

U.S. PATENT DOCUMENTS

D. 248,160	6/1978	Feinbloom et al.	D16/38
D. 272,745	2/1984	Feinbloom et al.	D16/130
4,157,216	6/1979	Plummer	354/62
4,248,213	2/1981	Sandre	D8/6
4,264,167	4/1981	Plummer	354/62

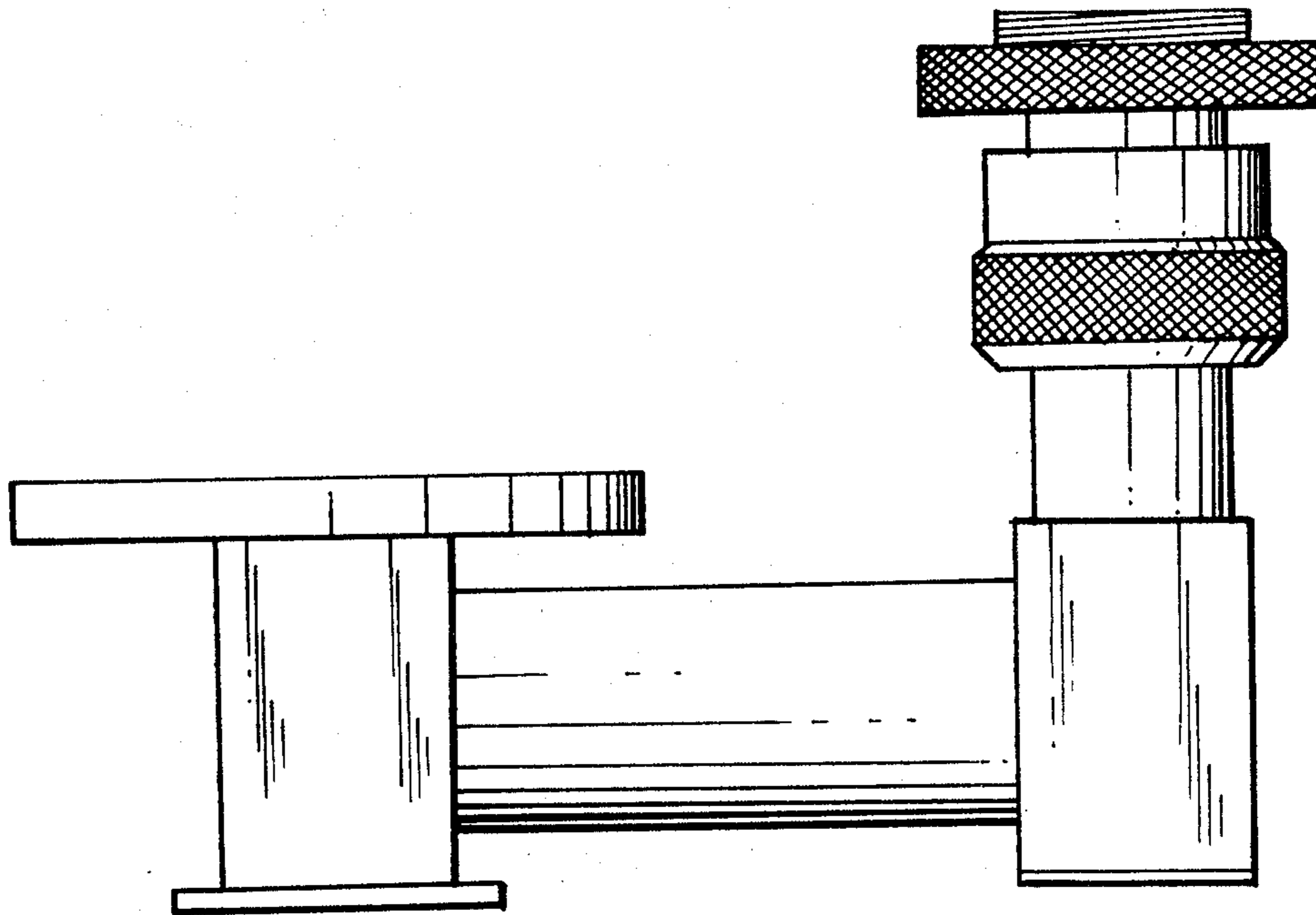
Primary Examiner—Catherine E. Kemper
Attorney, Agent, or Firm—Arthur L. Plevy

[57] CLAIM

The ornamental design for endoscopic adjustable optical coupler, as shown and described.

DESCRIPTION

FIG. 1 is a right side elevational view of an endoscopic adjustable optical coupler, showing my new design, the left side being a mirror image thereof;
FIG. 2 is a top plan view thereof;
FIG. 3 is a front elevational view thereof;
FIG. 4 is a rear elevational view thereof;
FIG. 5 is a bottom plan view thereof.



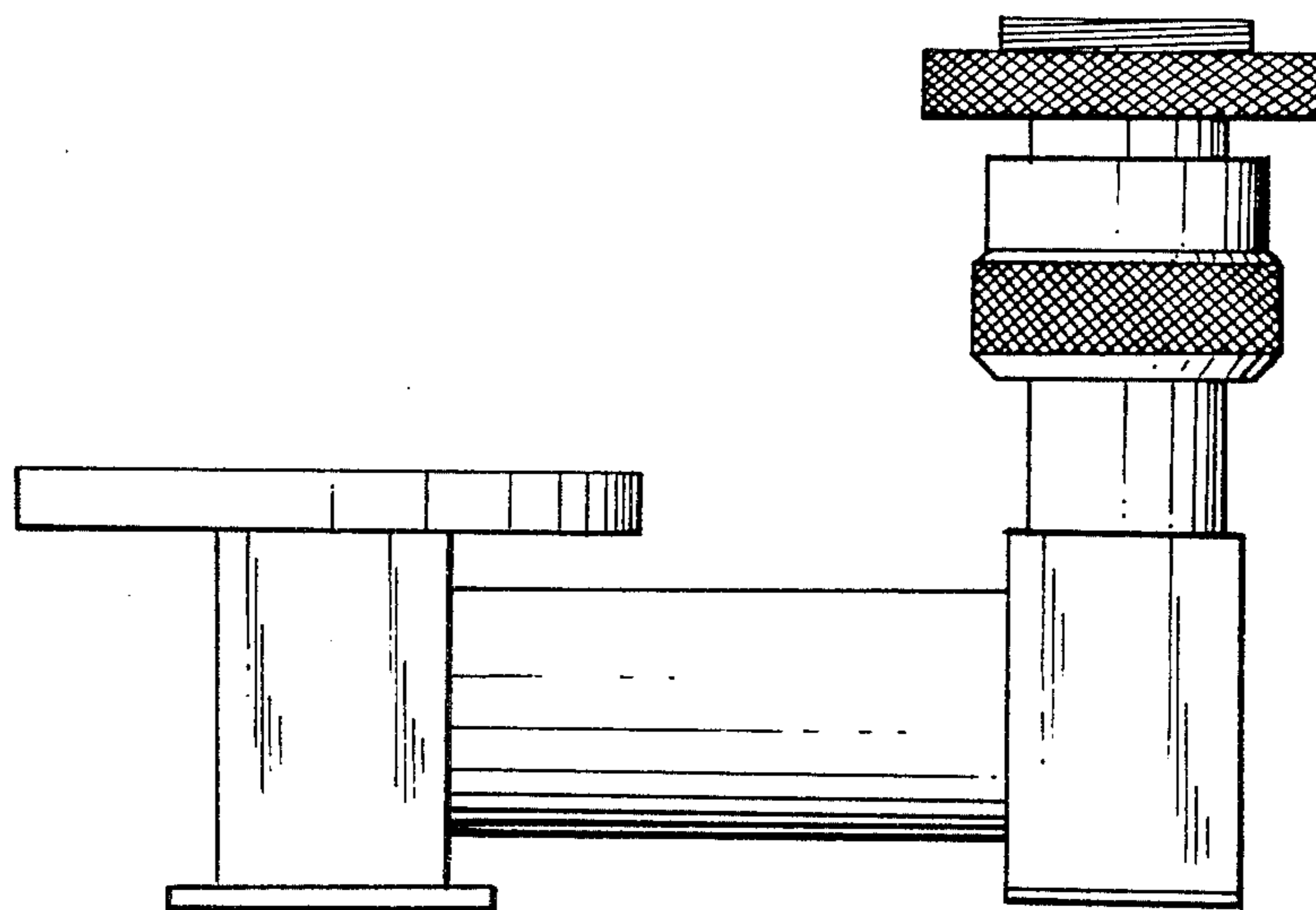


FIG. 1

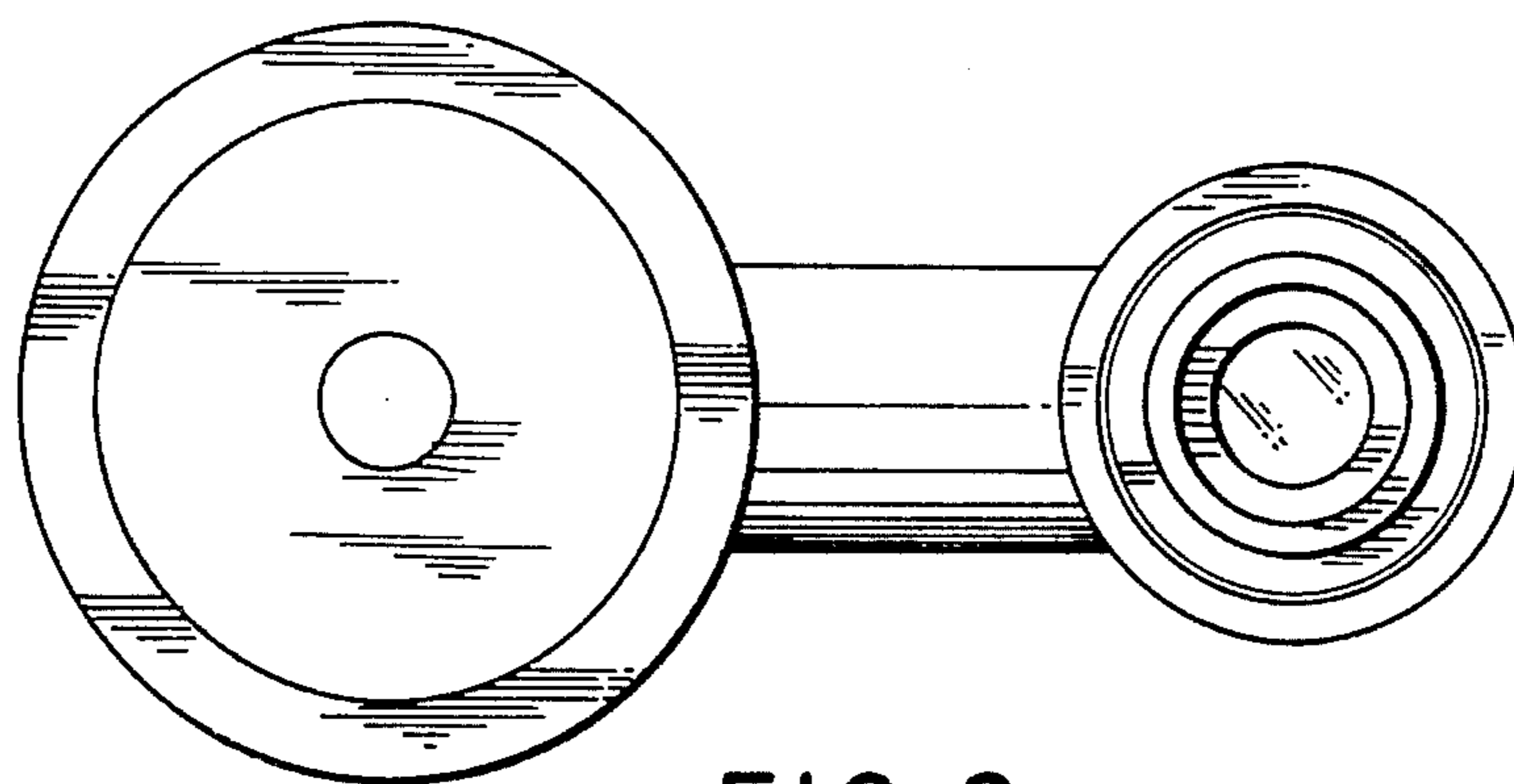


FIG. 2

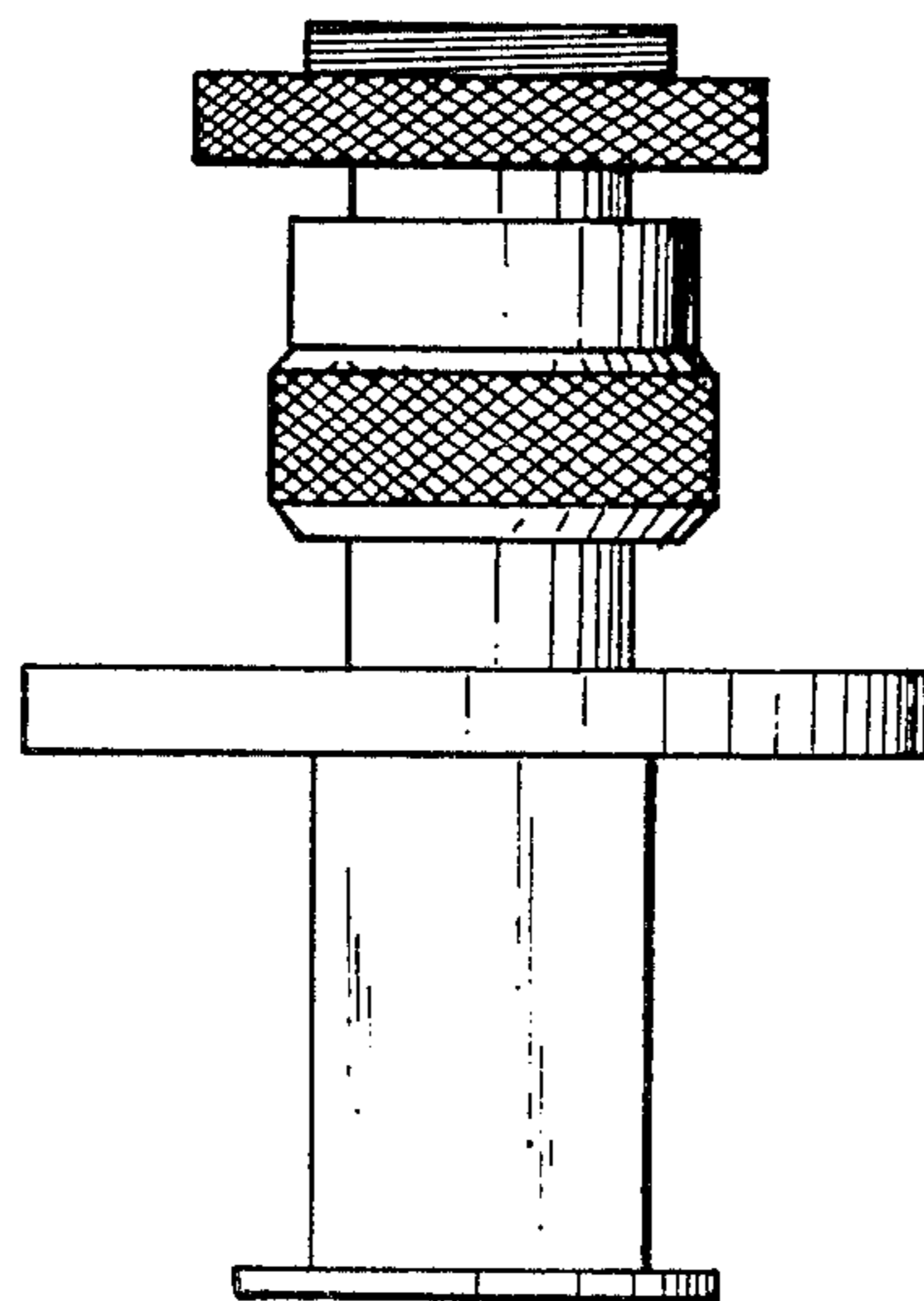


FIG. 3

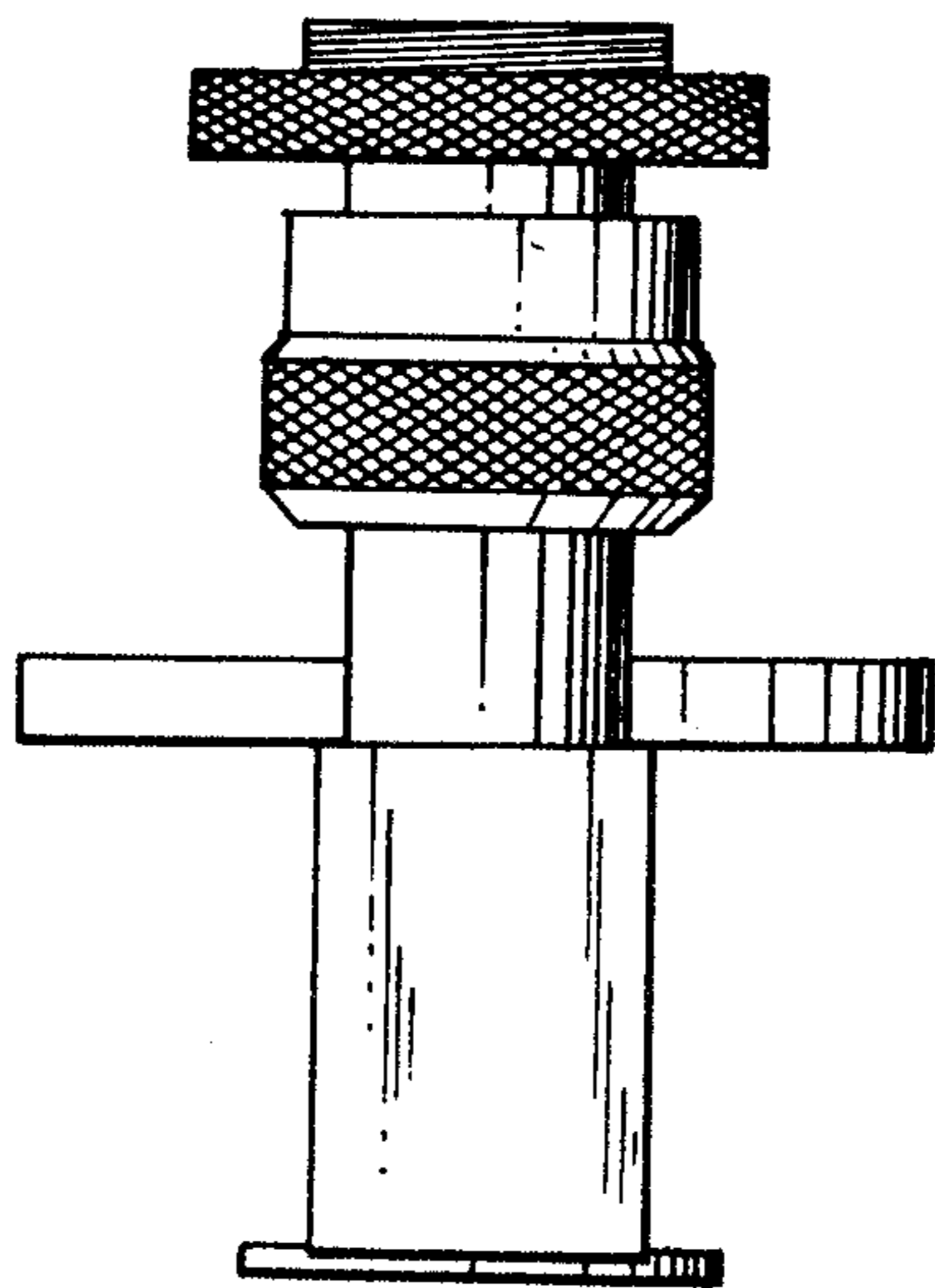


FIG. 4

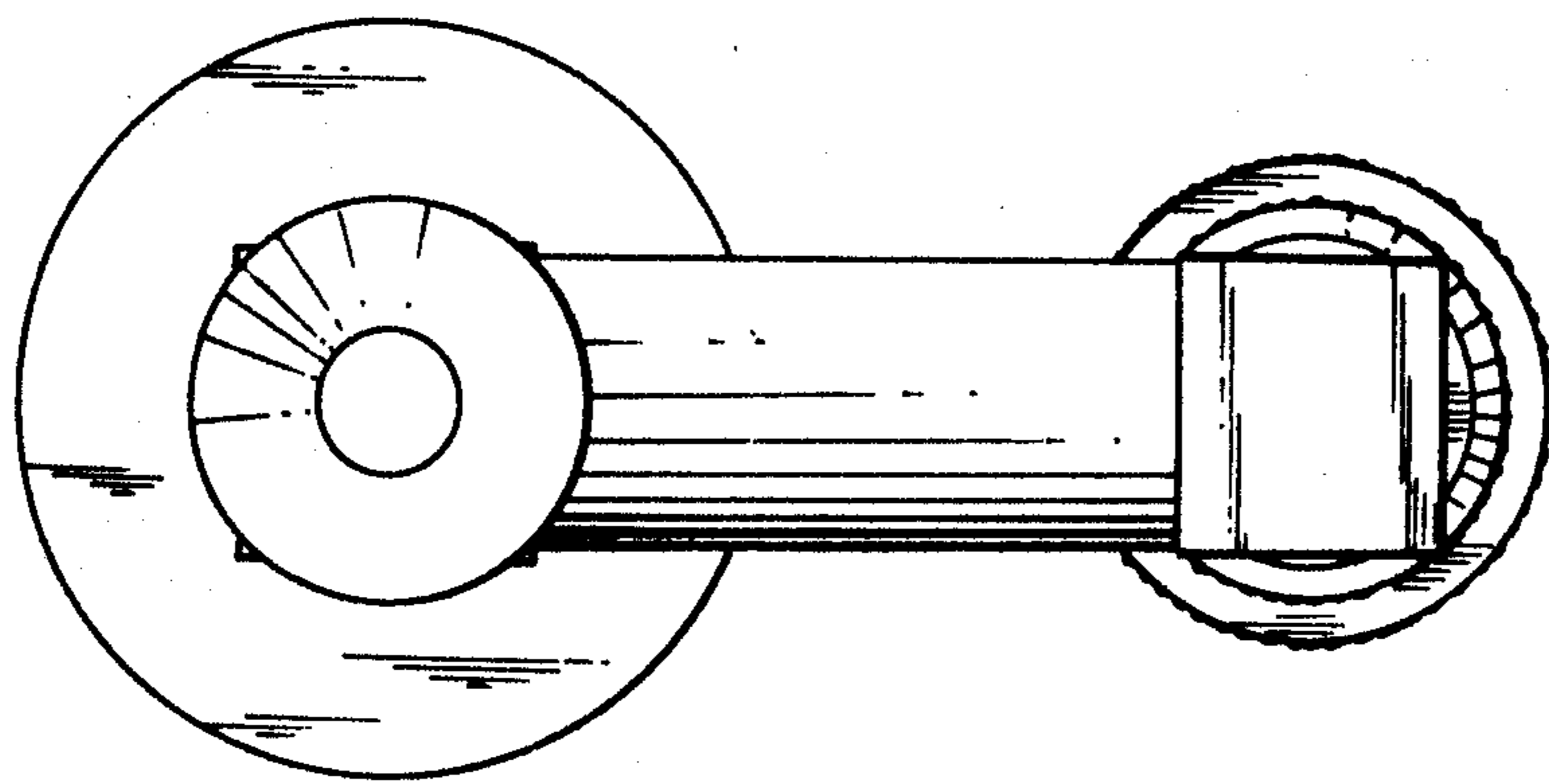


FIG. 5