

[54] BEAM SPLITTING ADJUSTABLE C-MOUNT OPTICAL COUPLER

[75] Inventor: Richard E. Feinbloom, New York, N.Y.

[73] Assignee: Designs for Vision, Inc., New York, N.Y.

[\*\*] Term: 14 Years

[21] Appl. No.: 383,729

[22] Filed: Jun. 1, 1982

[52] U.S. Cl. .... D16/130

[58] Field of Search ..... D16/130, 136, 10, 38; D24/1.8, 8, 17; 354/62, 79, 286; 358/98; 350/96.15-96.19; 128/4-9

[56] References Cited

U.S. PATENT DOCUMENTS

D. 248,160 6/1978 Feinbloom et al. .... D16/38

D. 272,745	2/1984	Feinbloom et al. ....	D16/130
4,157,216	6/1979	Plummer .....	354/62
4,248,213	2/1981	Landre .....	128/6
4,264,167	4/1981	Plummer .....	354/62

Primary Examiner—Catherine E. Kemper  
Attorney, Agent, or Firm—Arthur L. Plevy

[57] CLAIM

The ornamental design for a beam splitting adjustable c-mount optical coupler, as shown and described.

DESCRIPTION

FIG. 1 is a right side elevational view of a beam splitting adjustable C-mount optical coupler, showing my new design;

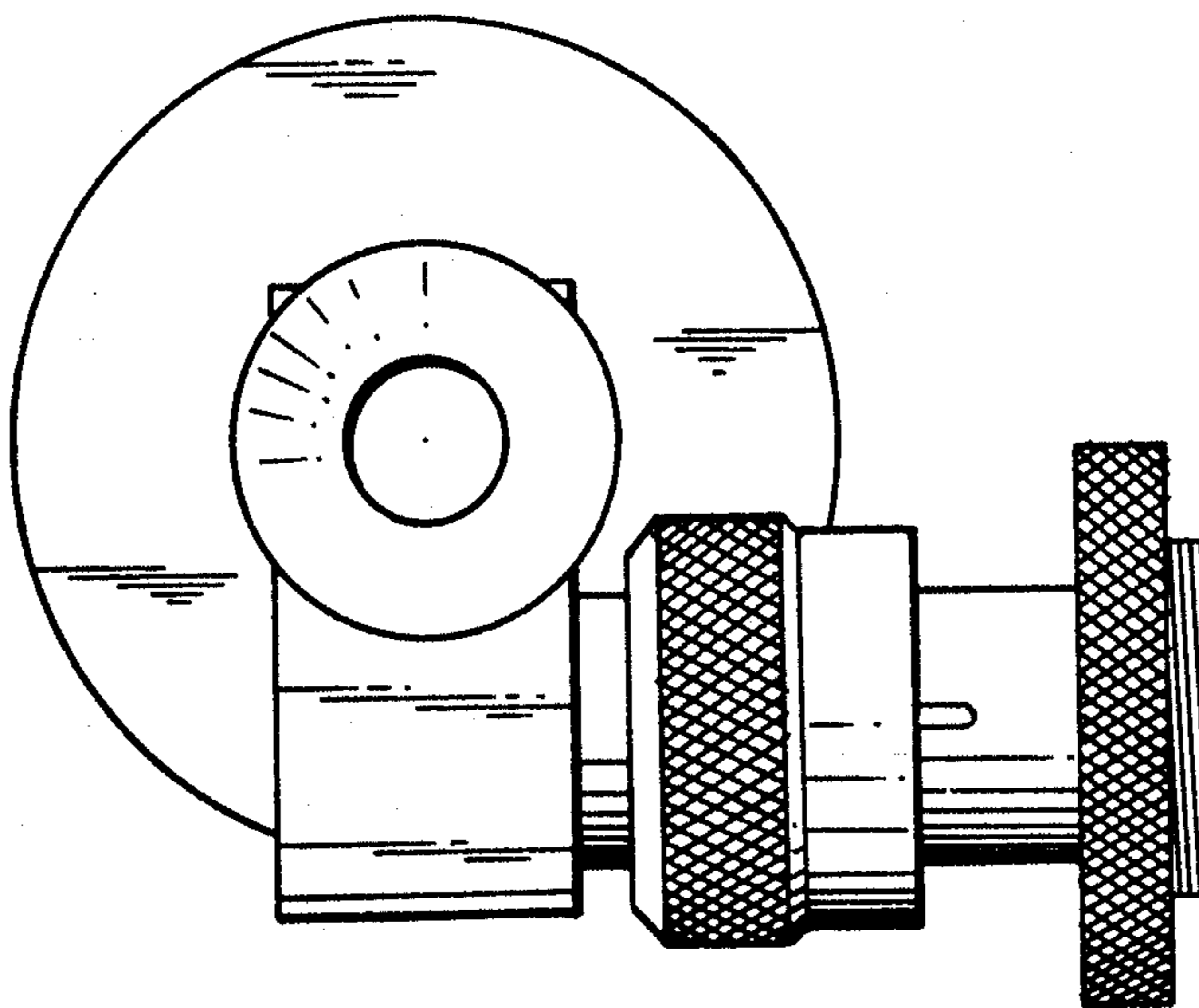
FIG. 2 is a left side elevational view thereof;

FIG. 3 is a front elevational view thereof;

FIG. 4 is a rear elevational view thereof;

FIG. 5 is a top plan view thereof;

FIG. 6 is a bottom plan view thereof.



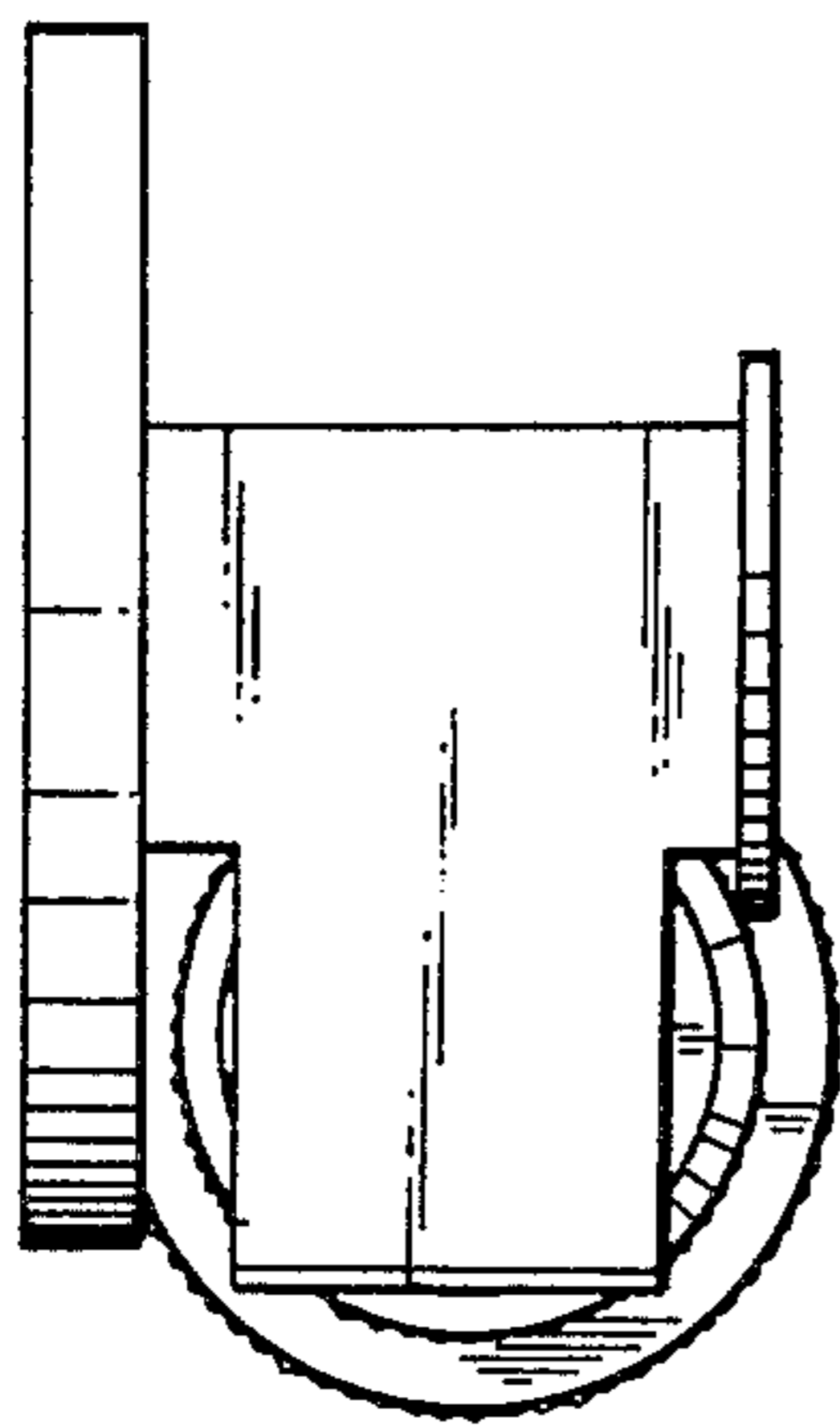
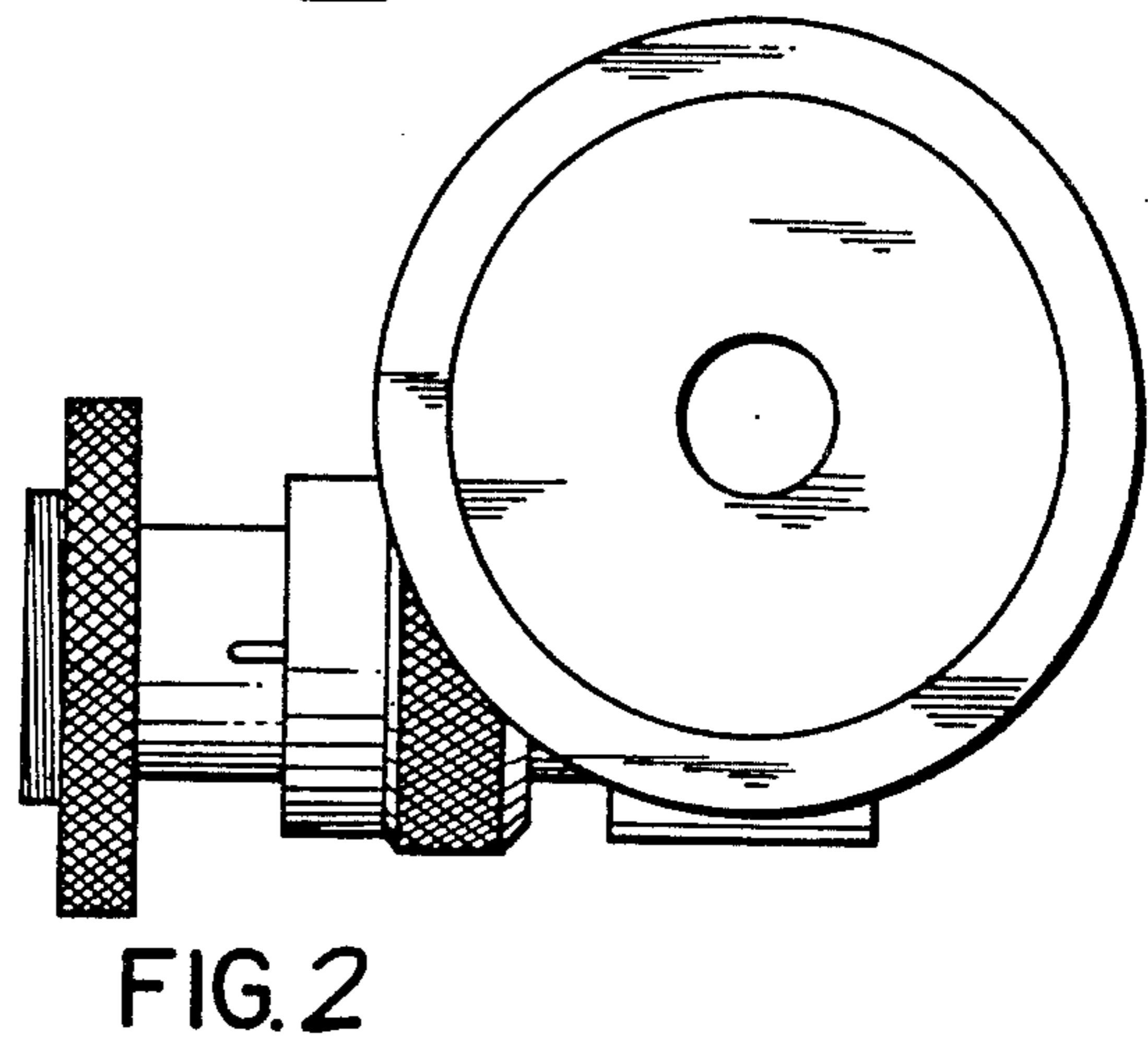
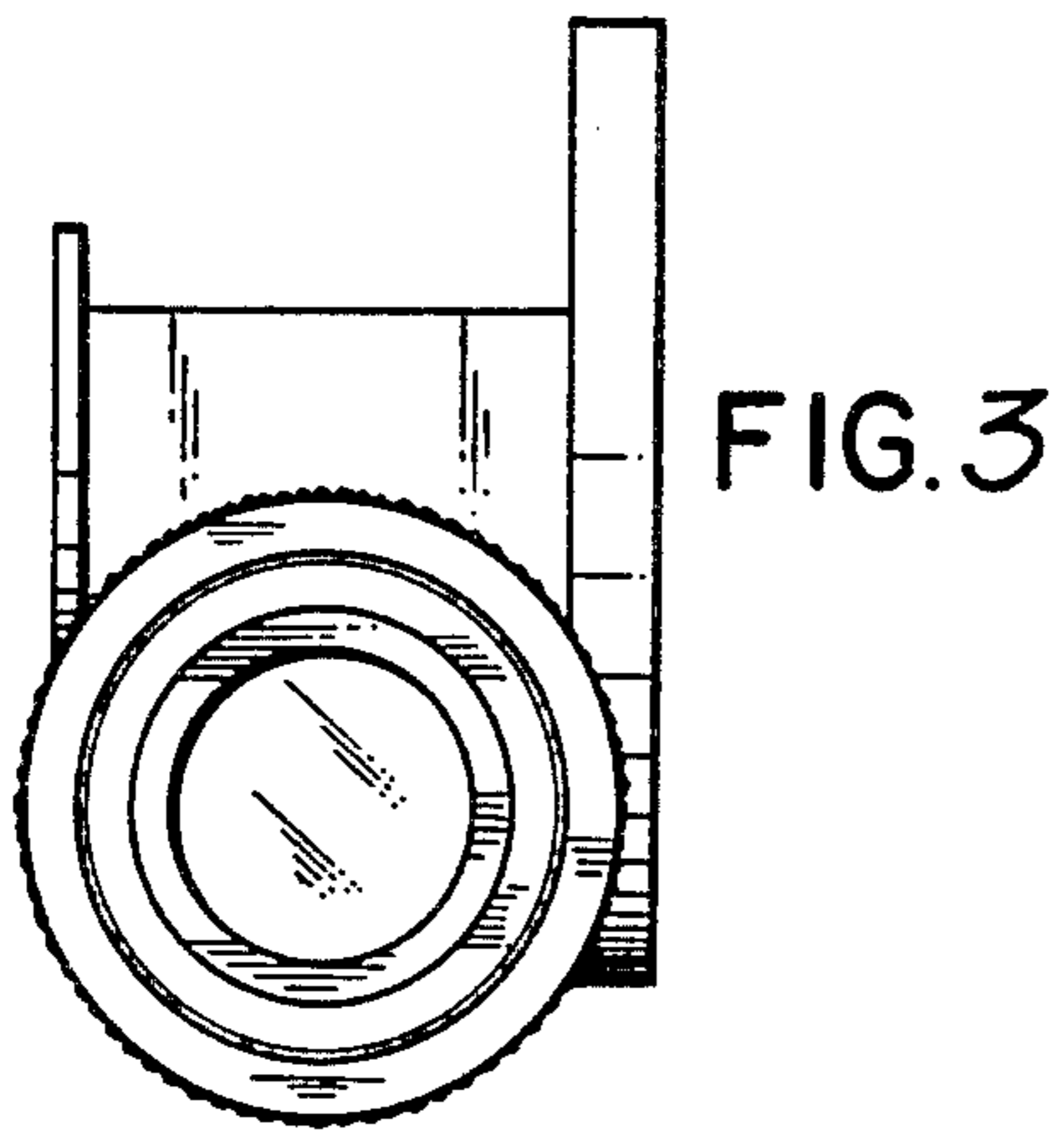
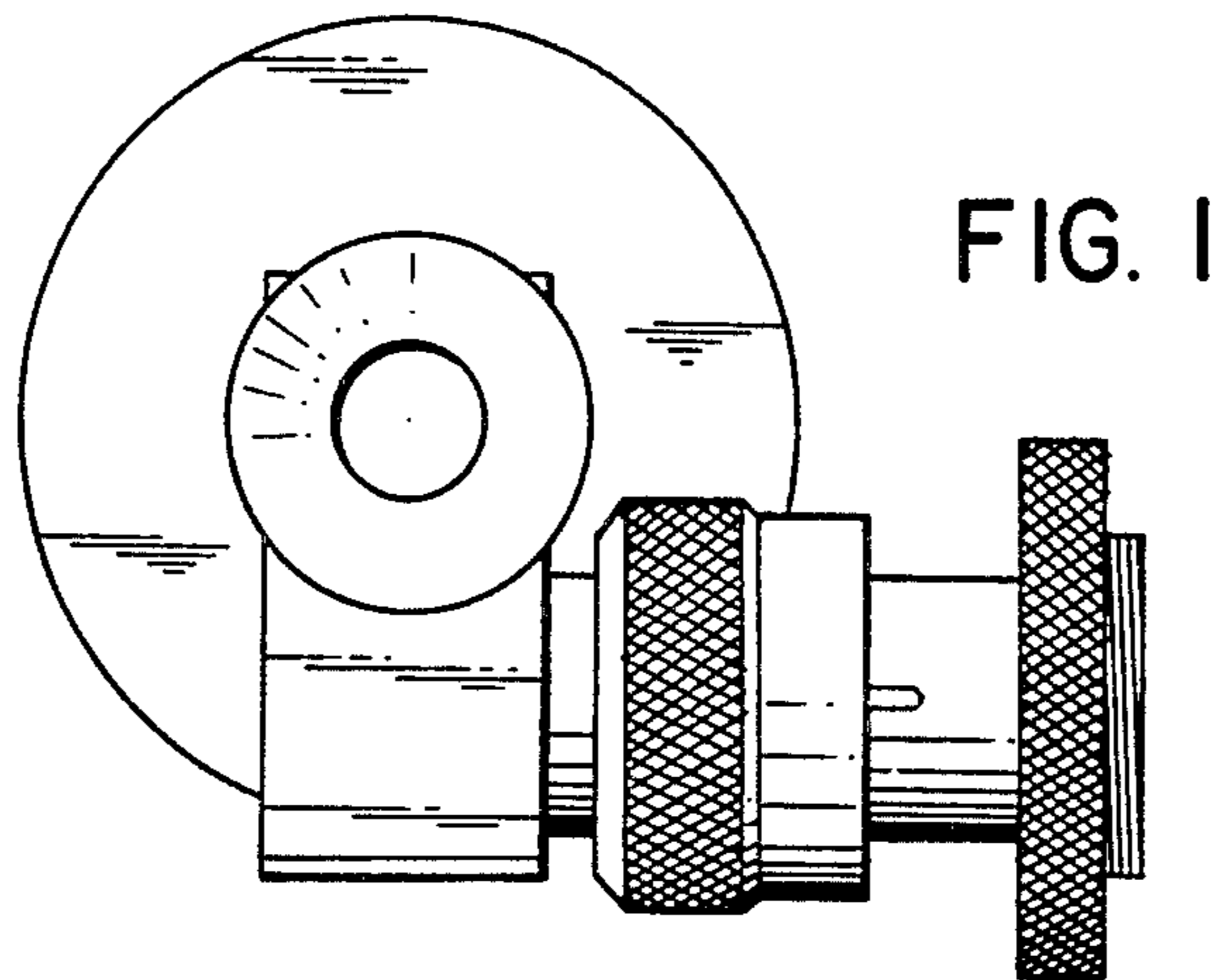


FIG. 4

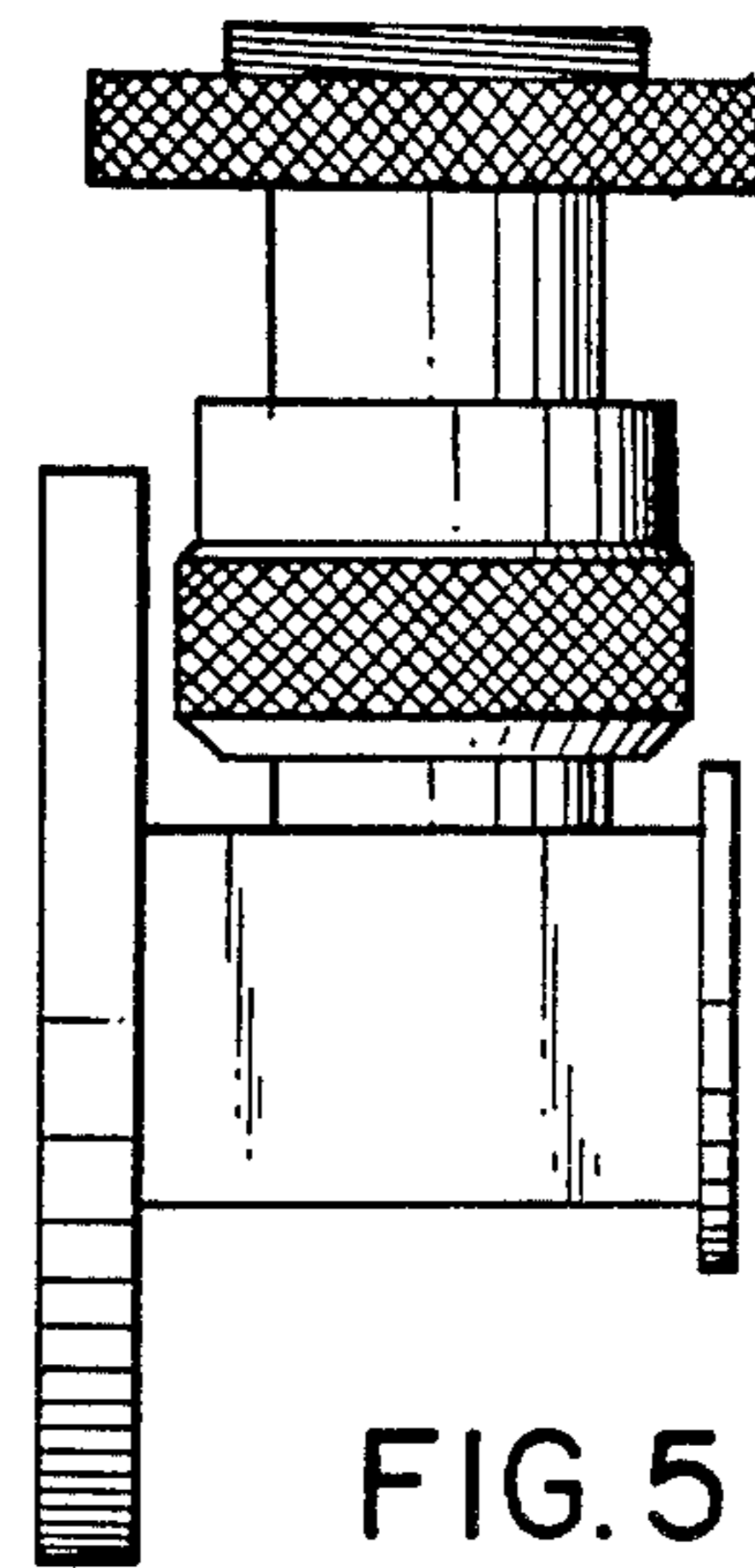


FIG. 5

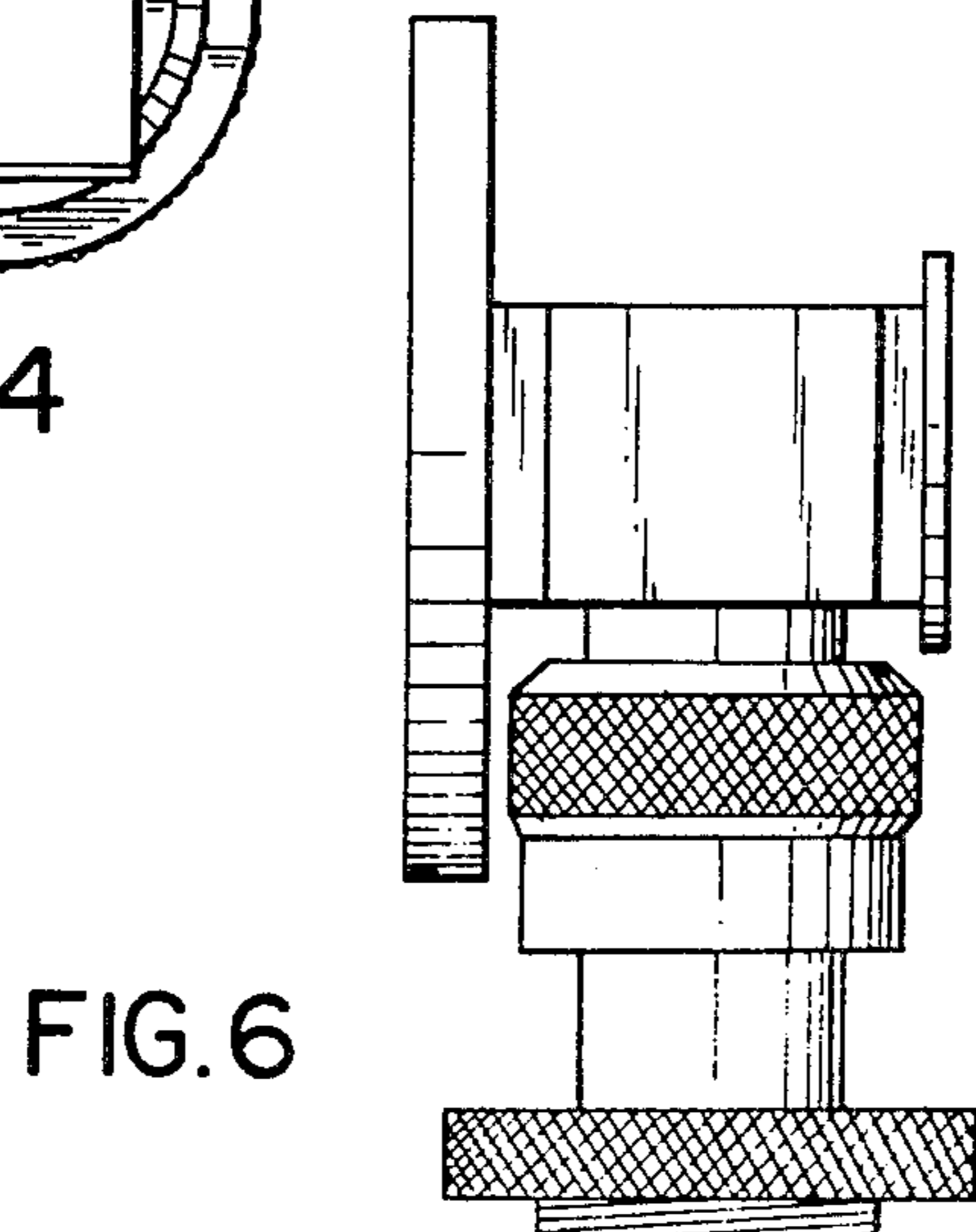


FIG. 6