

[54] ADJUSTABLE DIRECT ENDOSCOPIC OPTICAL COUPLER

[75] Inventor: Richard E. Feinbloom, New York, N.Y.

[73] Assignee: Designs for Vision, Inc., New York, N.Y.

[**] Term: 14 Years

[21] Appl. No.: 383,728

[22] Filed: Jun. 1, 1982

[52] U.S. Cl. D16/130

[58] Field of Search D16/130, 136, 10, 38; D24/1.8, 8, 17; 354/62, 79, 286; 358/98; 350/96.15-96.19; 128/4-9

[56] References Cited

U.S. PATENT DOCUMENTS

- D. 248,160 6/1978 Feinbloom et al. D16/38
- D. 271,209 11/1983 Feinbloom D16/130 X

- D. 272,745 2/1984 Feinbloom et al. D16/130
- D. 272,915 3/1984 Feinbloom et al. D16/130
- 4,157,216 6/1979 Plummer 354/62
- 4,182,558 1/1980 Matsuo 354/62
- 4,196,990 4/1980 Forsyth 128/6 X
- 4,264,167 4/1981 Plummer 354/62

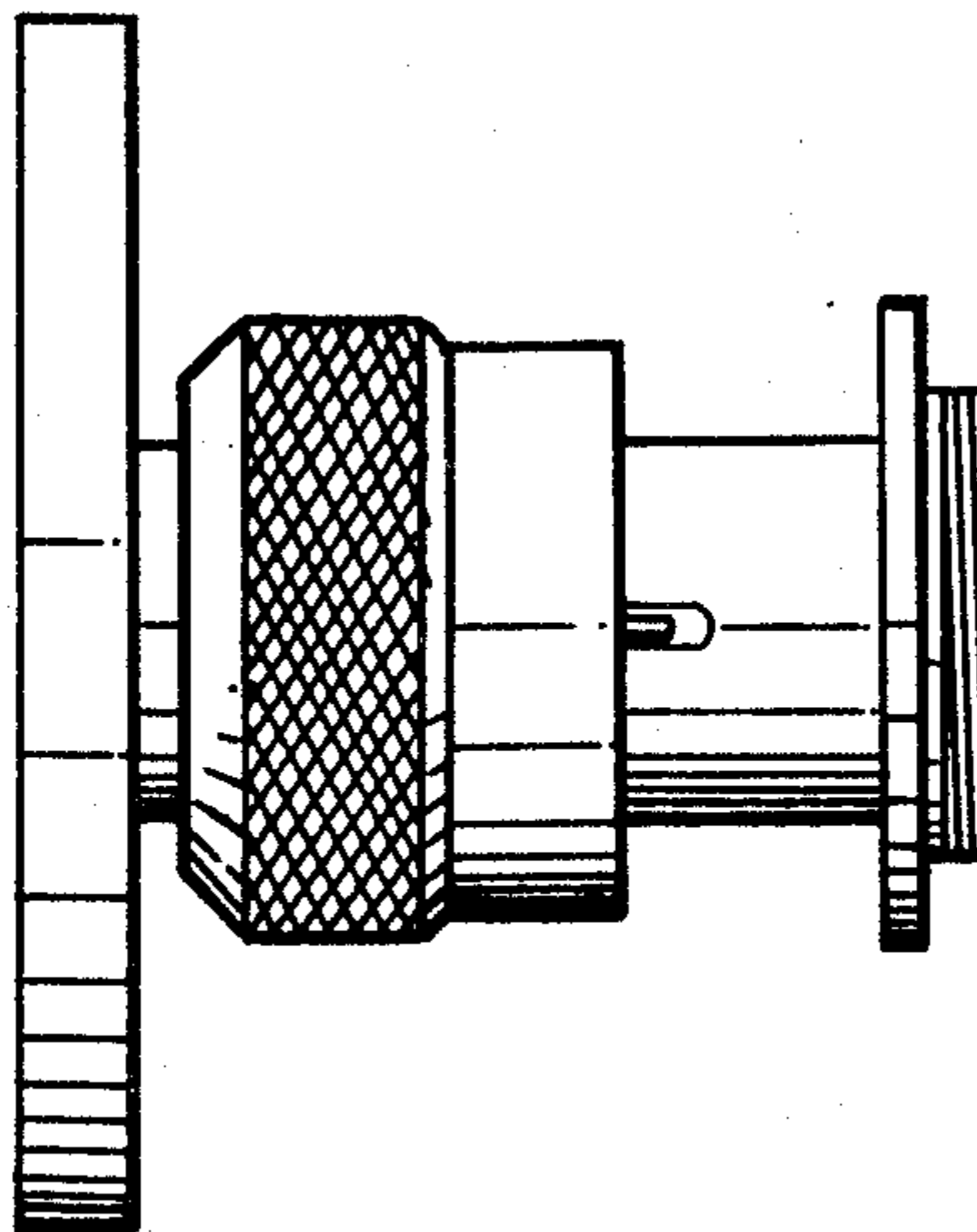
Primary Examiner—Catherine E. Kemper
Attorney, Agent, or Firm—Arthur L. Plevy

[57] CLAIM

The ornamental design for an adjustable direct endoscopic optical coupler, as shown and described.

DESCRIPTION

FIG. 1 is a right side elevational view of an adjustable direct endoscopic optical coupler, showing my new design, the left side being a mirror image thereof;
 FIG. 2 is a top plan view, the bottom view being symmetrical;
 FIG. 3 is a front elevational view thereof;
 FIG. 4 is a rear elevational view thereof.



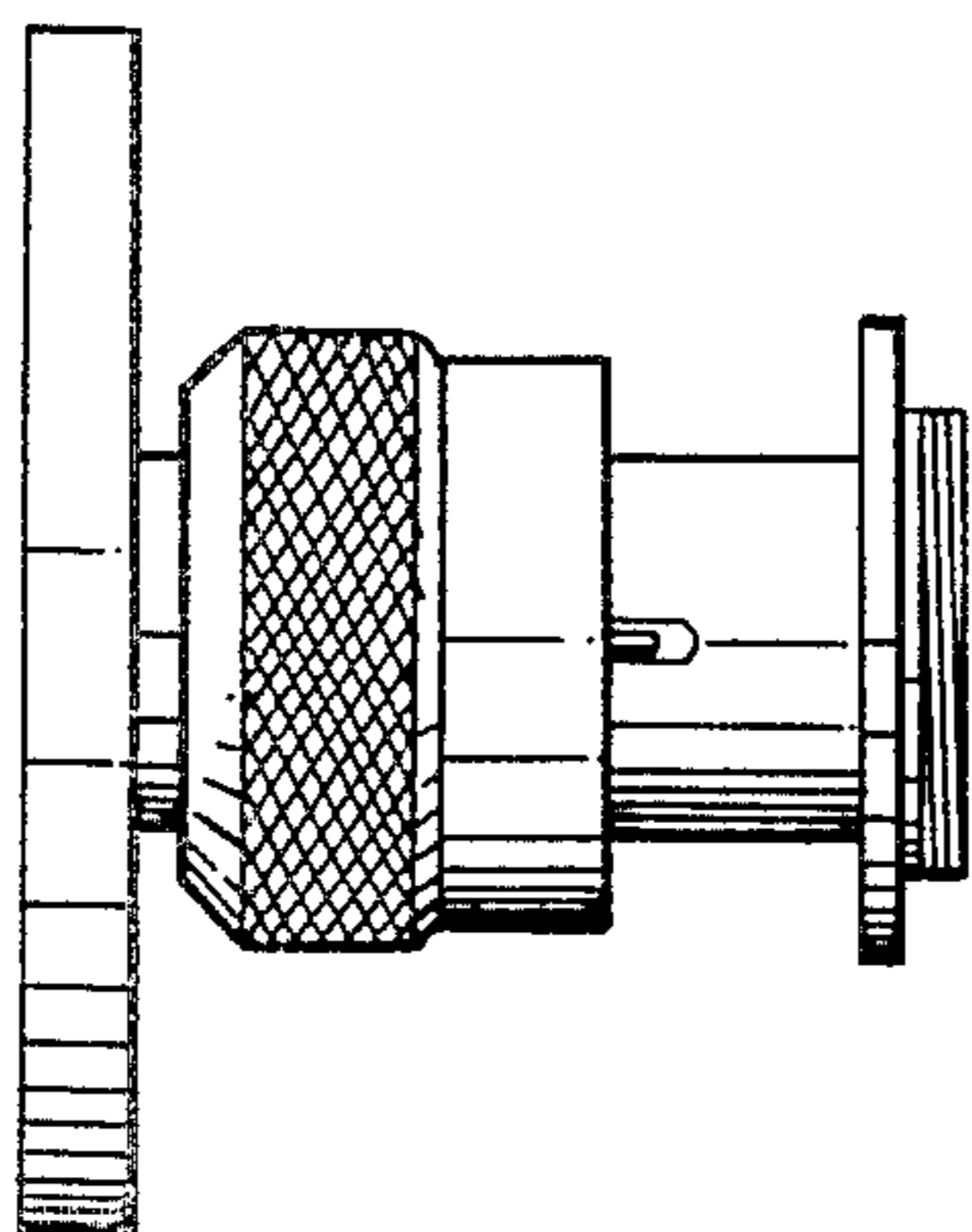


FIG. 1

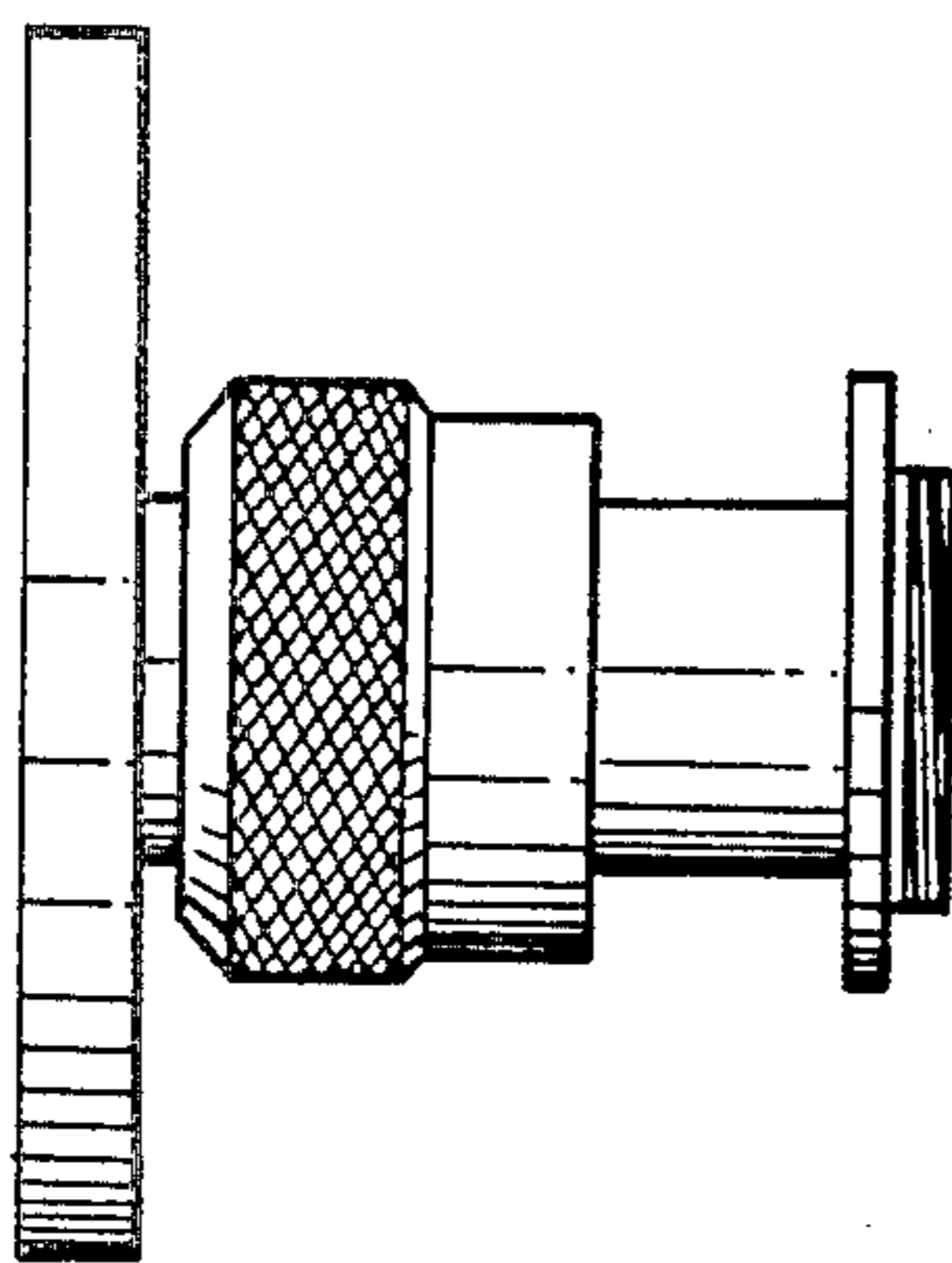


FIG. 2

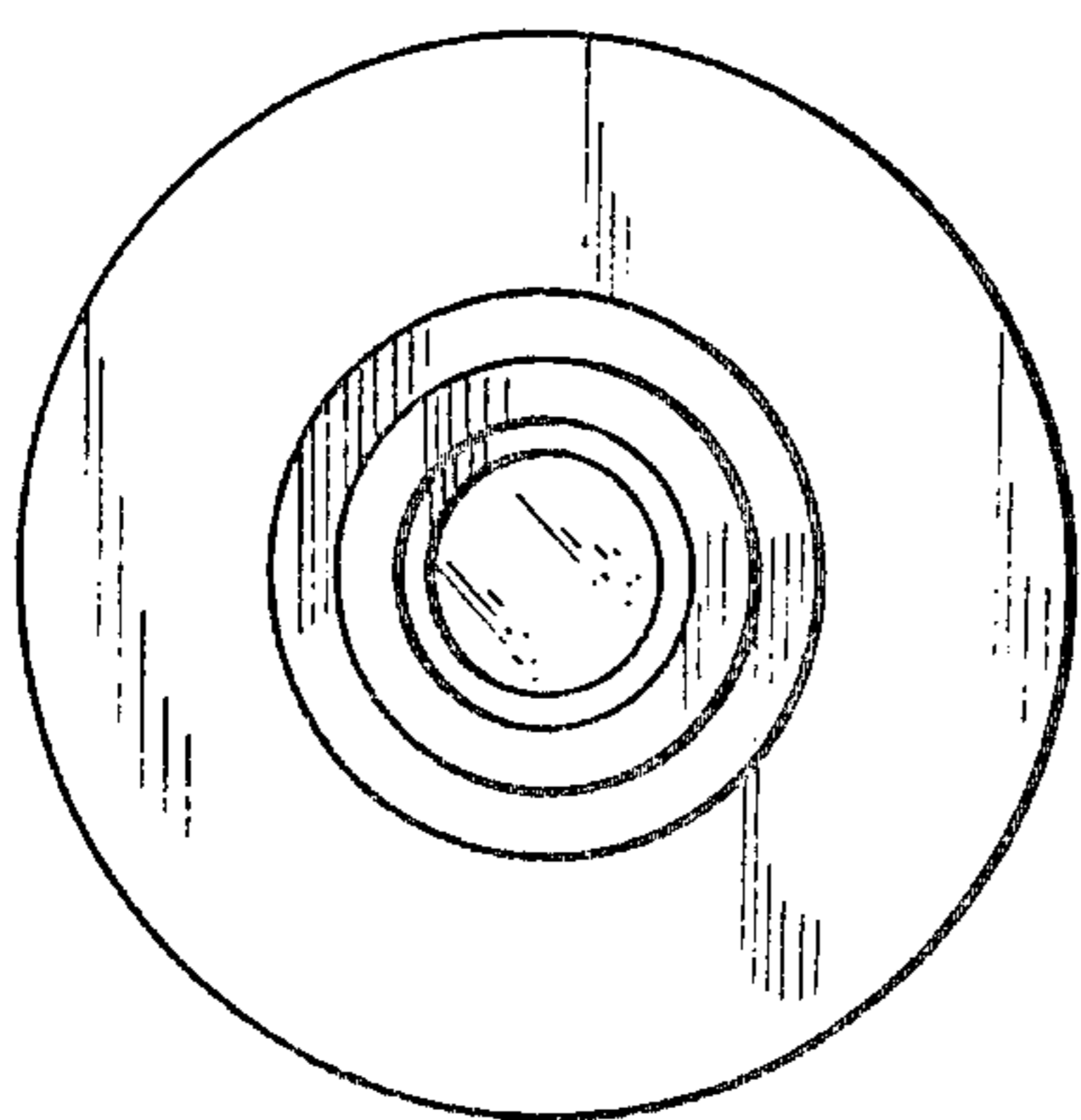


FIG. 3

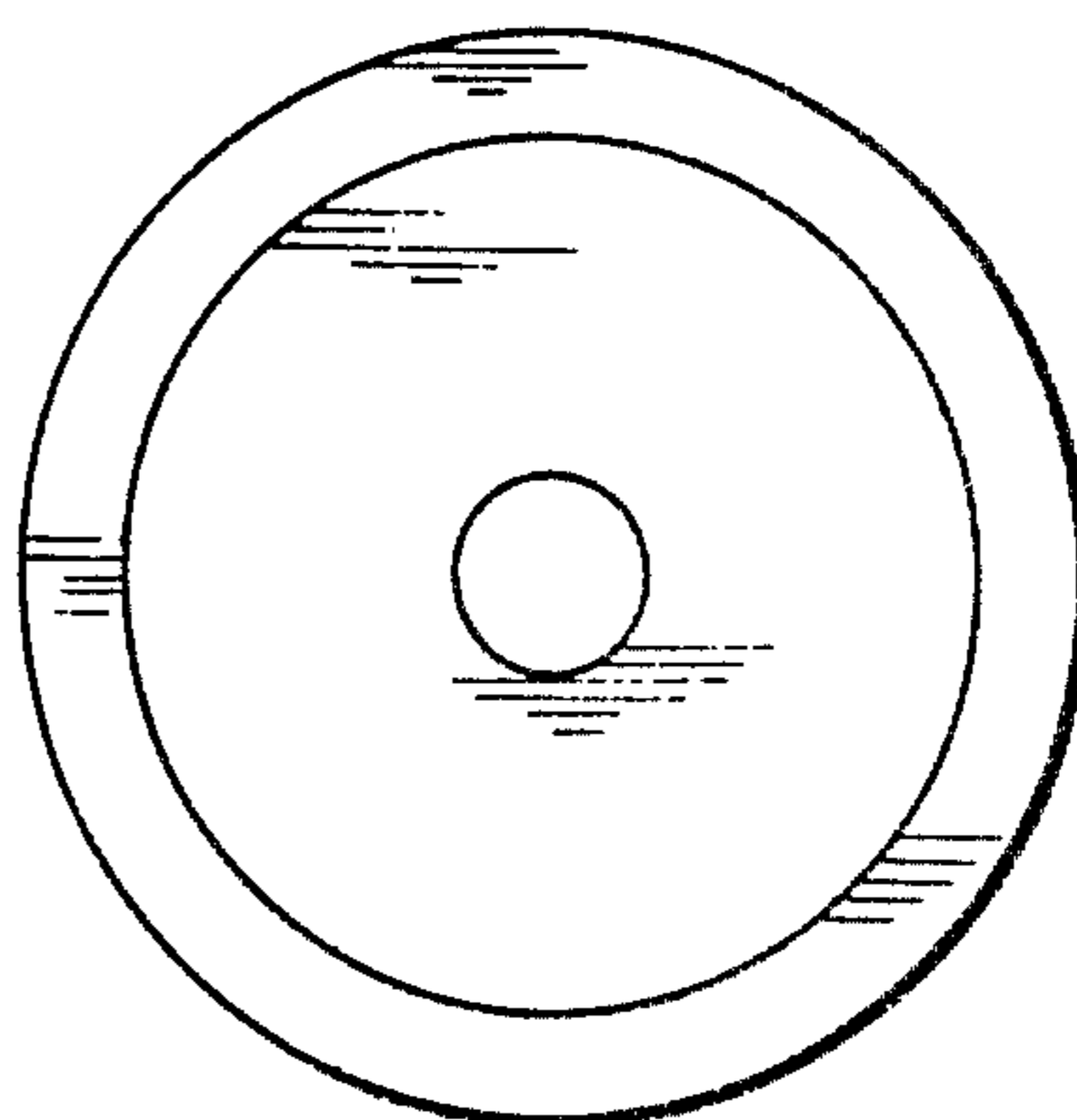


FIG. 4