

[54] ORIGINAL FEEDER FOR COPYING MACHINE

[75] Inventor: Hideyuki Horie, Kamagaya, Japan

[73] Assignee: Tokyo Shibaura Denki Kabushiki Kaisha, Japan

[\*\*] Term: 14 Years

[21] Appl. No.: 373,623

[22] Filed: Apr. 30, 1982

[30] Foreign Application Priority Data

Nov. 2, 1982 [JP] Japan ..... 56/48556

[52] U.S. Cl. .... D16/32

[58] Field of Search ..... D16/32, 27-31; 355/3 SH, 14 SH; 271/3, 3.1, 4, 9, 35, 171, 273-274, 280, 284, 287-297, 305; D14/114, 110

[56] References Cited

U.S. PATENT DOCUMENTS

D. 225,572 12/1972 Knodt ..... D16/32

D. 227,034 5/1973 Derby ..... D16/27  
D. 245,166 7/1977 Bevilacqua ..... D16/32  
D. 265,830 8/1982 Nakade ..... D16/32  
D. 267,803 2/1983 Kalvitis ..... D16/32  
D. 268,682 4/1983 Nakade ..... D16/32

Primary Examiner—Nelson C. Holtje  
Attorney, Agent, or Firm—Finnegan, Henderson, Farabow, Garrett & Dunner

[57] CLAIM

The ornamental design for an original feeder for copying machine, substantially as shown and described.

DESCRIPTION

FIG. 1 is a front, top and right side perspective view of an original feeder for copying machine showing my new design;  
FIG. 2 is a rear, top and left side perspective view of FIG. 1, and  
FIG. 3 is a right front perspective view thereof, the broken-line showings being environmental only and forms no part of the claimed design.

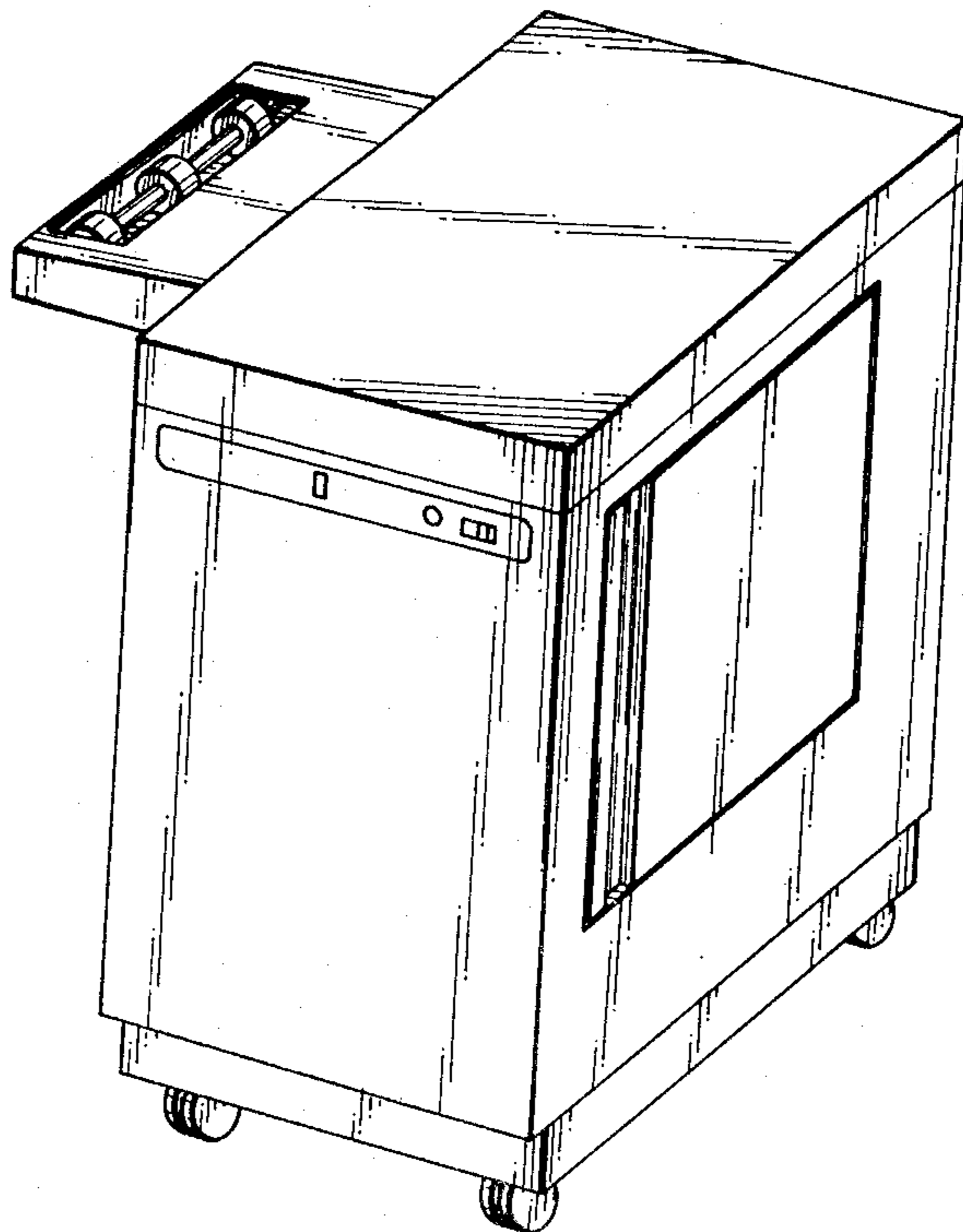


FIG. 2

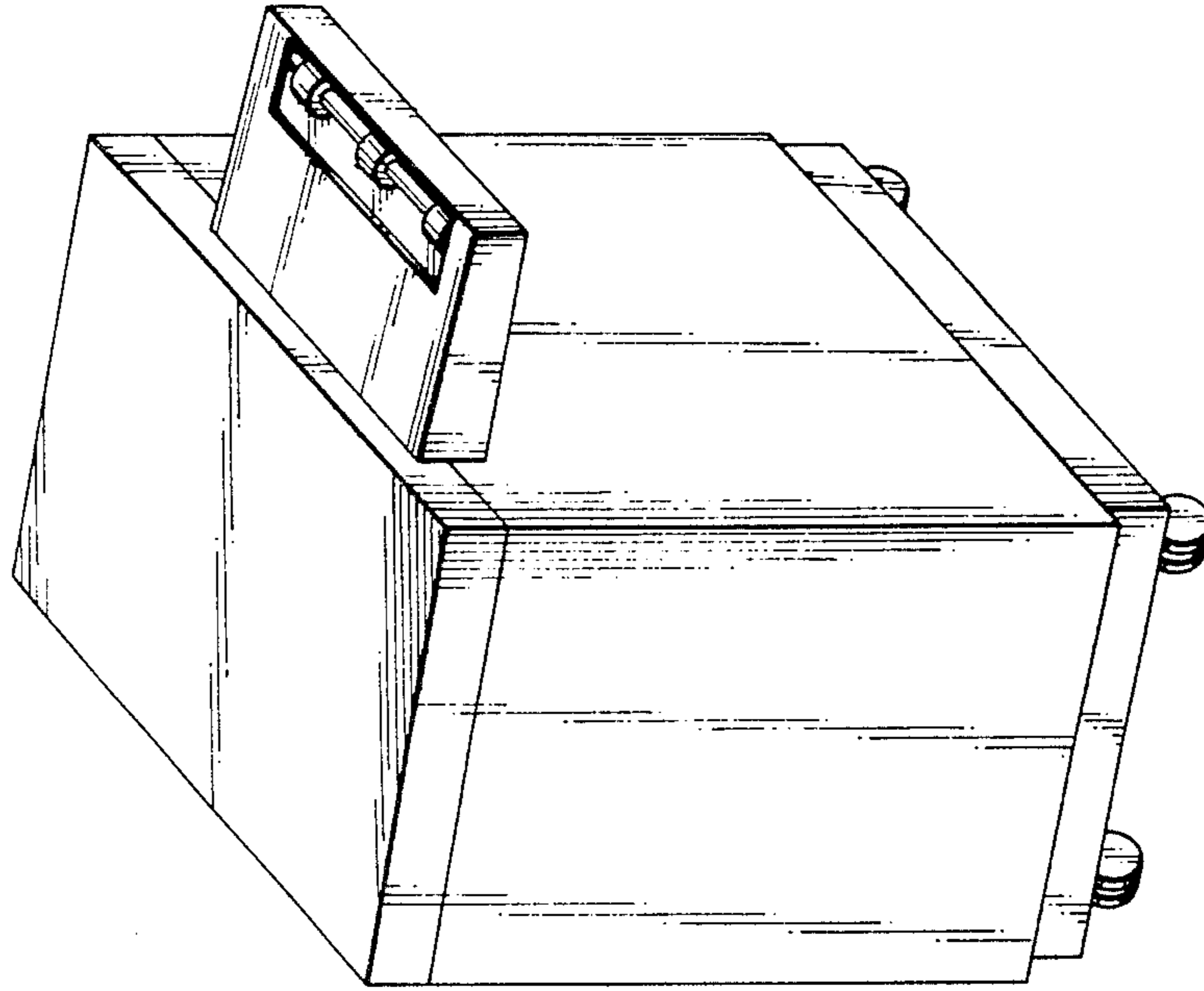


FIG. 1

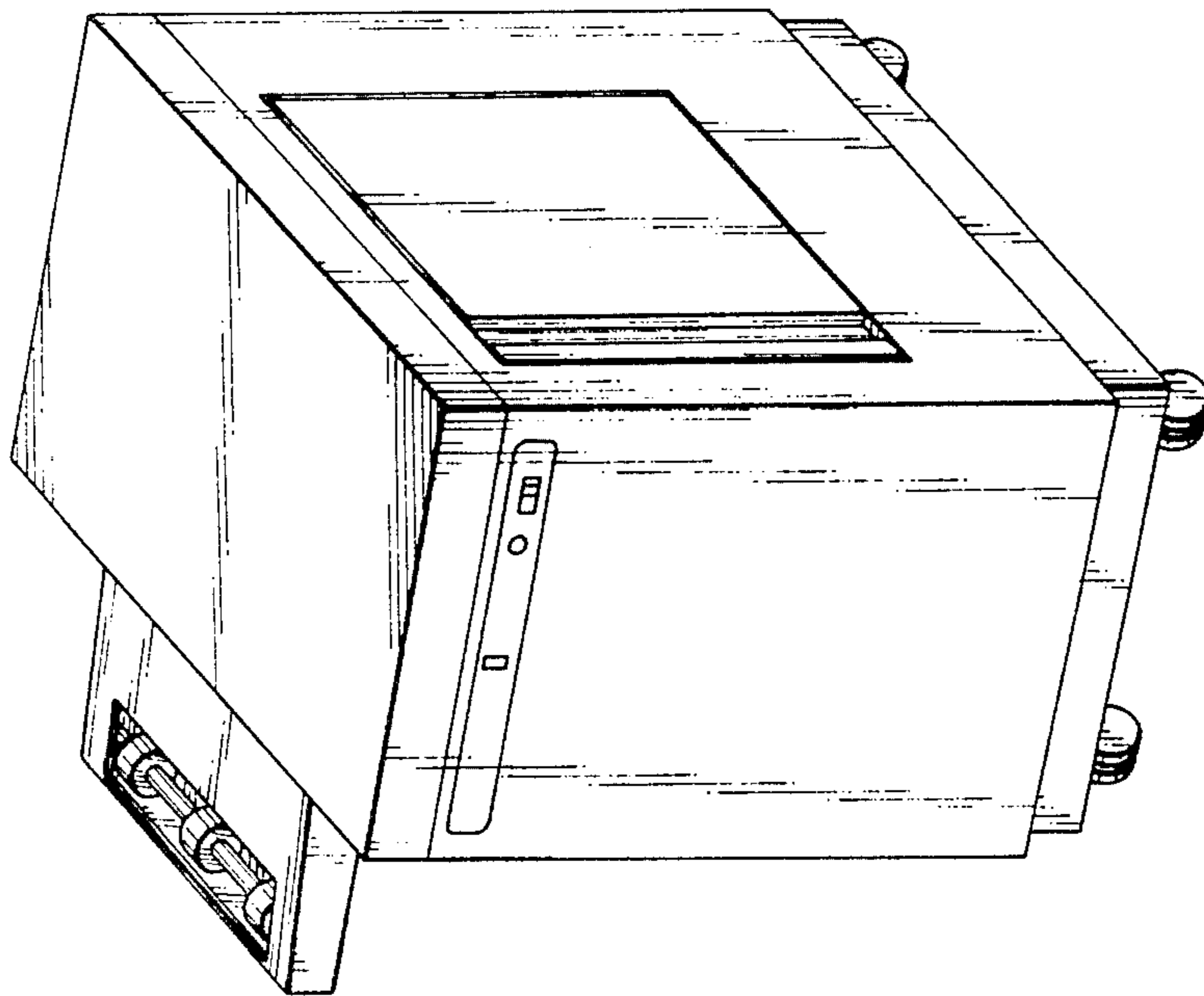


FIG. 3

