

[54] COMBINED WOODWORKING ROUTER AND SHAPER MACHINE

[75] Inventor: Robert L. Campbell, Jr., Hickory, N.C.

[73] Assignee: Campbell Automation, Incorporated, Hickory, N.C.

[**] Term: 14 Years

[21] Appl. No.: 409,576

[22] Filed: Aug. 19, 1982

[52] U.S. Cl. D15/127

[58] Field of Search D15/122, 127; 144/116, 144/134 R

[56] References Cited

U.S. PATENT DOCUMENTS

D. 187,715 4/1960 Deschamps et al. D15/122

D. 188,088 5/1960 Deschamps et al. D15/127
D. 267,406 12/1982 Glore D15/127
3,344,825 10/1967 Kvalheim et al. 144/1 R

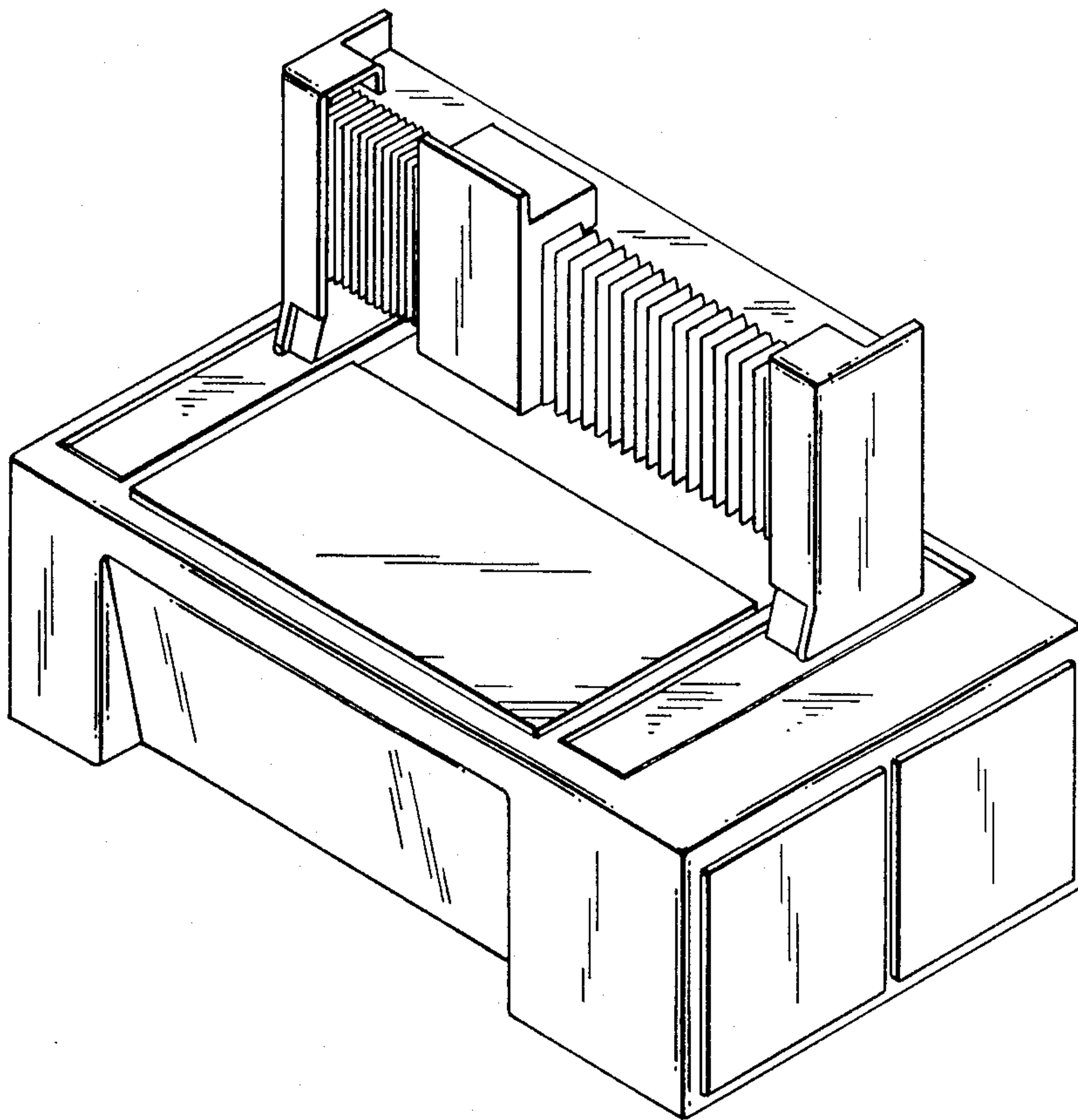
Primary Examiner—B. J. Bullock
Attorney, Agent, or Firm—Bell, Seltzer, Park & Gibson

[57] CLAIM

The ornamental design for a combined woodworking router and shaper machine, substantially as shown and described.

DESCRIPTION

FIG. 1 is a front perspective view of a combined wood- working router and shaper machine showing my new design; FIG. 2 is a rear perspective view of FIG. 1; FIG. 3 is a front perspective view of a second embodi- ment of my design; and FIG. 4 is a rear perspective view of FIG. 3.



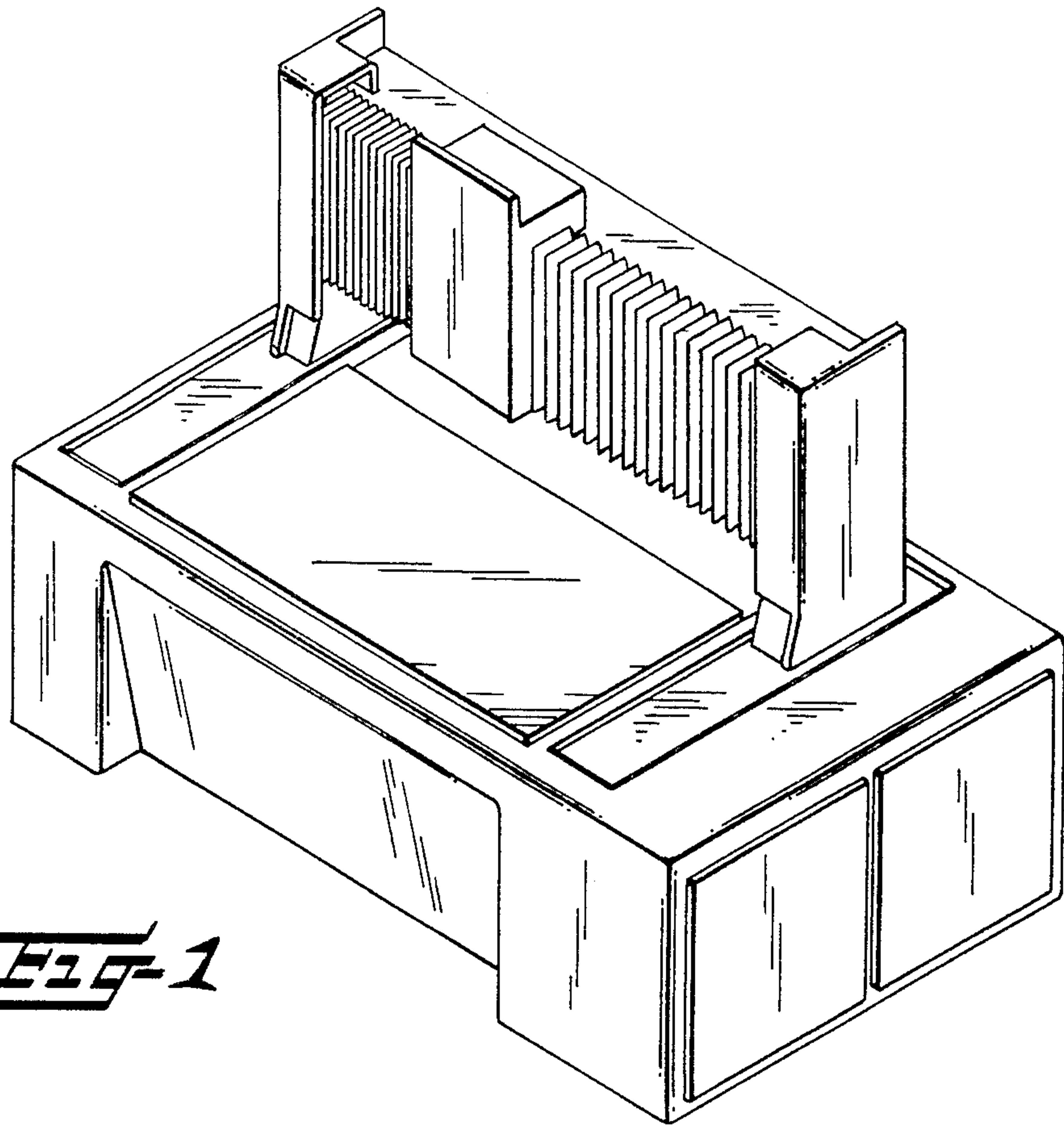


FIG-1

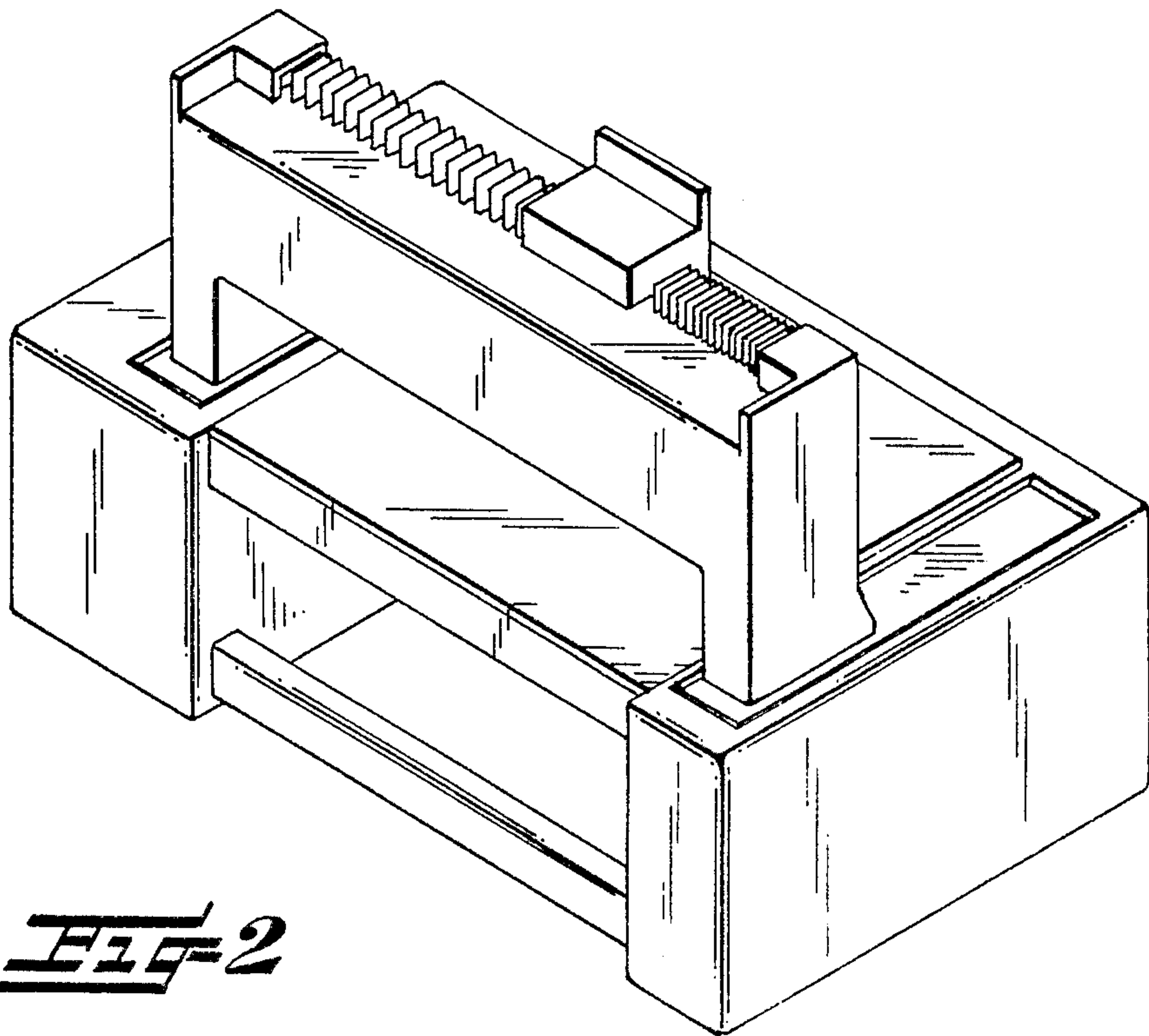


FIG-2

