

[54] SCORING DEVICE FOR LAMINATED SHEET MATERIAL

3,973,459 8/1976 Stowe D15/127
4,221,150 9/1980 Bergfelt et al. 83/886 X

[76] Inventor: Myron W. Shaffer, 2118 W. 11th, Irving, Tex. 75060

FOREIGN PATENT DOCUMENTS

223758 3/1962 Austria 83/886
383248 12/1964 Switzerland 83/886

[**] Term: 14 Years

Primary Examiner—Louis S. Zarfes
Attorney, Agent, or Firm—James E. Bradley

[21] Appl. No.: 367,418

[22] Filed: Apr. 12, 1982

[52] U.S. Cl. D15/127

[58] Field of Search D18/13, 34, 14;
D15/127; 30/164.9; 83/861-865, 879-887

[57] CLAIM

The ornamental design for a scoring device for laminated sheet material, as shown.

[56] References Cited

U.S. PATENT DOCUMENTS

611,238 9/1898 Drinkaus 83/862
3,668,956 6/1972 Whipple et al. 83/881

DESCRIPTION

FIG. 1 is a perspective front view of a scoring device for laminated sheet material showing my new design; FIG. 2 is a perspective rear view of the scoring device; FIG. 3 is a bottom view of the scoring device.

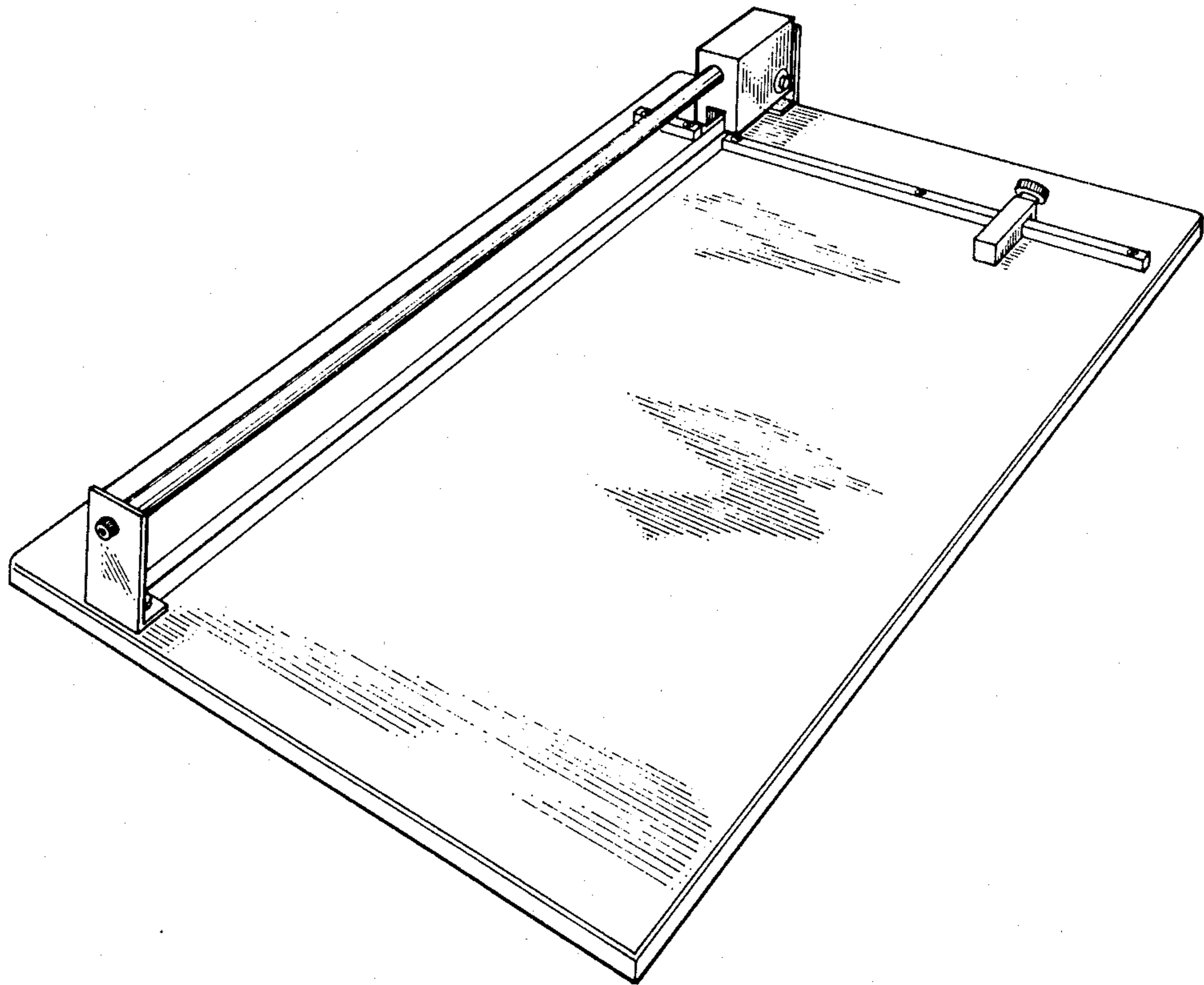


FIG. 1

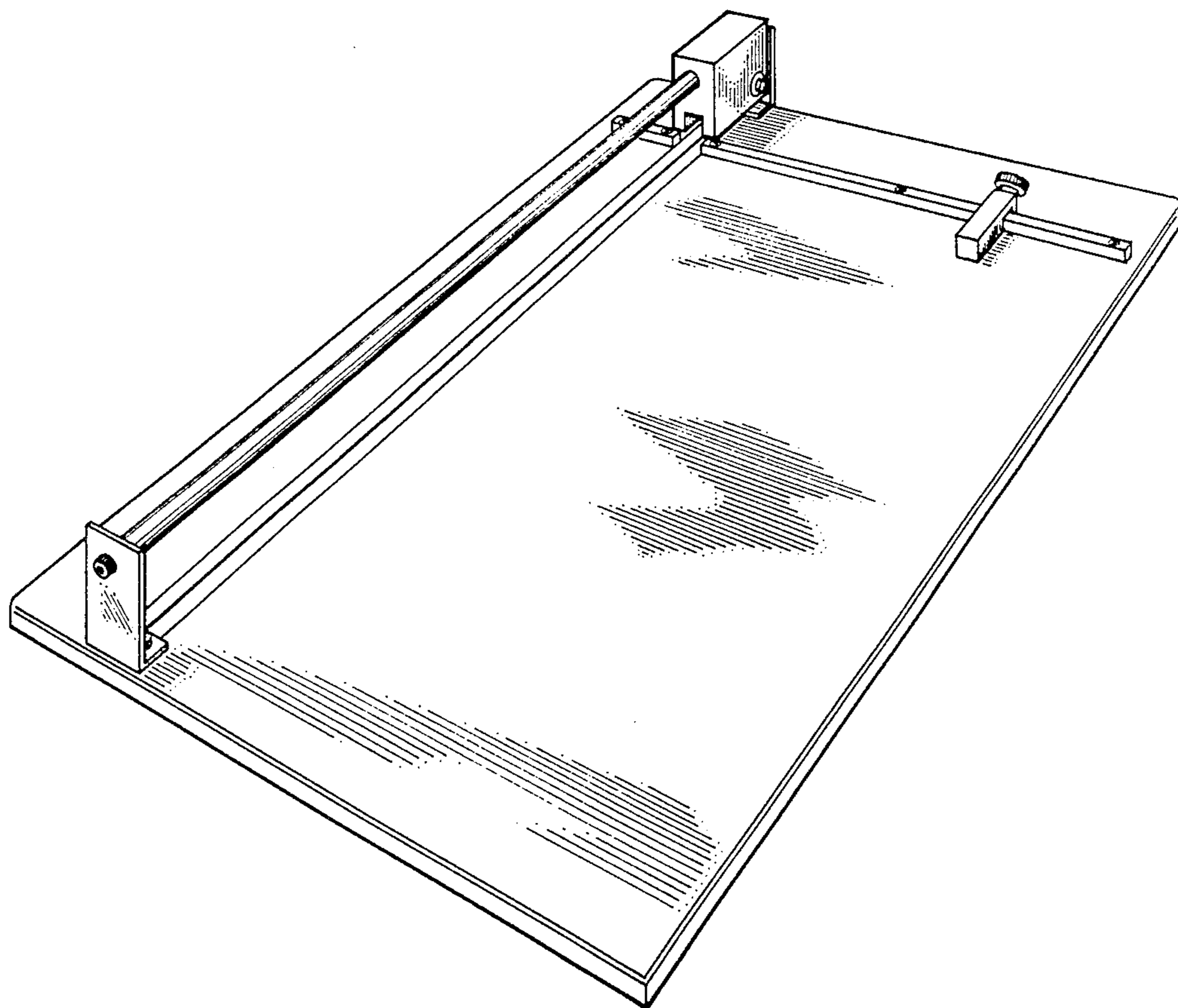


FIG. 2

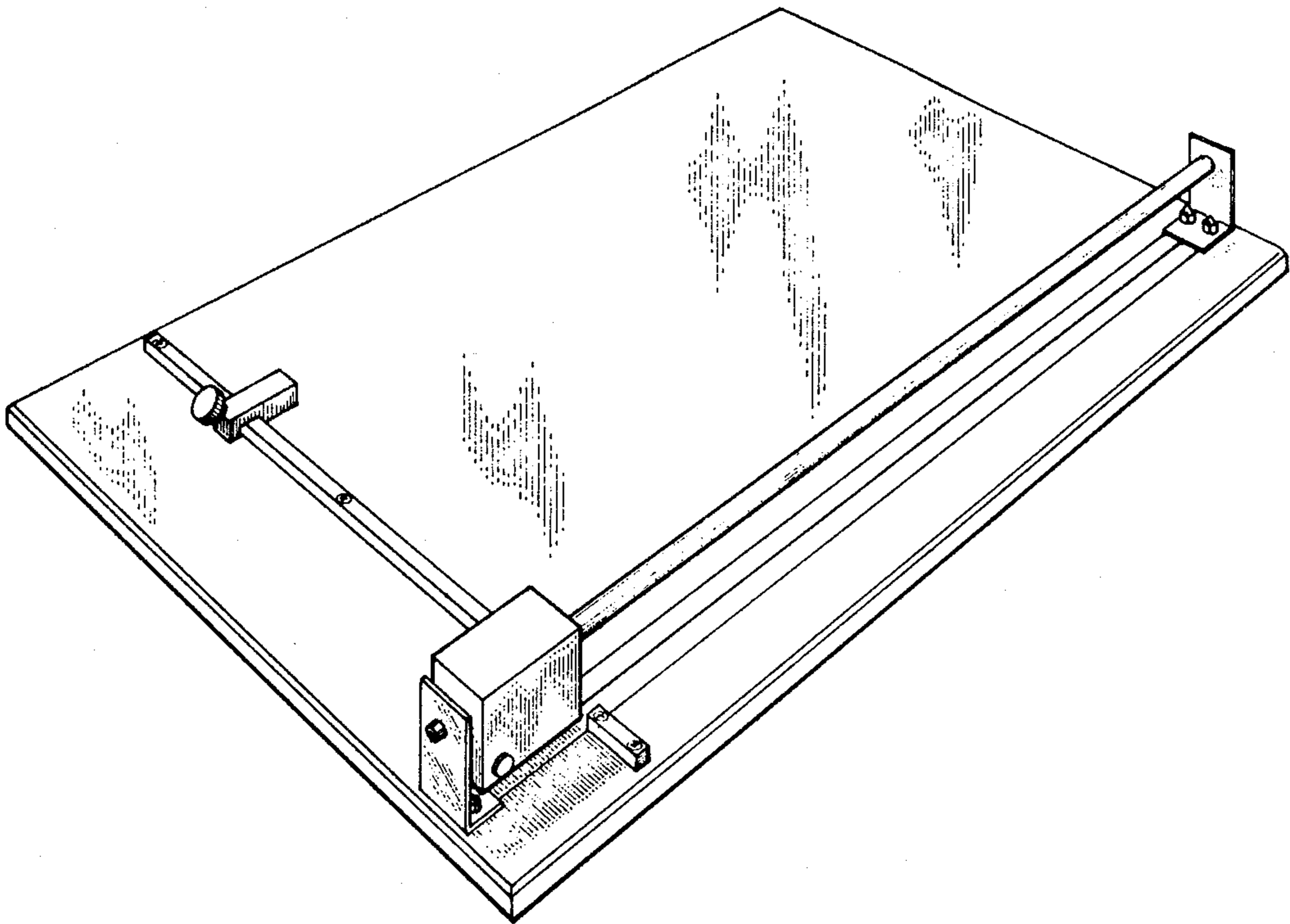


FIG. 3

