

[54] PRINTER

[76] Inventor: Masanori Hashimoto, c/o Kamiike  
5-ryo 22-10 Kamiikedai 4-chome,  
Ohta-ku, Tokyo, Japan

[\*\*] Term: 14 Years

[21] Appl. No.: 376,120

[22] Filed: May 7, 1982

[30] Foreign Application Priority Data

Nov. 9, 1981 [JP] Japan ..... 56/49707

[52] U.S. Cl. .... D14/111

[58] Field of Search ..... D14/100-117;  
D18/13; 400/691, 693

[56] References Cited

PUBLICATIONS

Computer Design, 5-1978, p. 105, Qume printer.

Datamation, 8-1981, p. 107, Toshiba word processor printer.

MI<sup>2</sup> Corporation Design 2400 Matrix Printer, ©2-1978, p. 1, printer.

Primary Examiner—Susan J. Lucas  
Attorney, Agent, or Firm—Guy W. Shoup

[57] CLAIM

The ornamental design for a printer, as shown and described.

DESCRIPTION

FIG. 1 is a front, top and left side perspective view of a printer, showing my new design;  
FIG. 2 is a top plan view thereof;  
FIG. 3 is a front elevational view thereof;  
FIG. 4 is a right side elevational view thereof;  
FIG. 5 is a left side elevational view thereof;  
FIG. 6 is a rear elevational view thereof; and  
FIG. 7 is a bottom view thereof.

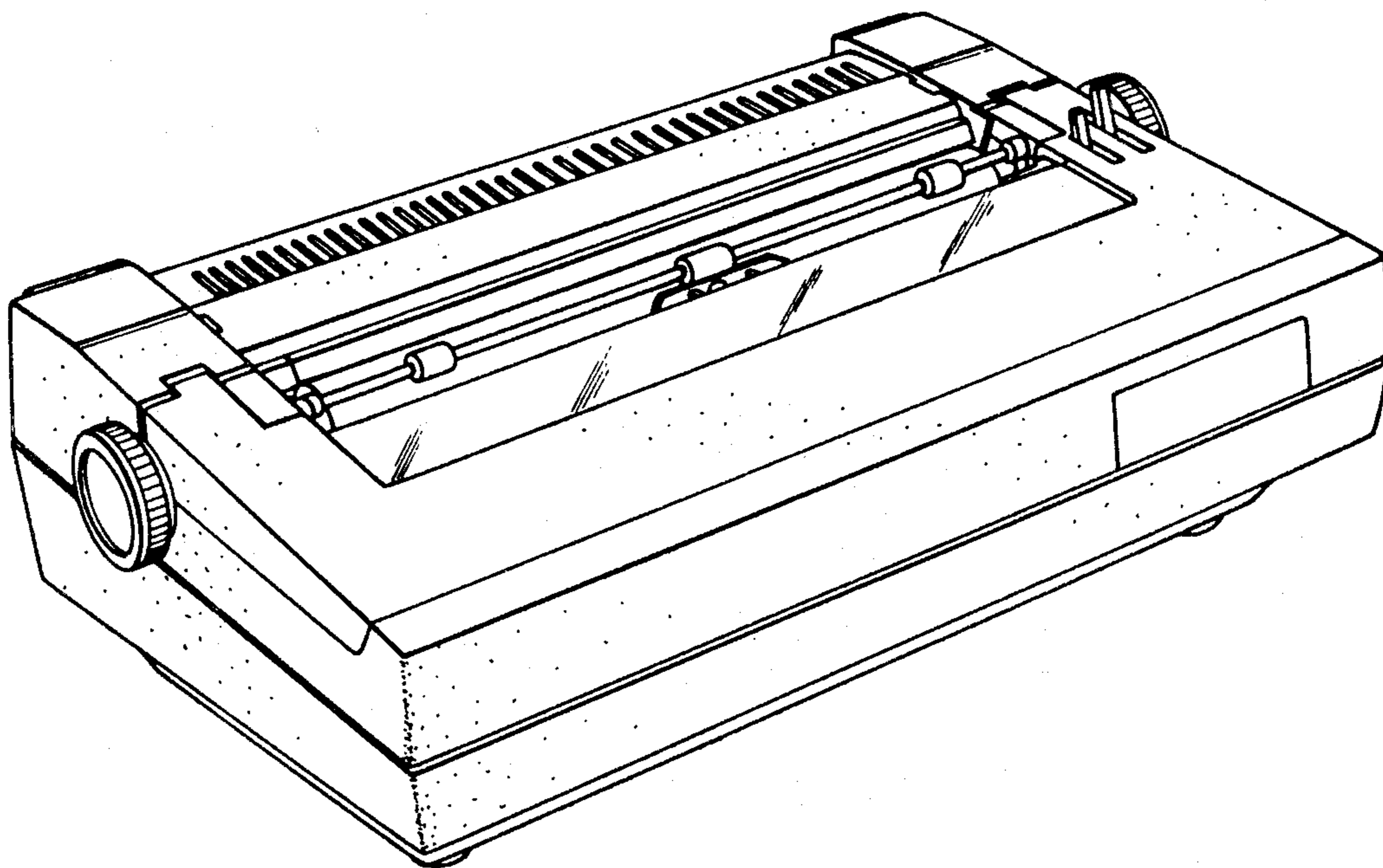


FIG. 1

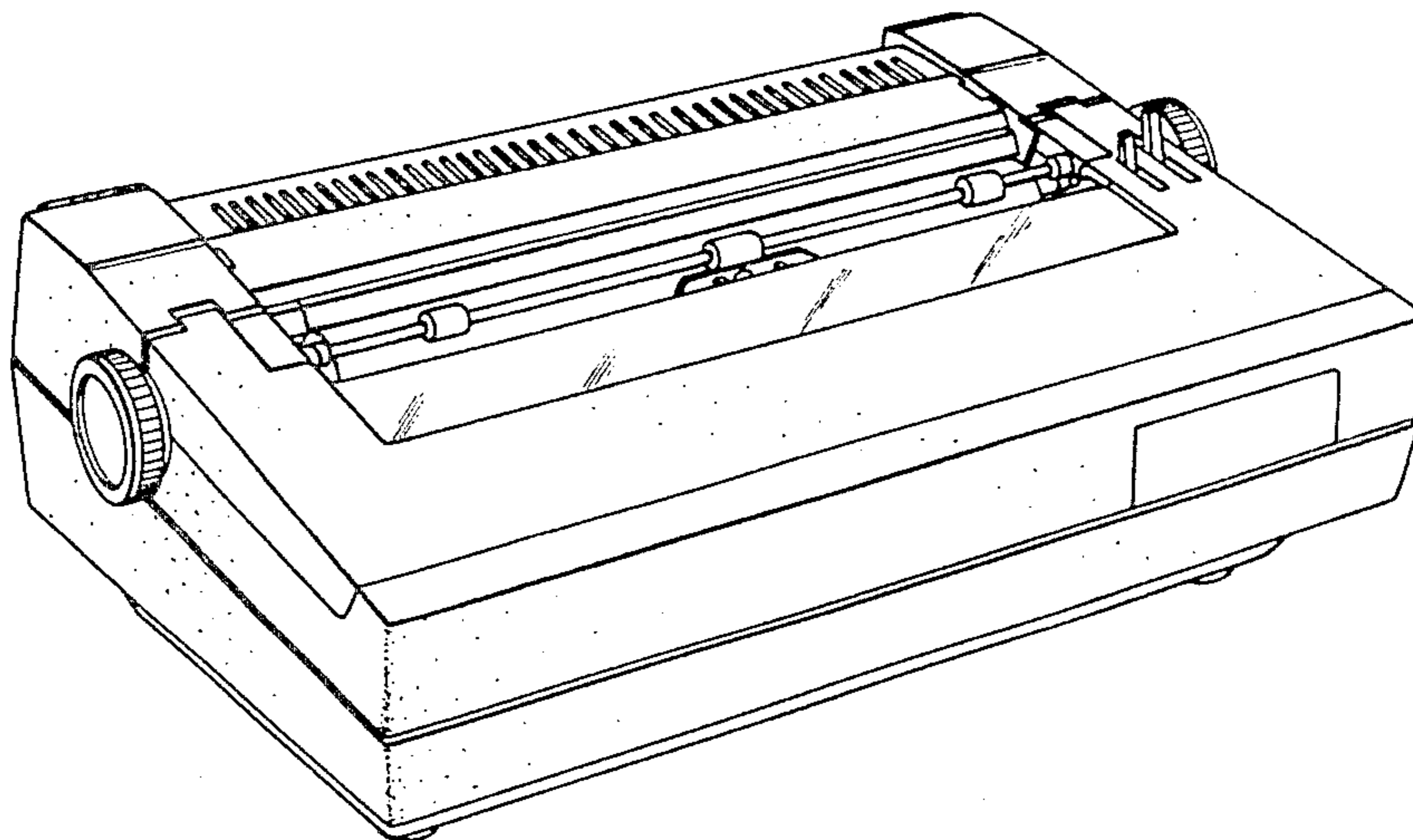


FIG. 2

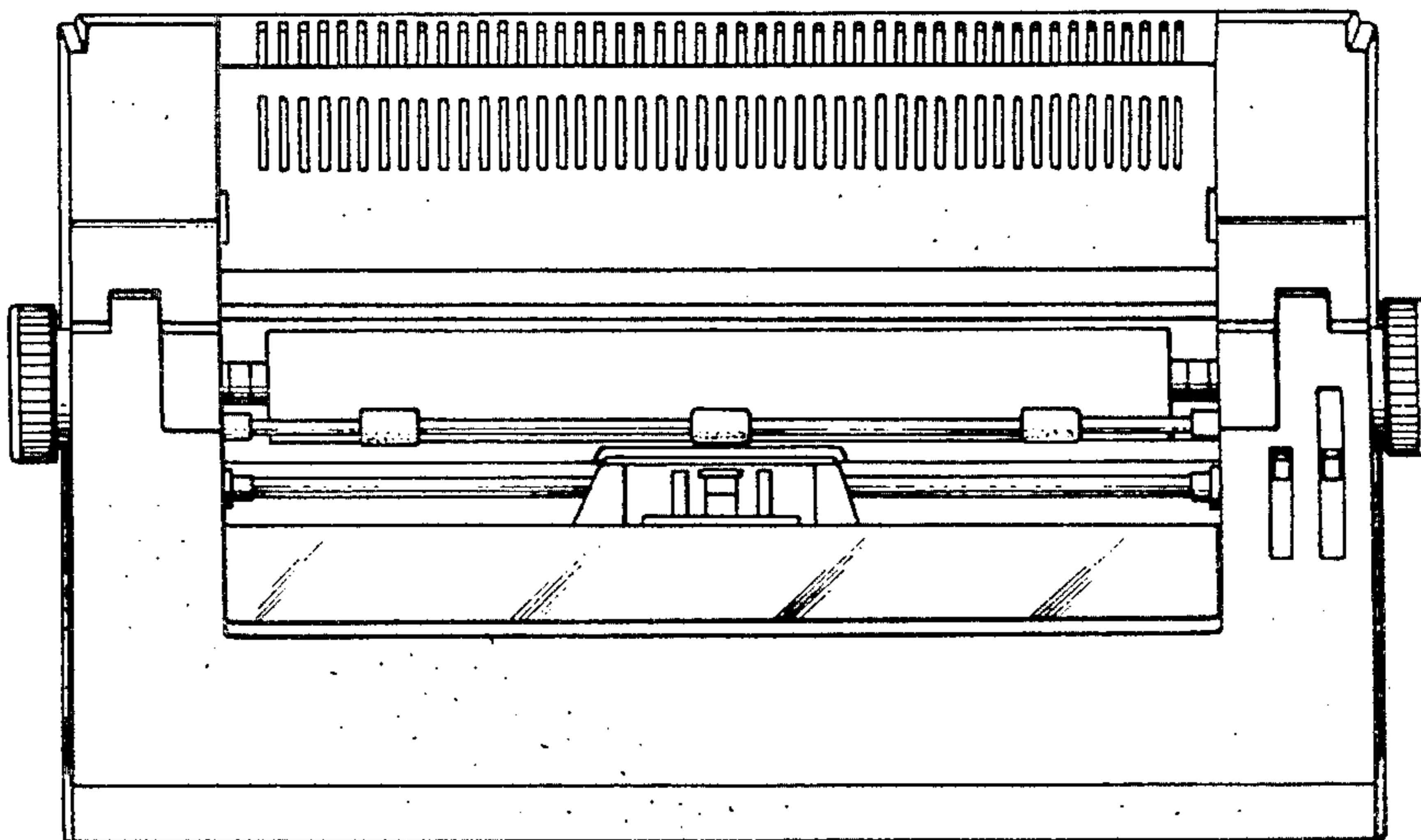


FIG. 3

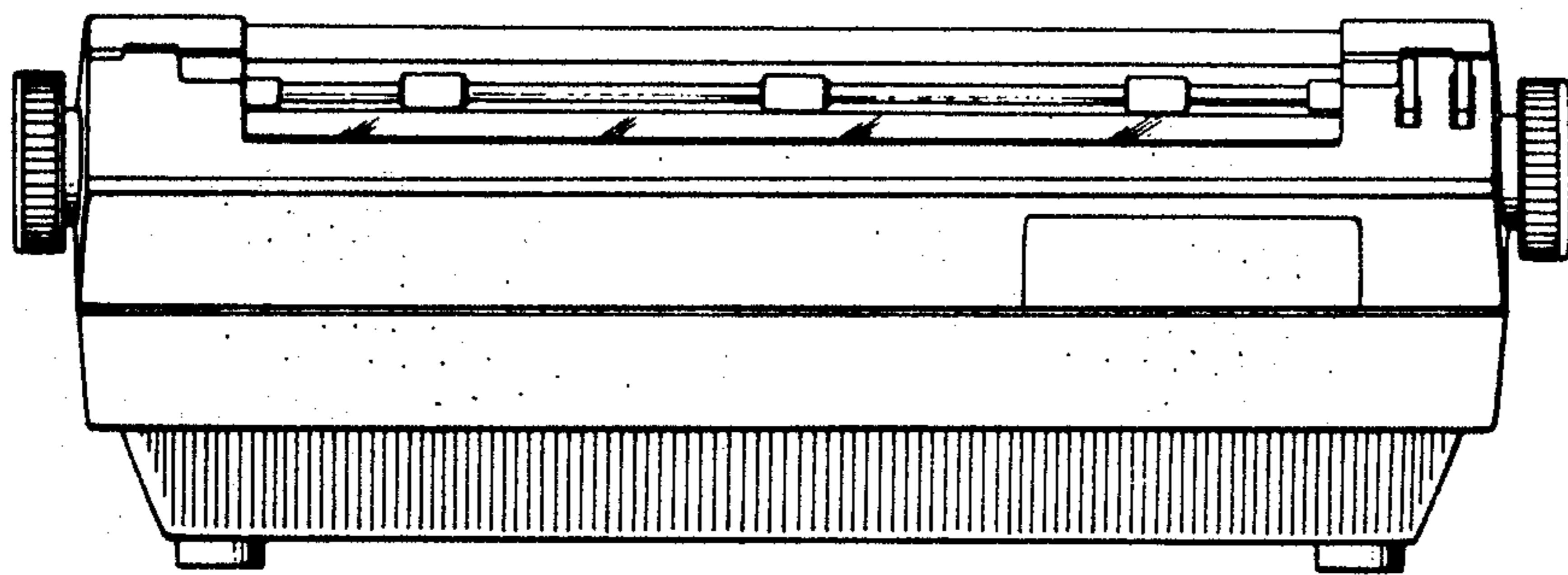


FIG. 4

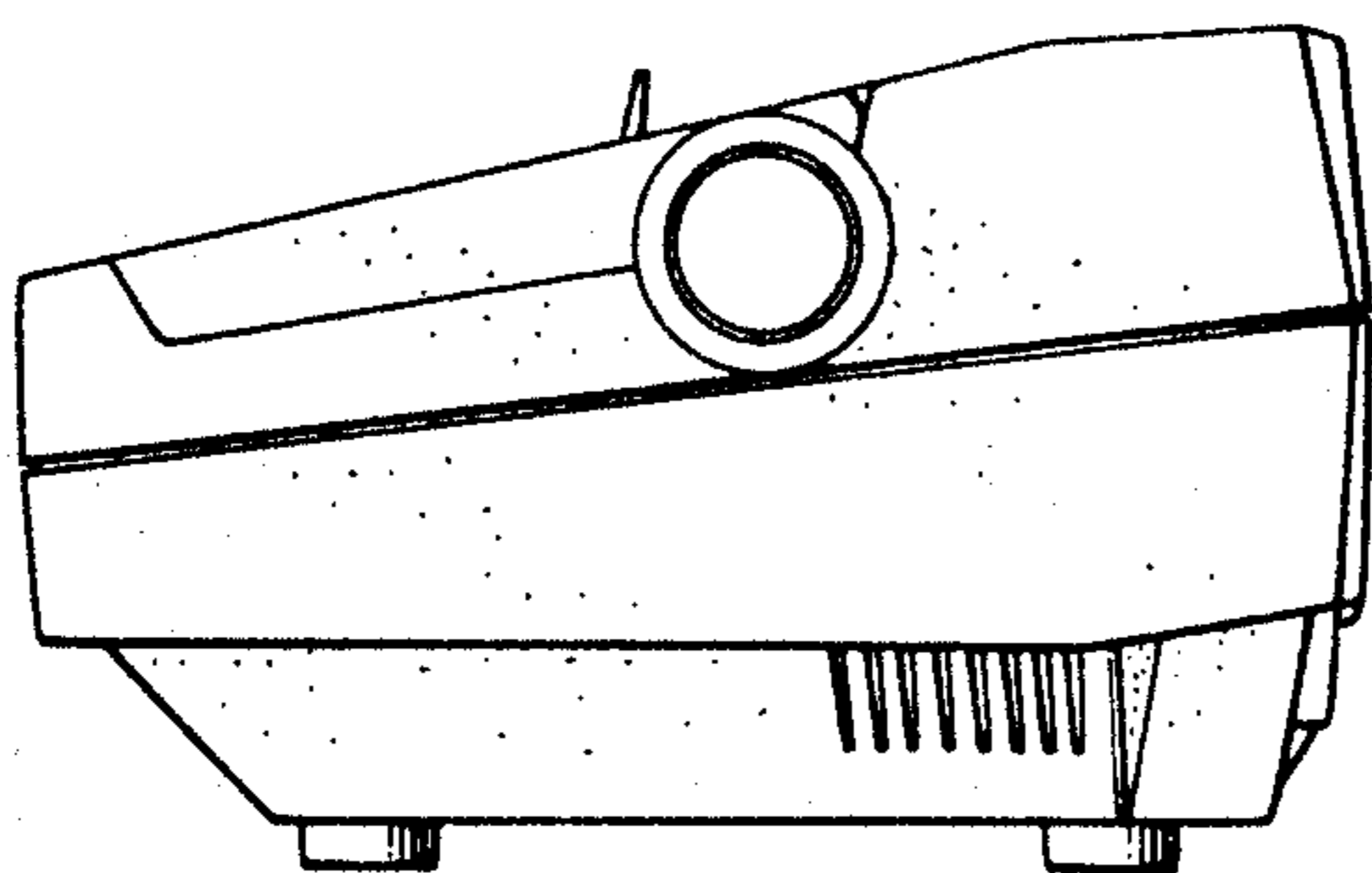


FIG. 5

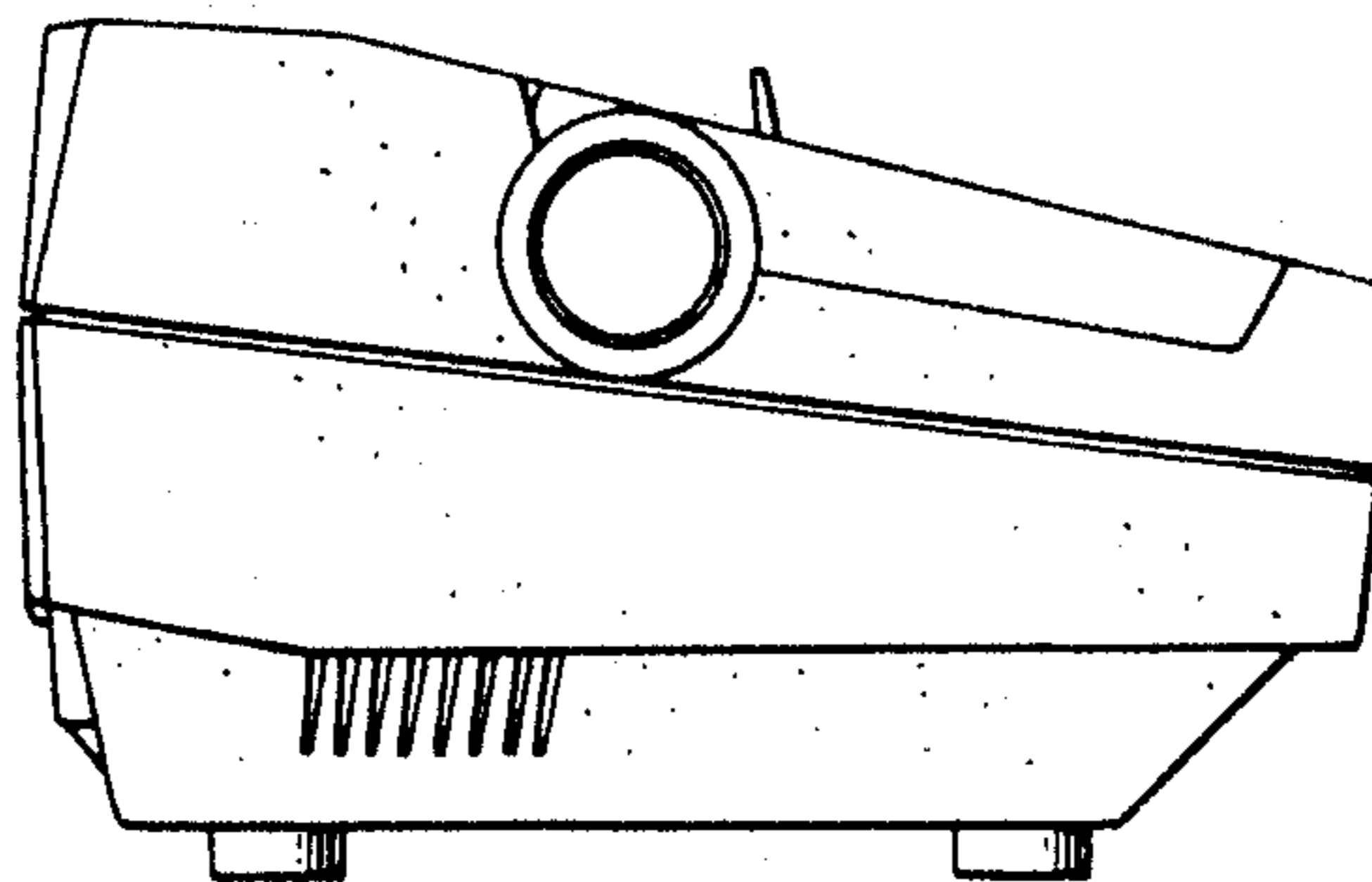


FIG. 6

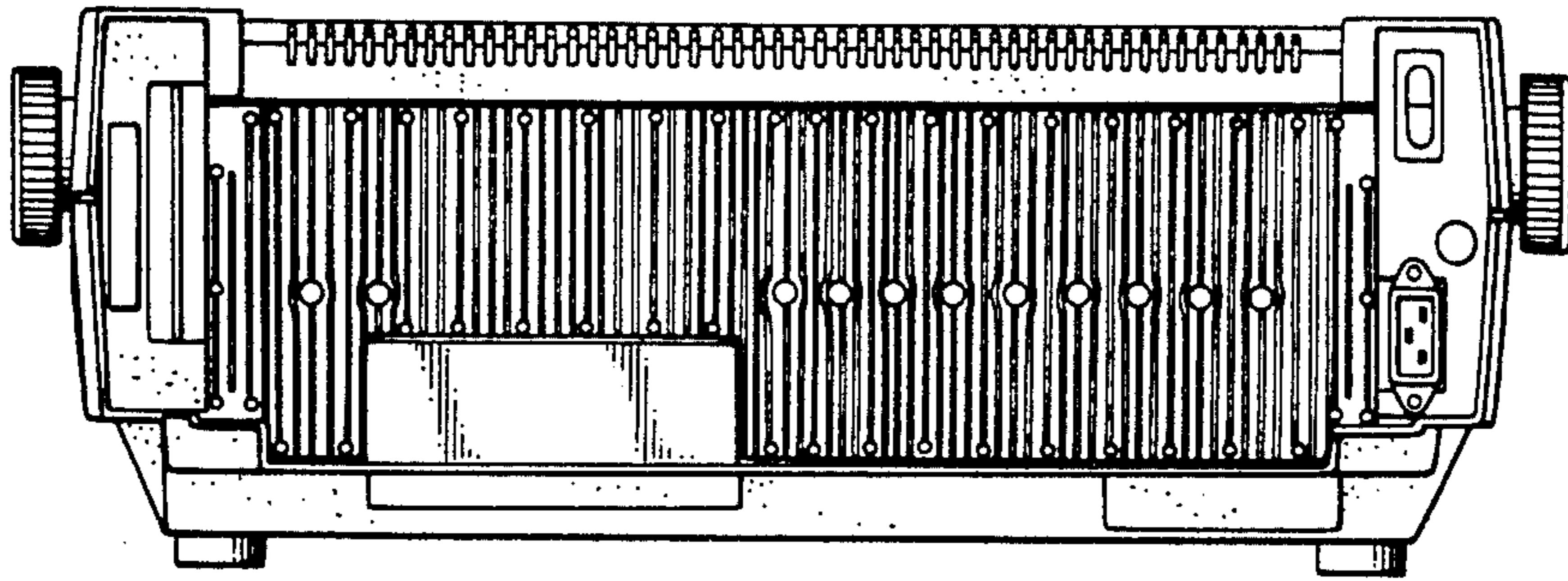


FIG. 7

