

[54] TAPE DECK TOP AND CARRYING CASE
BASE FOR A TAPE RECORDER

3,810,242 5/1974 Ikeda 360/96.1 X
3,823,945 7/1974 Milligan 360/96.1
4,232,350 11/1980 Ohta 242/199 X

[75] Inventors: Frank Dekker, Santa Ana; Isaac R.
Cherry, Mission Viejo, both of Calif.

Primary Examiner—Jane E. Corrigan
Attorney, Agent, or Firm—Beehler, Pavitt, Siegemund,
Jagger & Martella

[73] Assignee: Del Mar Avionics, Irvine, Calif.

[**] Term: 14 Years

[57] CLAIM

[21] Appl. No.: 197,926

The ornamental design for a tape deck top and carrying
case base for a tape recorder, as shown and described in
the accompanying drawings.

[22] Filed: Oct. 17, 1980

[52] U.S. Cl. D14/10

DESCRIPTION

[58] Field of Search 360/96.1; 242/198-200,
242/201-204; D14/1-3, 5-7, 10

FIG. 1 is a rear, top and right side perspective of a tape
recorder, tape deck and carrying case, showing our new
design;

[56] References Cited

U.S. PATENT DOCUMENTS

3,638,880 2/1972 Hollingsworth 242/200 X

FIG. 2 is a front elevational view thereof;

FIG. 3 is a left side elevational view thereof; and

FIG. 4 is a bottom plan view thereof.

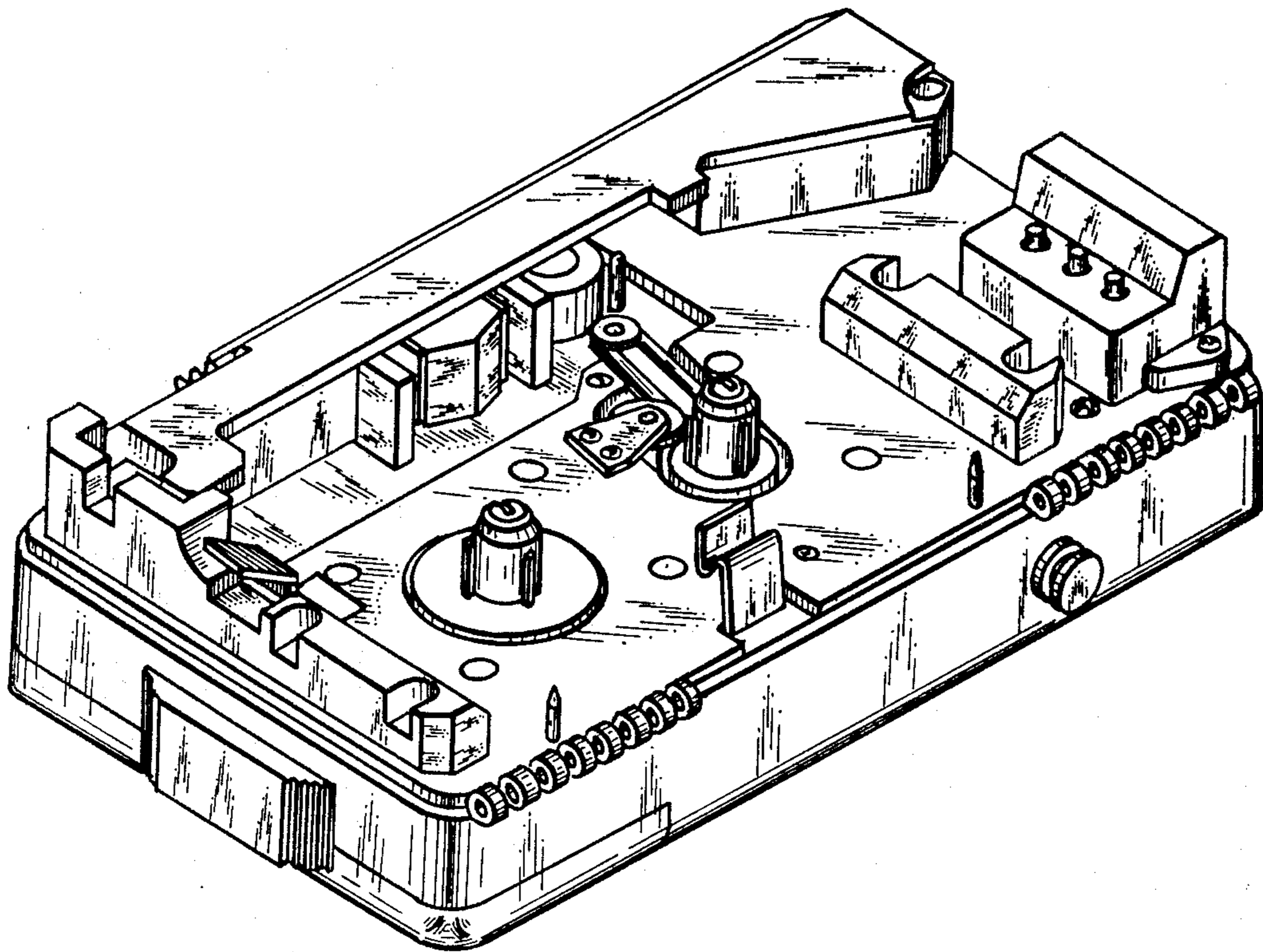


FIG. 1

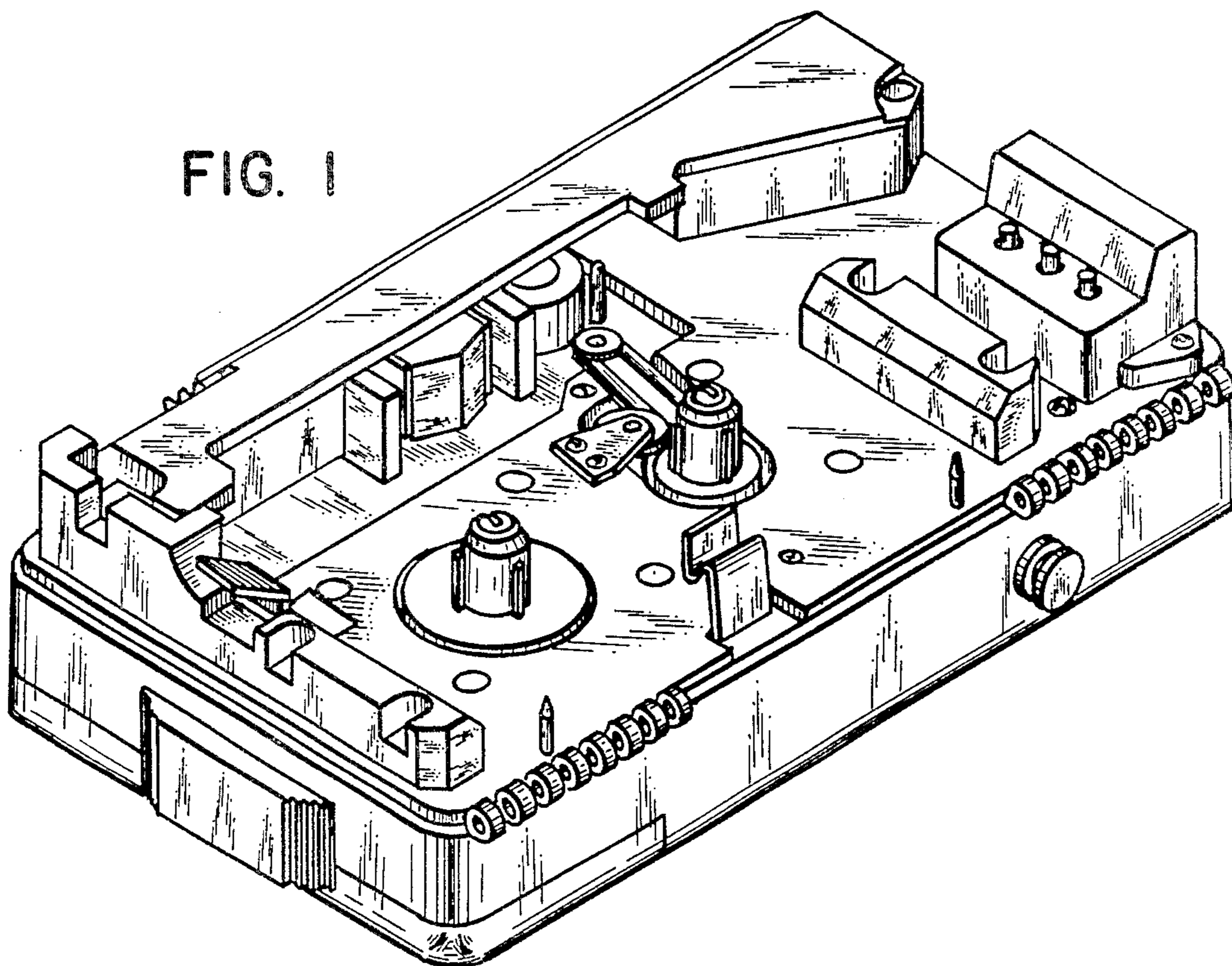


FIG. 2

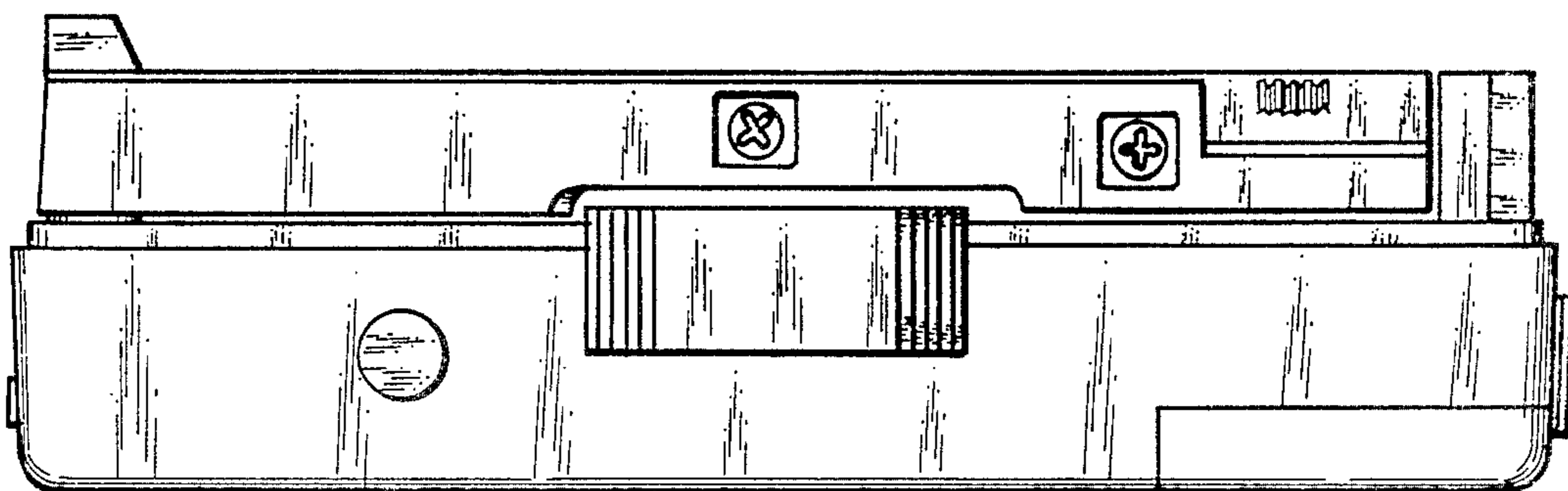


FIG. 3

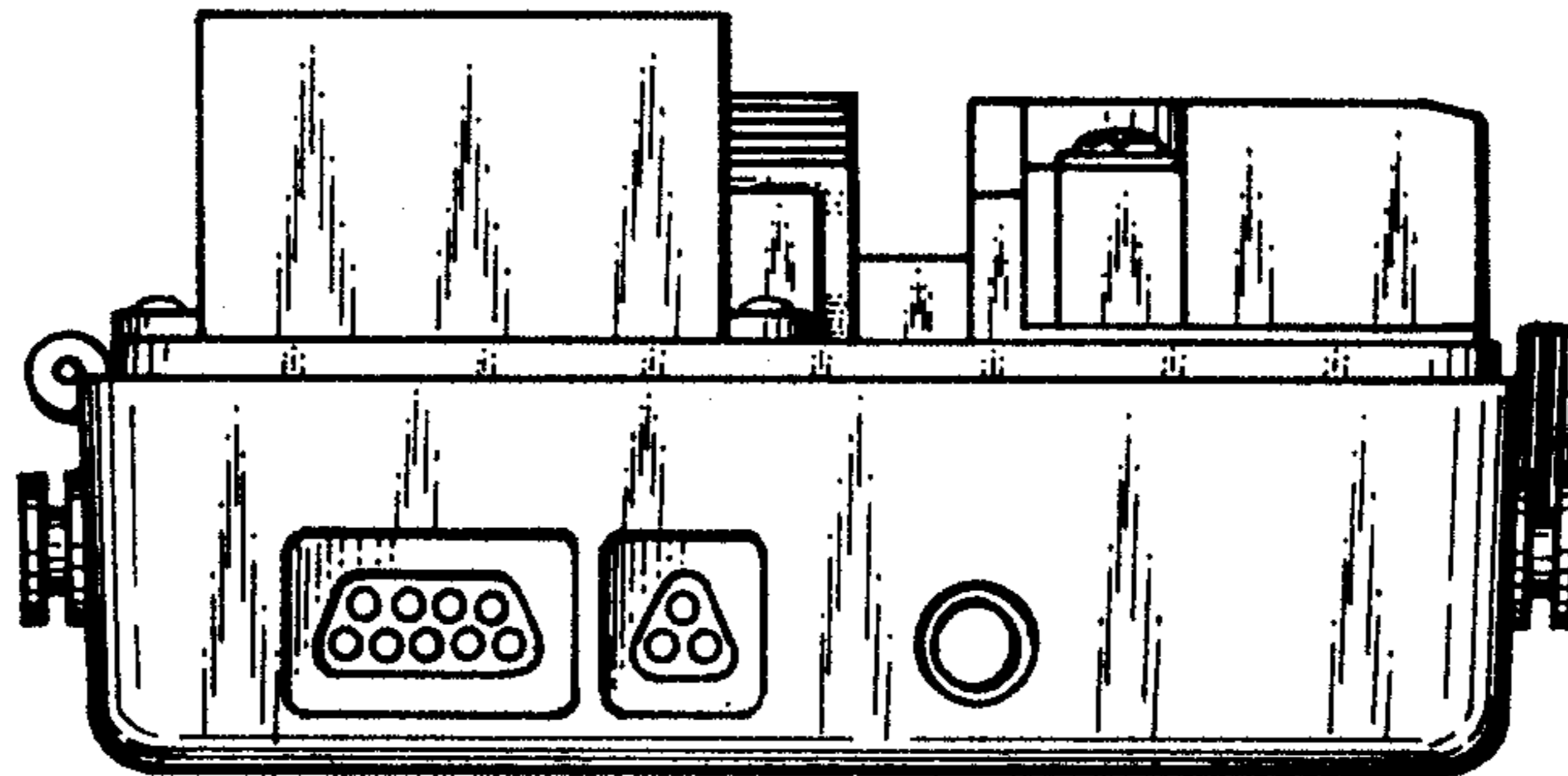


FIG. 4

