

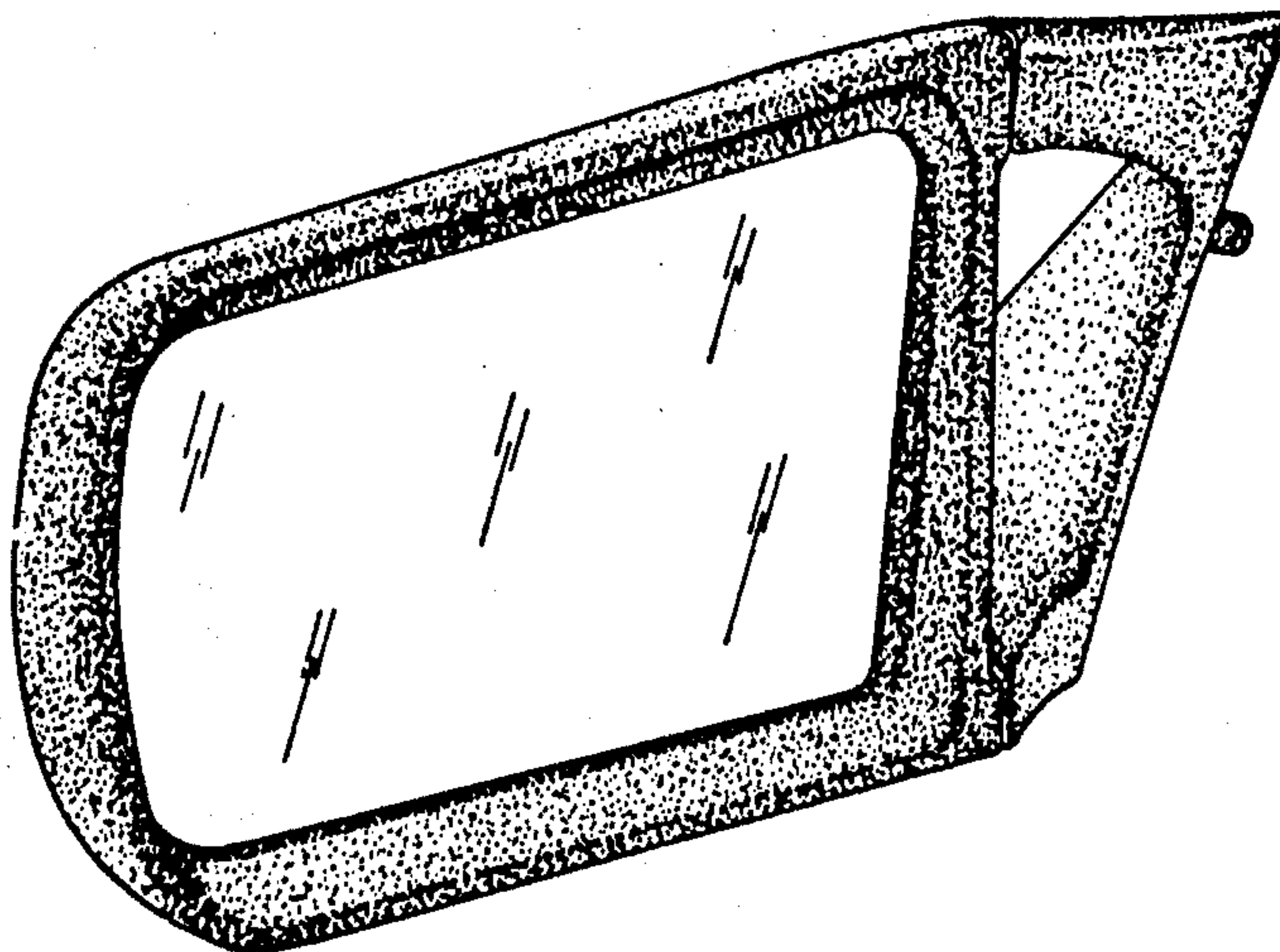
- [54] **SIDE VIEW MIRROR FOR AN AUTOMOBILE**
- [75] **Inventors: Björn E. A. Envall, Vänersborg; Aribert Vahlenbreder, Trollhättan, both of Sweden**
- [73] **Assignee: Saab-Scania Aktiebolag, Trollhättan, Sweden**
- [**] **Term: 14 Years**
- [21] **Appl. No.: 441,552**
- [22] **Filed: Nov. 15, 1982**
- [30] **Foreign Application Priority Data**
 Jun. 2, 1982 [SE] Sweden 82-1449
- [52] **U.S. Cl. D12/187**
- [58] **Field of Search D12/187; 350/303, 304, 350/307, 288**

- [56] **References Cited**
U.S. PATENT DOCUMENTS
 D. 272,616 2/1984 Luthe et al. D12/187
- FOREIGN PATENT DOCUMENTS**
 2829492 7/1978 Netherlands 350/307
 2071035 9/1981 United Kingdom 350/307

Primary Examiner—James M. Gandy
Attorney, Agent, or Firm—Young & Thompson

[57] **CLAIM**
 The ornamental design for a side view mirror for an automobile, as shown.

DESCRIPTION
 FIG. 1 is a rear perspective view of a side view mirror for an automobile, showing our new design;
 FIG. 2 is a front perspective view thereof; and
 FIG. 3 is a top plan view thereof.



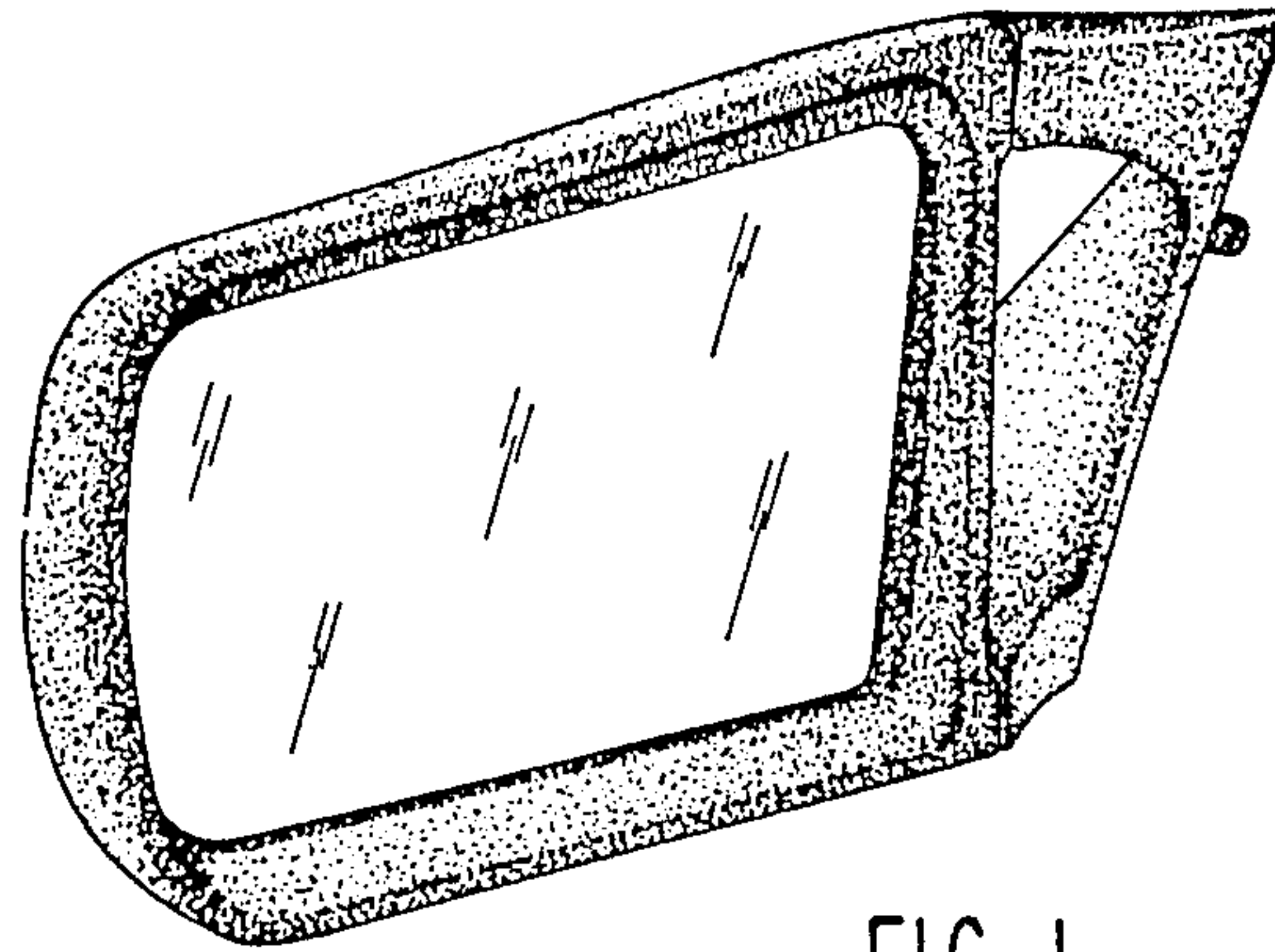


FIG. 1

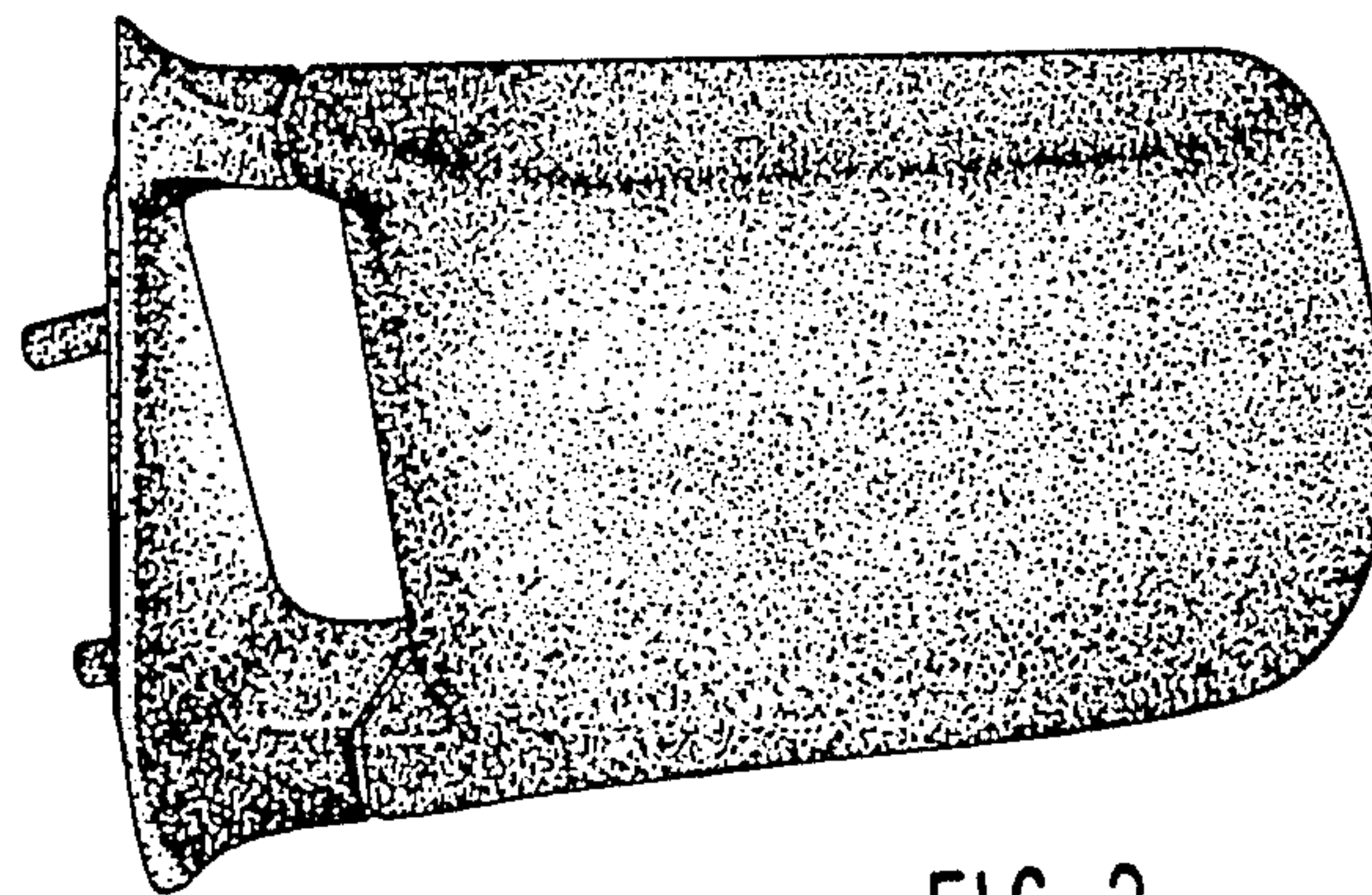


FIG. 2

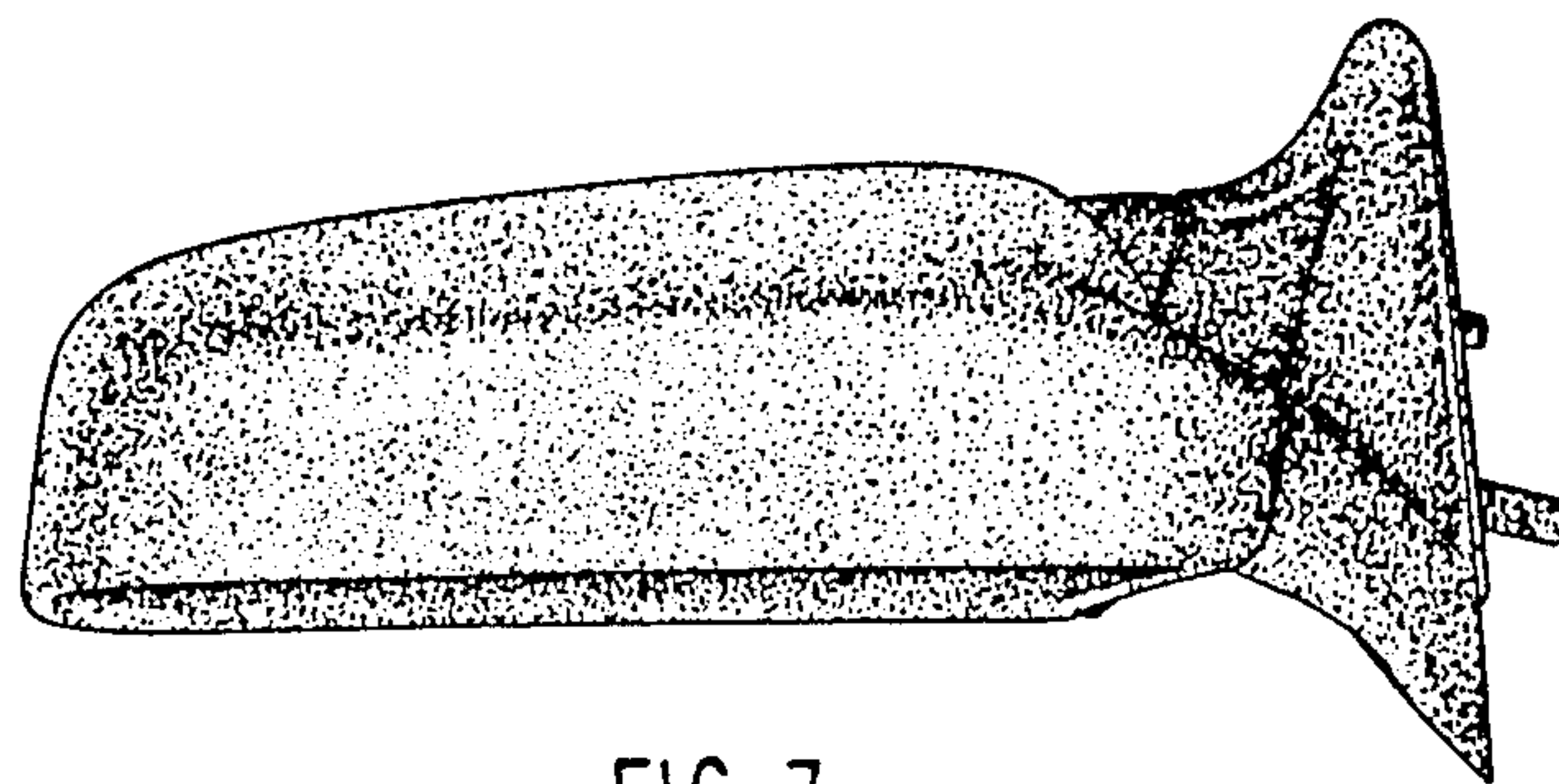


FIG. 3