

[54] BICYCLE

[75] Inventors: Niels Gammelgaard, Copenhagen;
Lars Mathiesen, Valby, both of
Denmark

[73] Assignee: RABO Aps, Copenhagen, Denmark

[**] Term: 14 Years

[21] Appl. No.: 413,819

[22] Filed: Sep. 1, 1982

[52] U.S. Cl. D12/111

[58] Field of Search D12/111; D21/81;
280/205, 281 R, 281 W, 2.15

[56] References Cited

U.S. PATENT DOCUMENTS

- D. 55,036 5/1920 Greenfield D21/81
- D. 85,327 10/1931 De Riz D12/111

1,434,701 11/1922 Hudry 280/7.15

FOREIGN PATENT DOCUMENTS

- 640976 4/1928 France 280/281 R
- 68282 9/1944 Norway 280/281 W

Primary Examiner—James M. Gandy
Attorney, Agent, or Firm—Finnegan, Henderson,
Farabow, Garrett & Dunner

[57] CLAIM

The ornamental design for a bicycle, substantially as shown and described.

DESCRIPTION

FIG. 1 is a left side elevation view of a bicycle showing our new design;
FIG. 2 is a front elevation view thereof;
FIG. 3 is a rear elevation view thereof;
FIG. 4 is a top plan view thereof; and
FIG. 5 is a bottom plan view thereof.

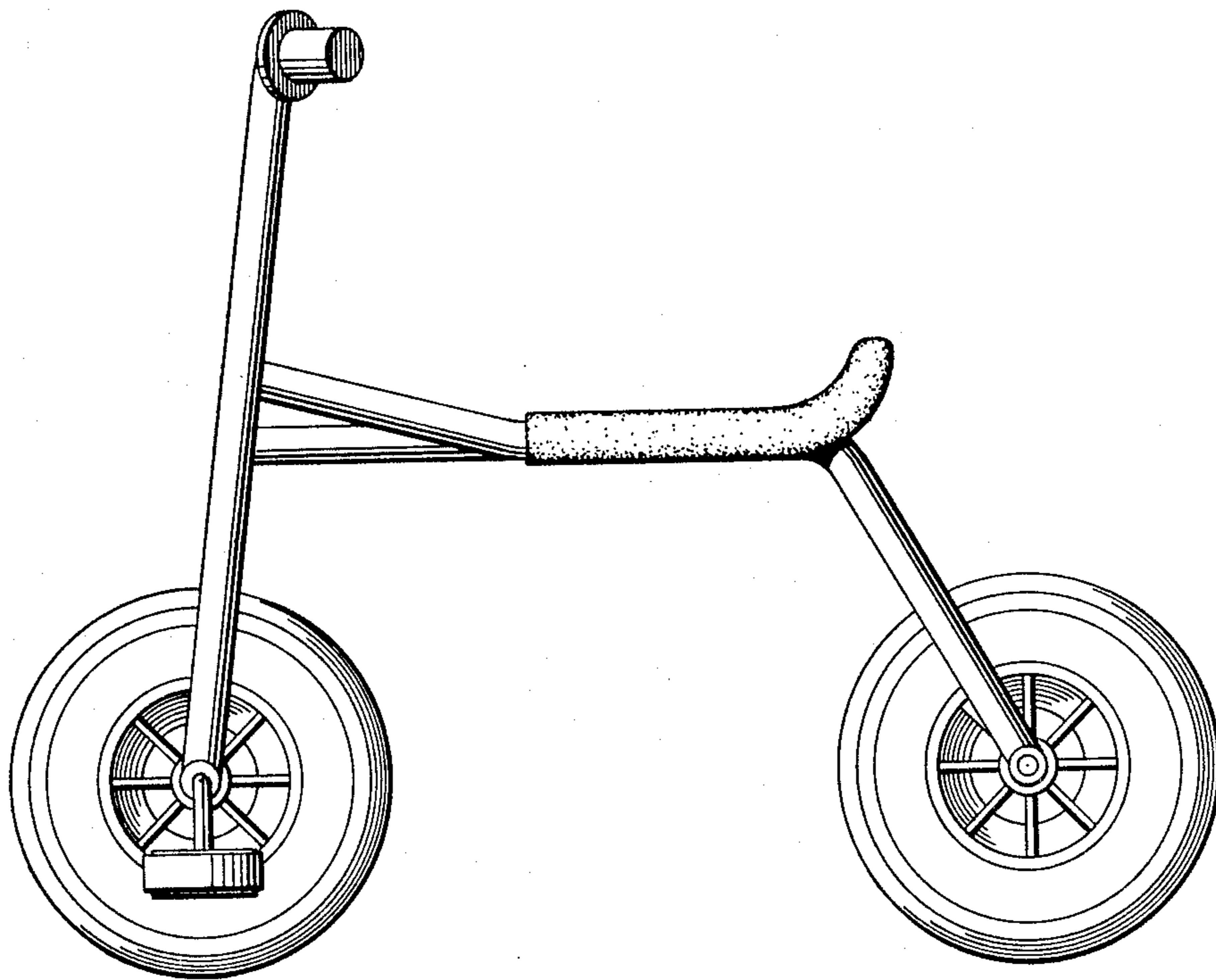


Fig. 1

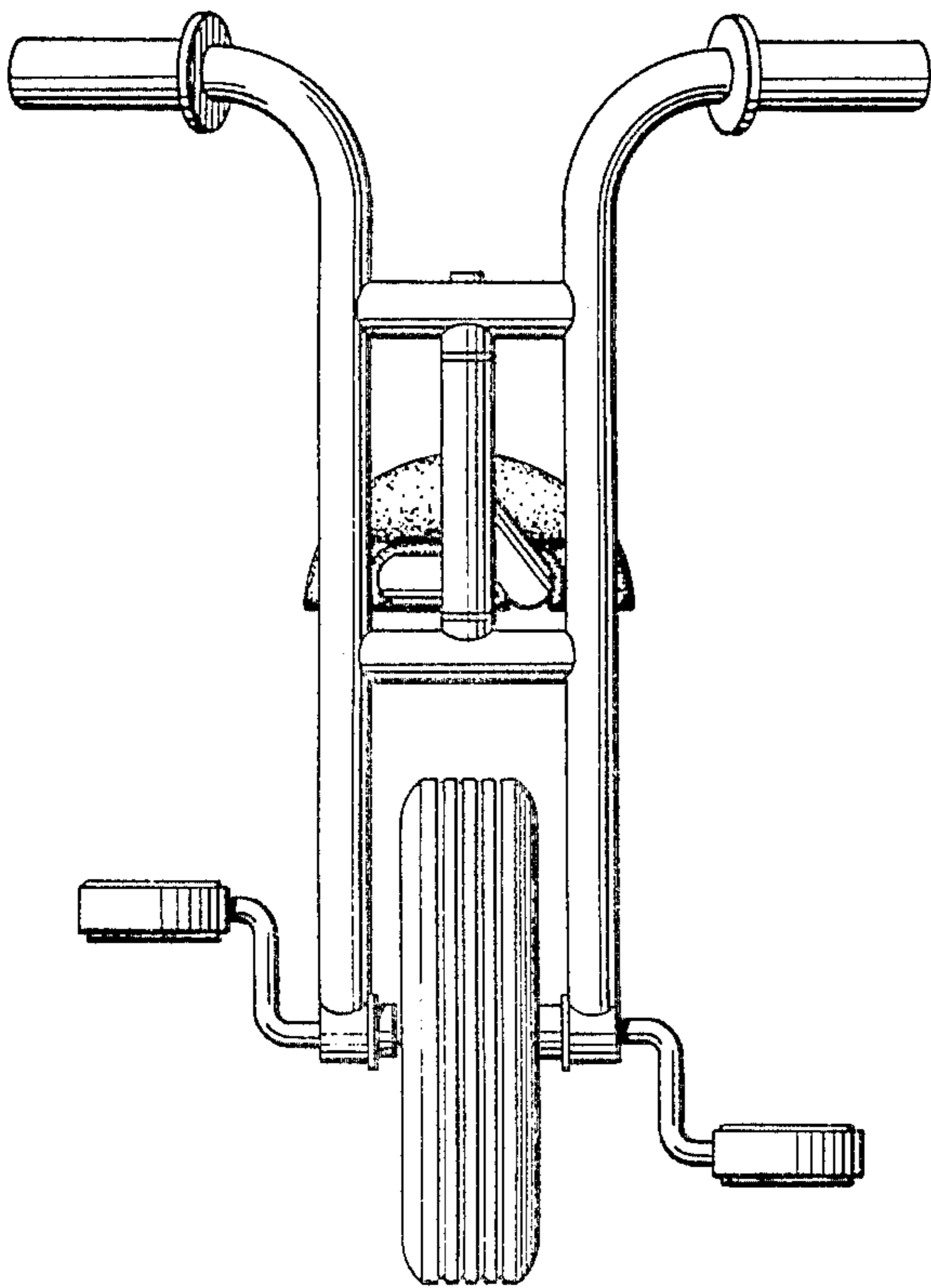
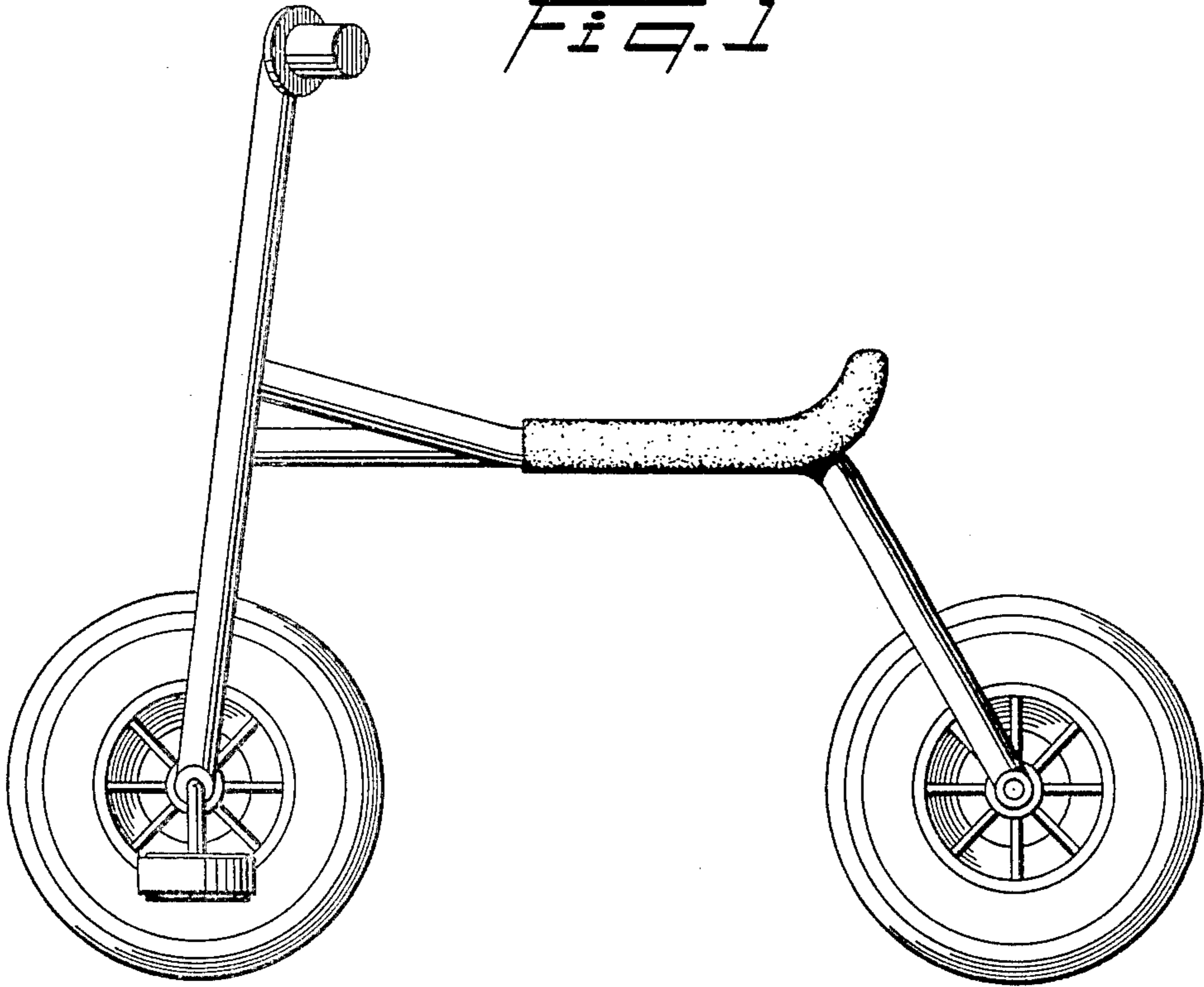


Fig. 2

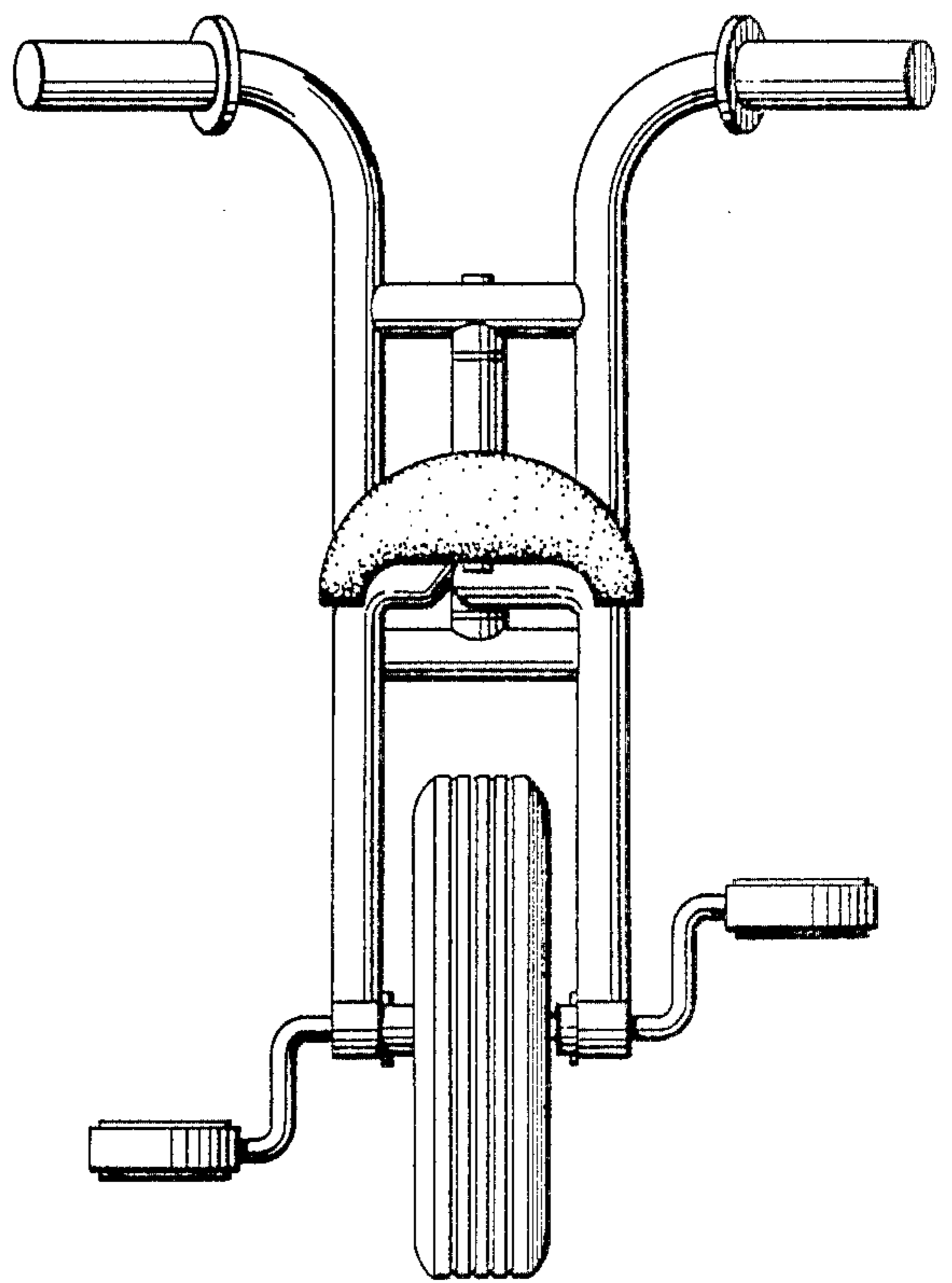


Fig. 3

FIG. 4

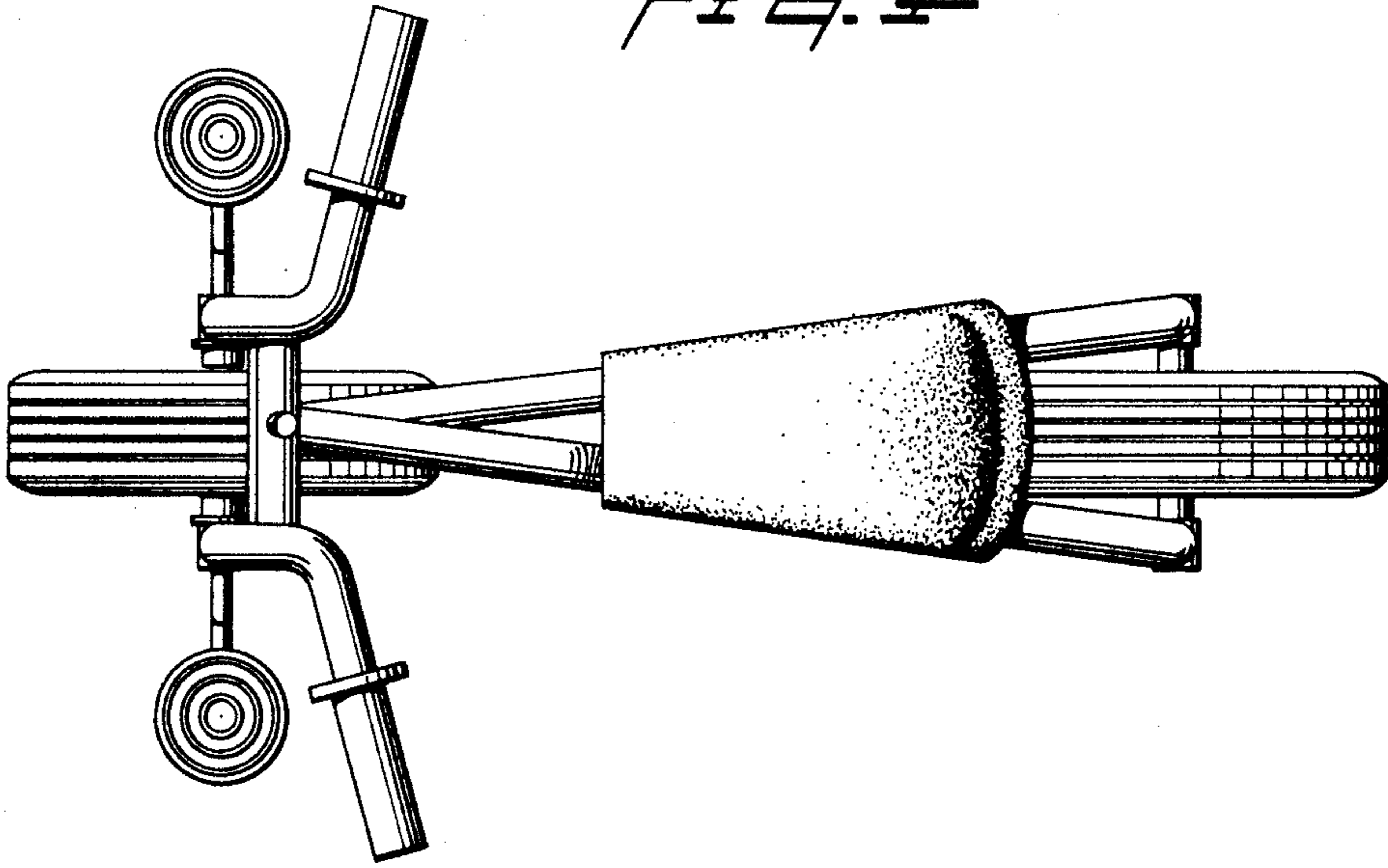


FIG. 5

