

[54] DRAINAGE SUPPORT FOR PLANTS

[76] Inventors: Richard Kole; Joann Kole, both of 3353 Woodland Dr., Murrysville, Pa. 15668; Lawrence Schlander, 268 Russeltown Rd., Cheswick, Pa. 15204

[**] Term: 14 Years

[21] Appl. No.: 276,927

[22] Filed: Jun. 24, 1981

[52] U.S. Cl. D11/164

[58] Field of Search D11/143, 152-154, D11/164; 47/66, 70, 67, 71

[56] References Cited

U.S. PATENT DOCUMENTS

1,534,508 4/1925 Earp-Thomas 47/66
4,173,098 11/1979 Smith 47/70

FOREIGN PATENT DOCUMENTS

0225417 6/1909 Fed. Rep. of Germany 47/66
10333946 7/1958 Fed. Rep. of Germany 47/66

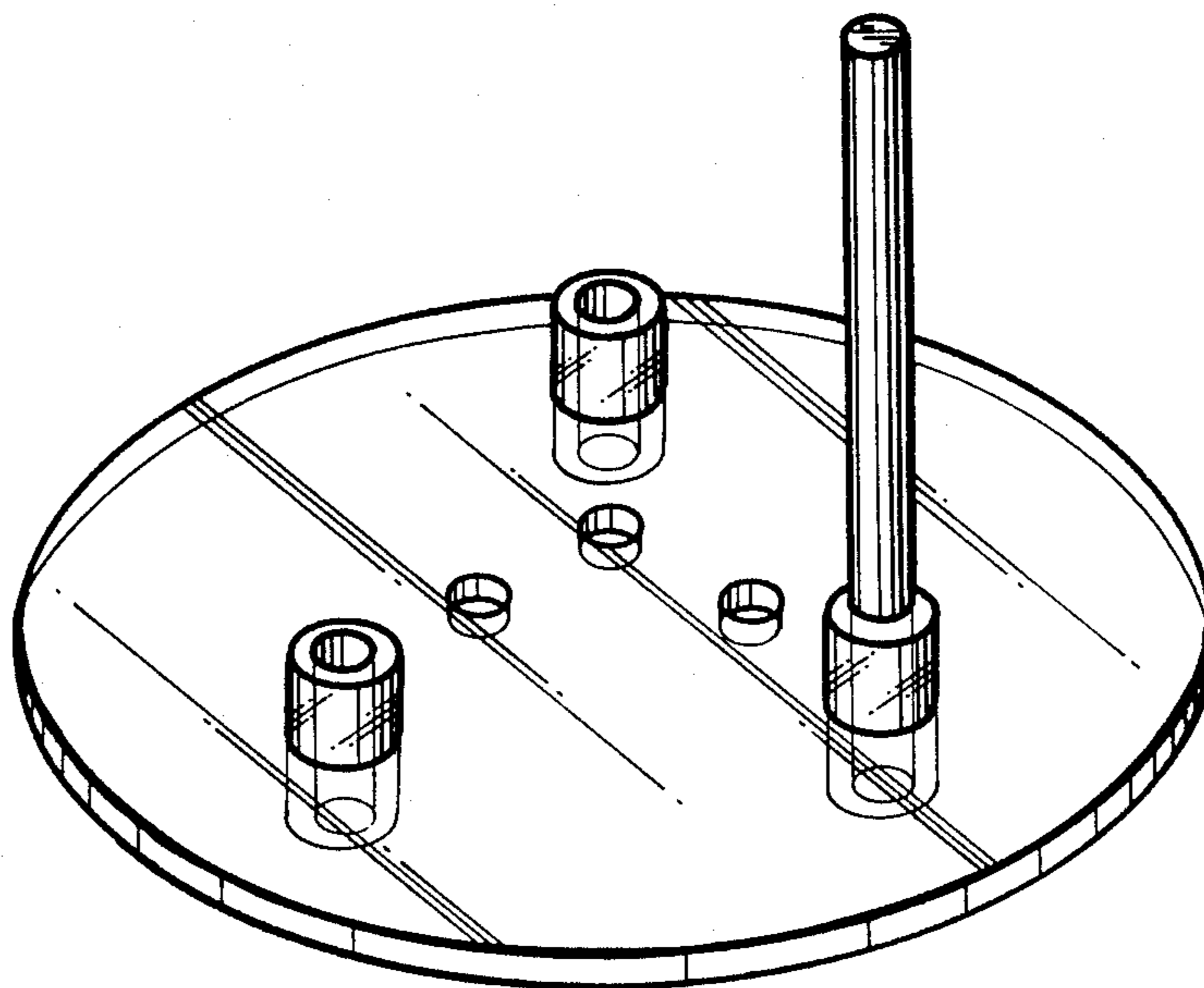
Primary Examiner—B. J. Bullock
Attorney, Agent, or Firm—Webb, Burden, Robinson & Webb

[57] CLAIM

The ornamental design for a drainage support for plants, substantially as shown and described.

DESCRIPTION

FIG. 1 is a top plan view of a drainage support for plants showing our new design;
FIG. 2 is a side elevational view thereof;
FIG. 3 is a side elevational view of a second embodiment of the design of FIG. 1;
FIG. 4 is a reduced perspective view thereof.



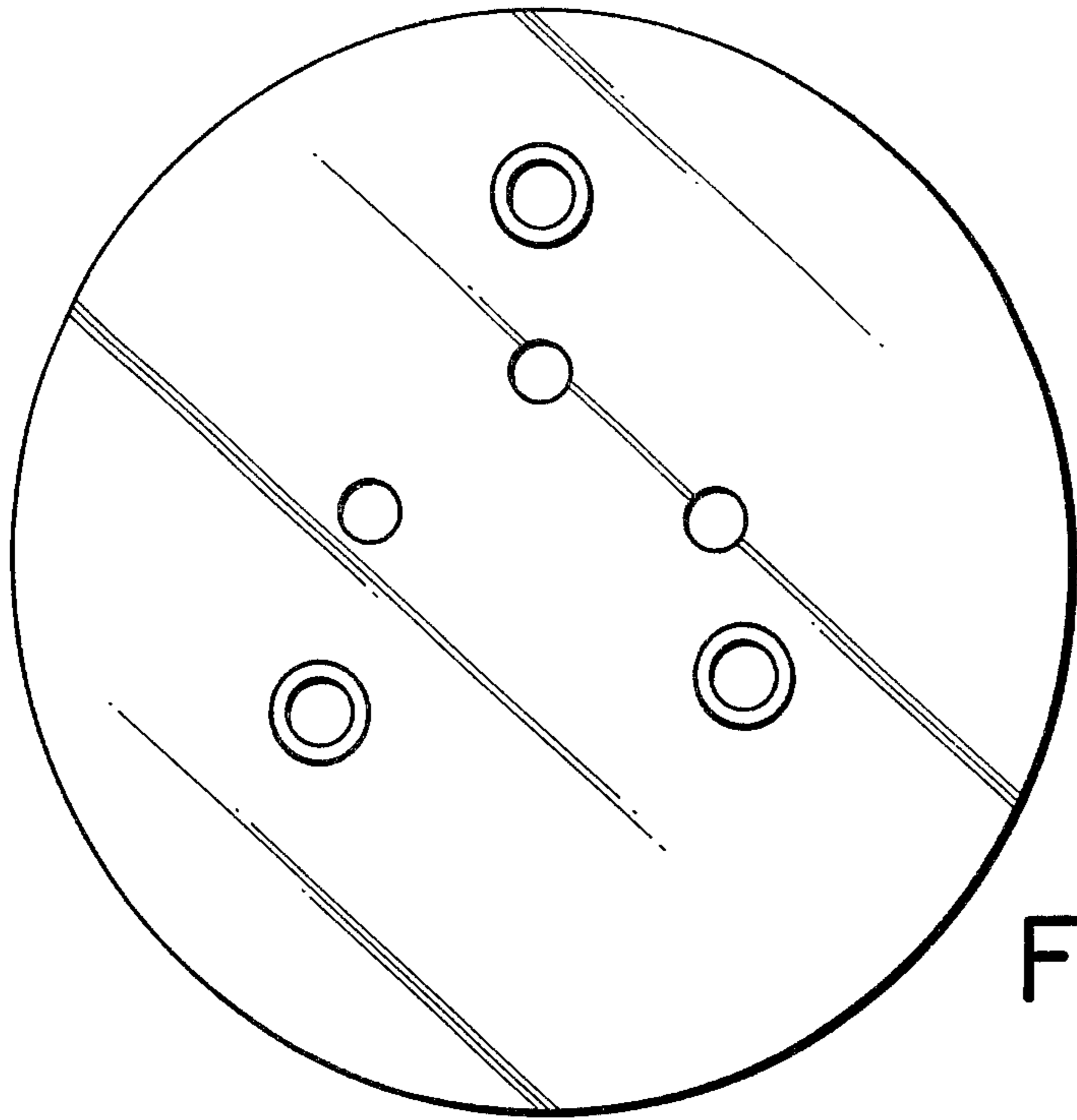


Fig. 1

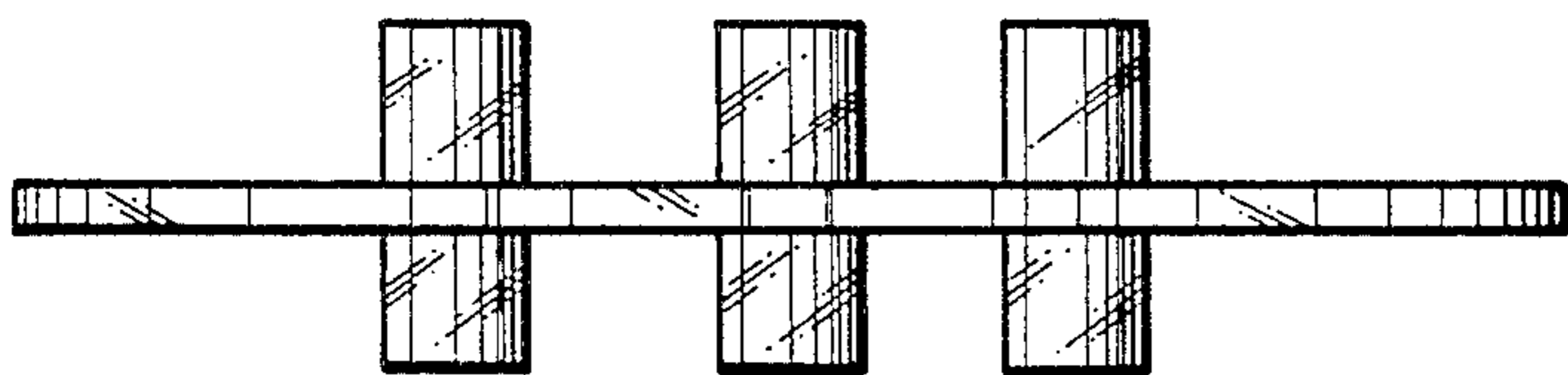


Fig. 2

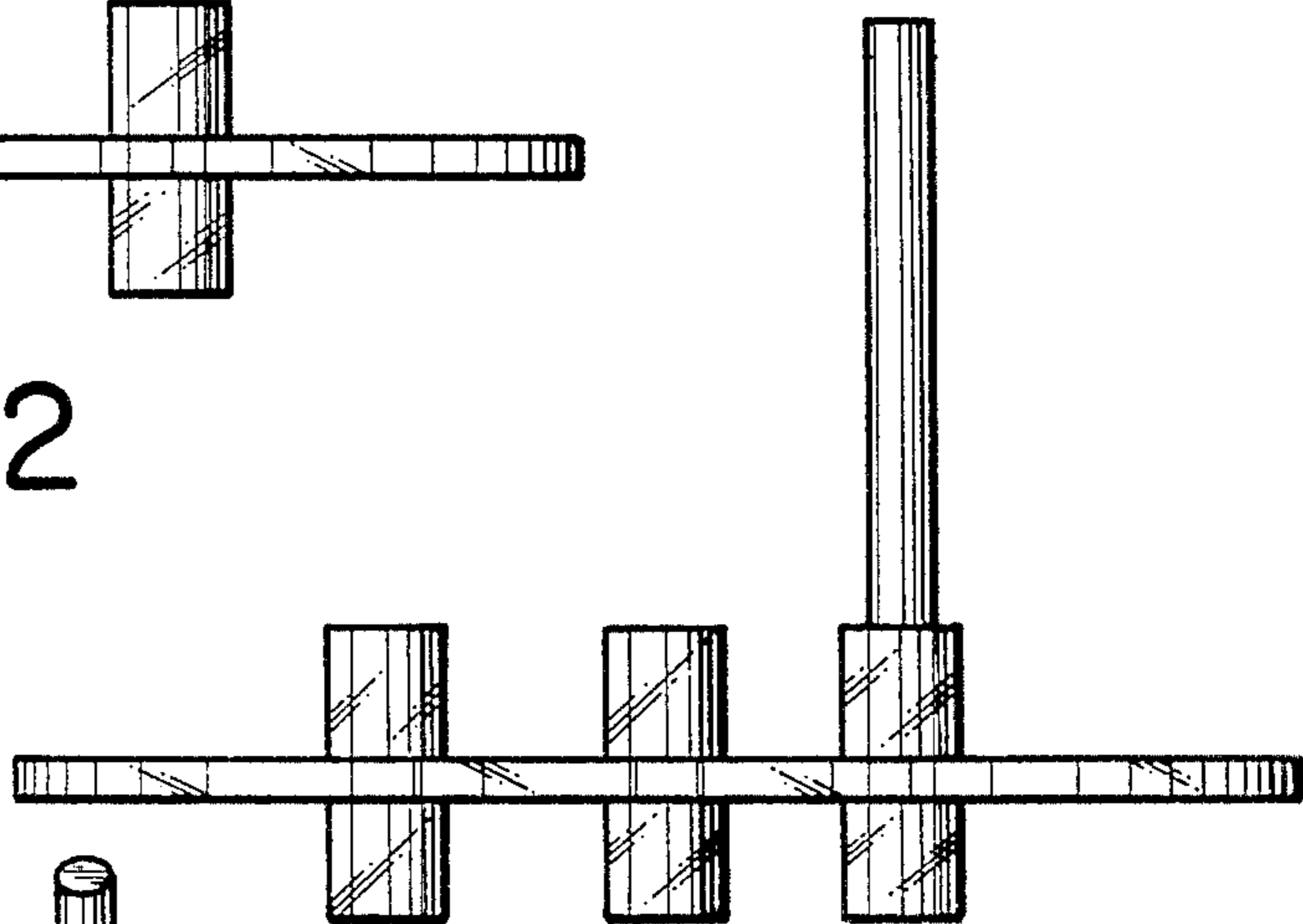


Fig. 3

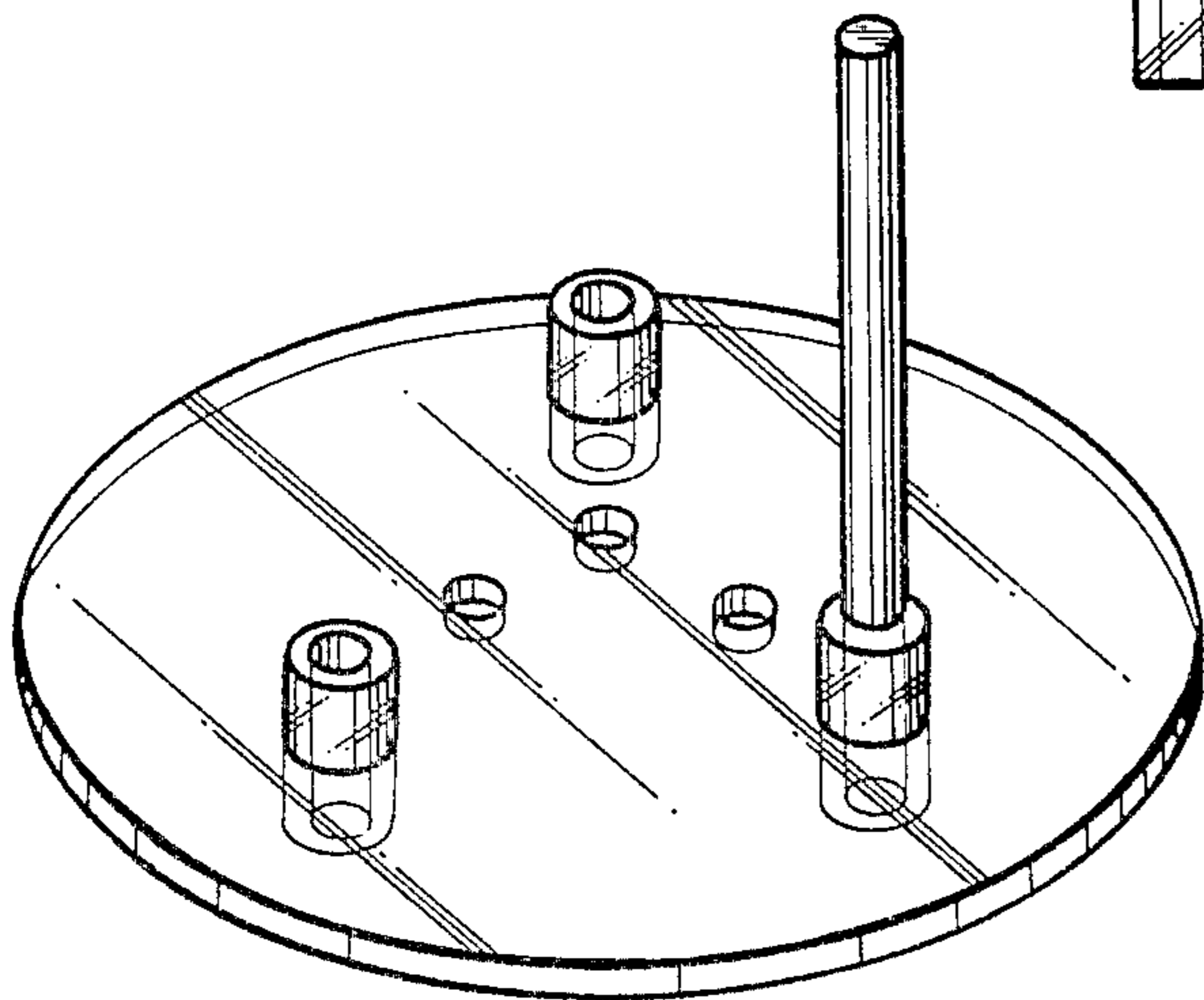


Fig. 4