

[54] COUNTER

[75] Inventors: Nobuyasu Ito; Tadashi Fujino, both of Urawa; Tsutomu Kashiwagi, Tokyo, all of Japan

[73] Assignee: Dai-Ichi Seiko Co., Ltd., Kawaguchi, Japan

[**] Term: 14 Years

[21] Appl. No.: 373,242

[22] Filed: Apr. 29, 1982

[30] Foreign Application Priority Data

Oct. 30, 1981 [JP] Japan 56/48102

[52] U.S. Cl. D10/97

[58] Field of Search D10/97, 70; 33/129, 33/141; 235/95 R, 95 A, 95 B, 103, 96, 130 R, 144 R, 144 HC, 144 SM

[56]

References Cited

U.S. PATENT DOCUMENTS

D. 115,809	7/1939	Poole	D10/97
D. 168,000	10/1952	Rosenberg	D10/97
D. 199,692	12/1964	Stolarz	D10/97
D. 268,486	4/1983	Huret	D10/70
3,673,693	7/1972	Evans	33/141 R
4,096,377	6/1978	Prentice	235/144 HC
4,221,327	9/1980	Sato	235/144 SM X
4,314,149	2/1982	Gomez	235/144 SM X

Primary Examiner—Nelson C. Holtje
Attorney, Agent, or Firm—Cushman, Darby & Cushman

[57]

CLAIM

The ornamental design for a counter, substantially as shown and described.

DESCRIPTION

FIG. 1 is a front perspective view of a counter showing our new design;
FIG. 2 is a front elevational view thereof;
FIG. 3 is a right side elevational view thereof;
FIG. 4 is a top plan view thereof;
FIG. 5 is a left side elevational view thereof;
FIG. 6 is a rear elevational view thereof;
FIG. 7 is a bottom plan view thereof.

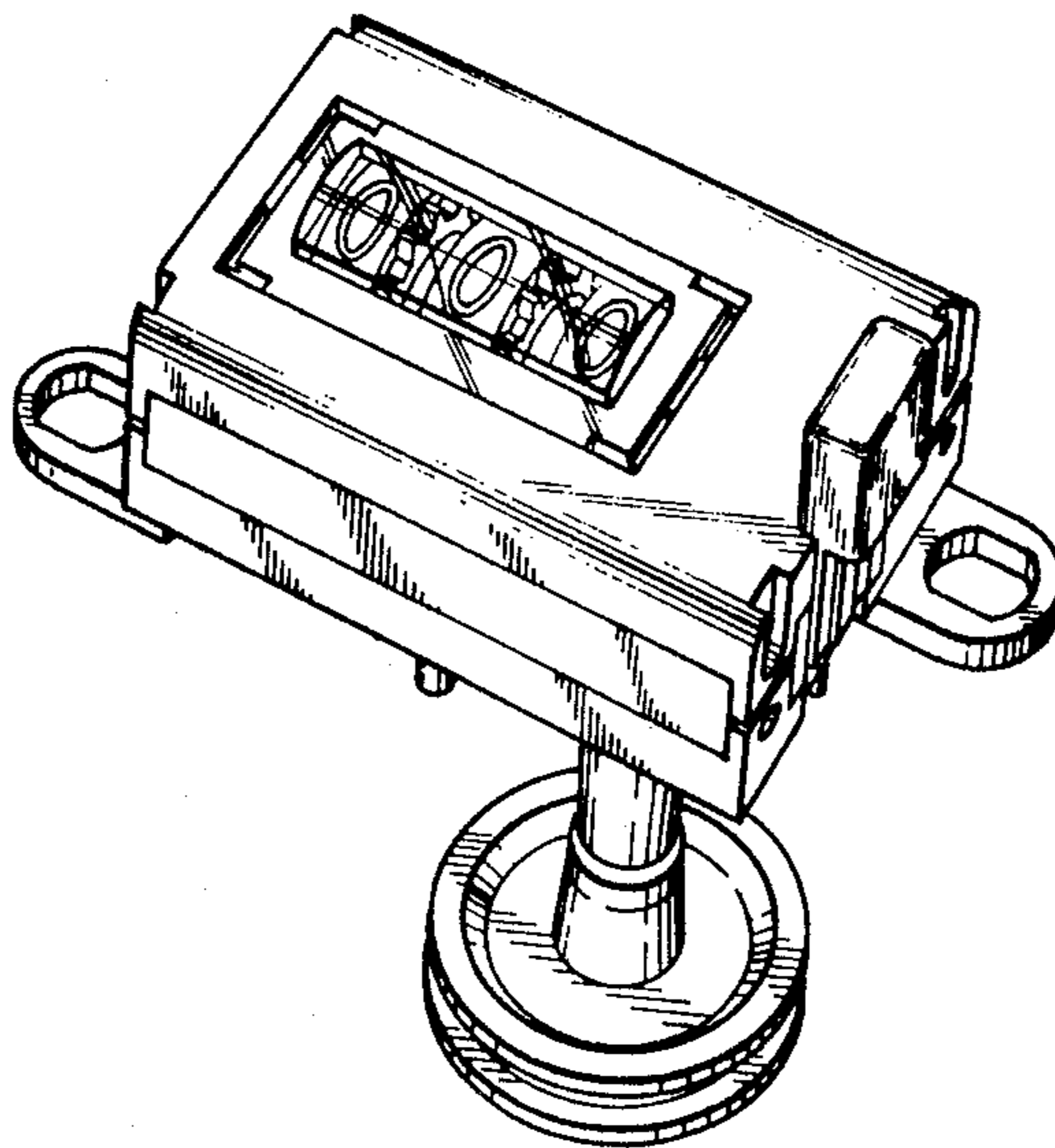


FIG. 1

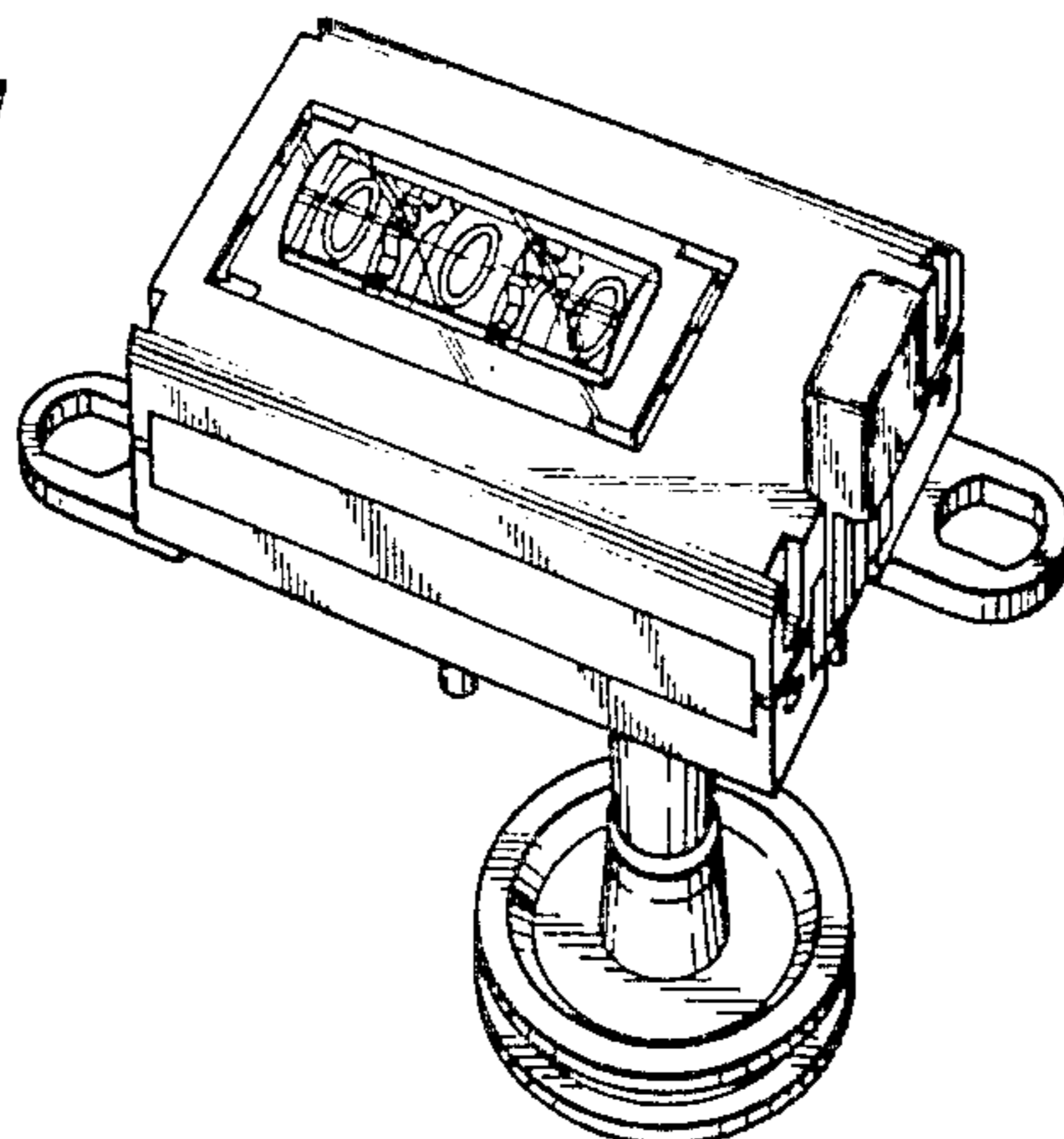


FIG. 2

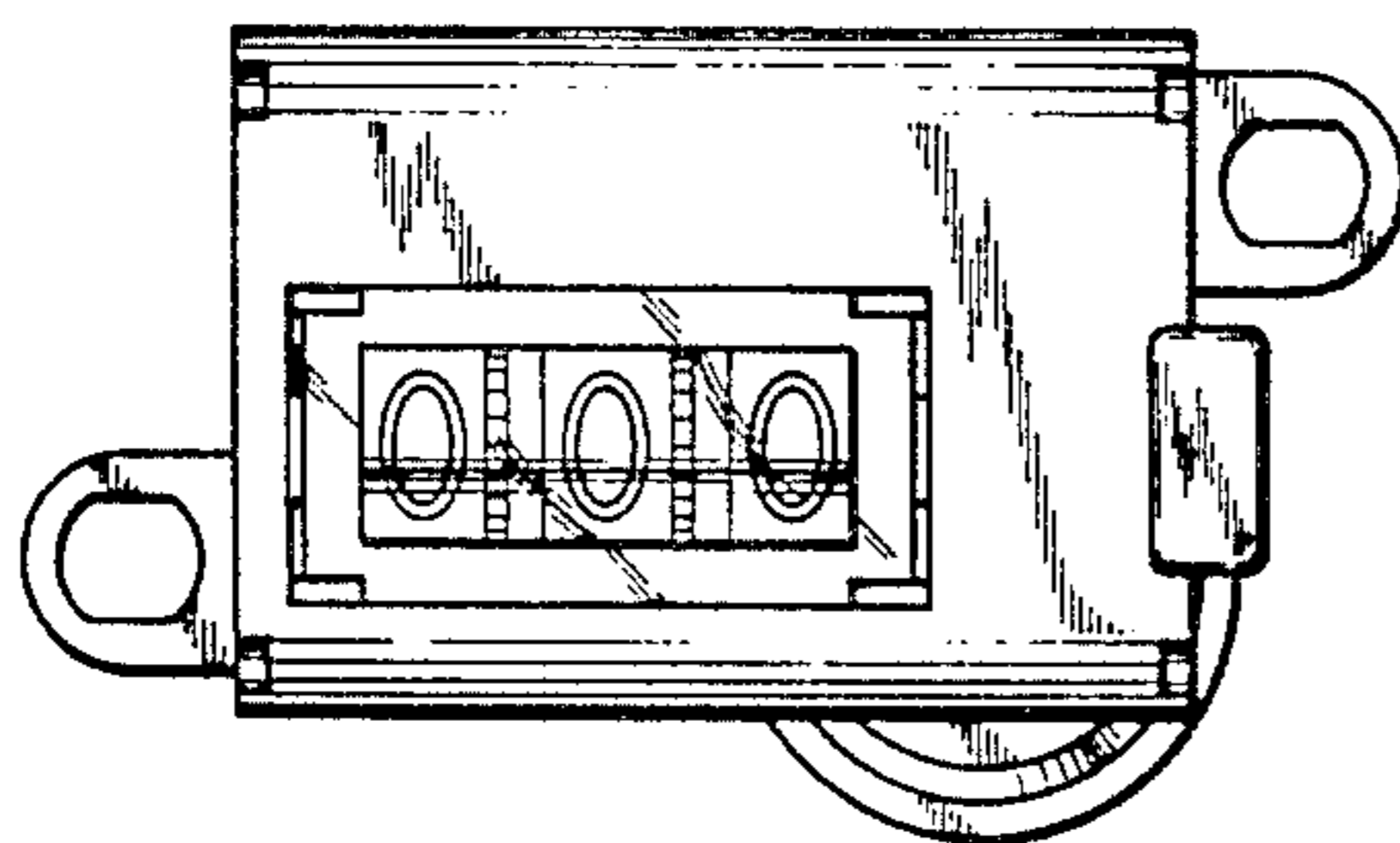


FIG. 3

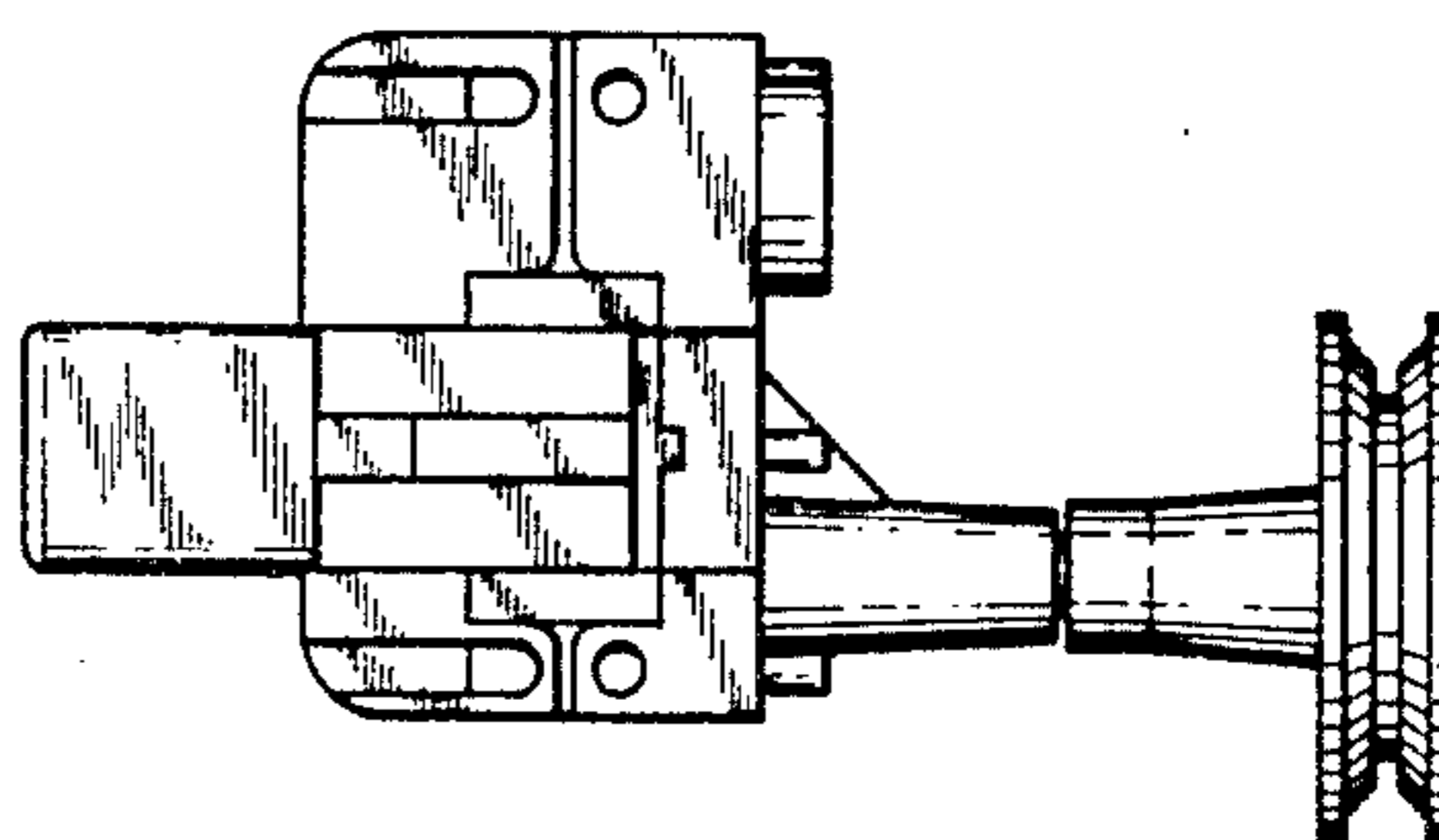


FIG. 4

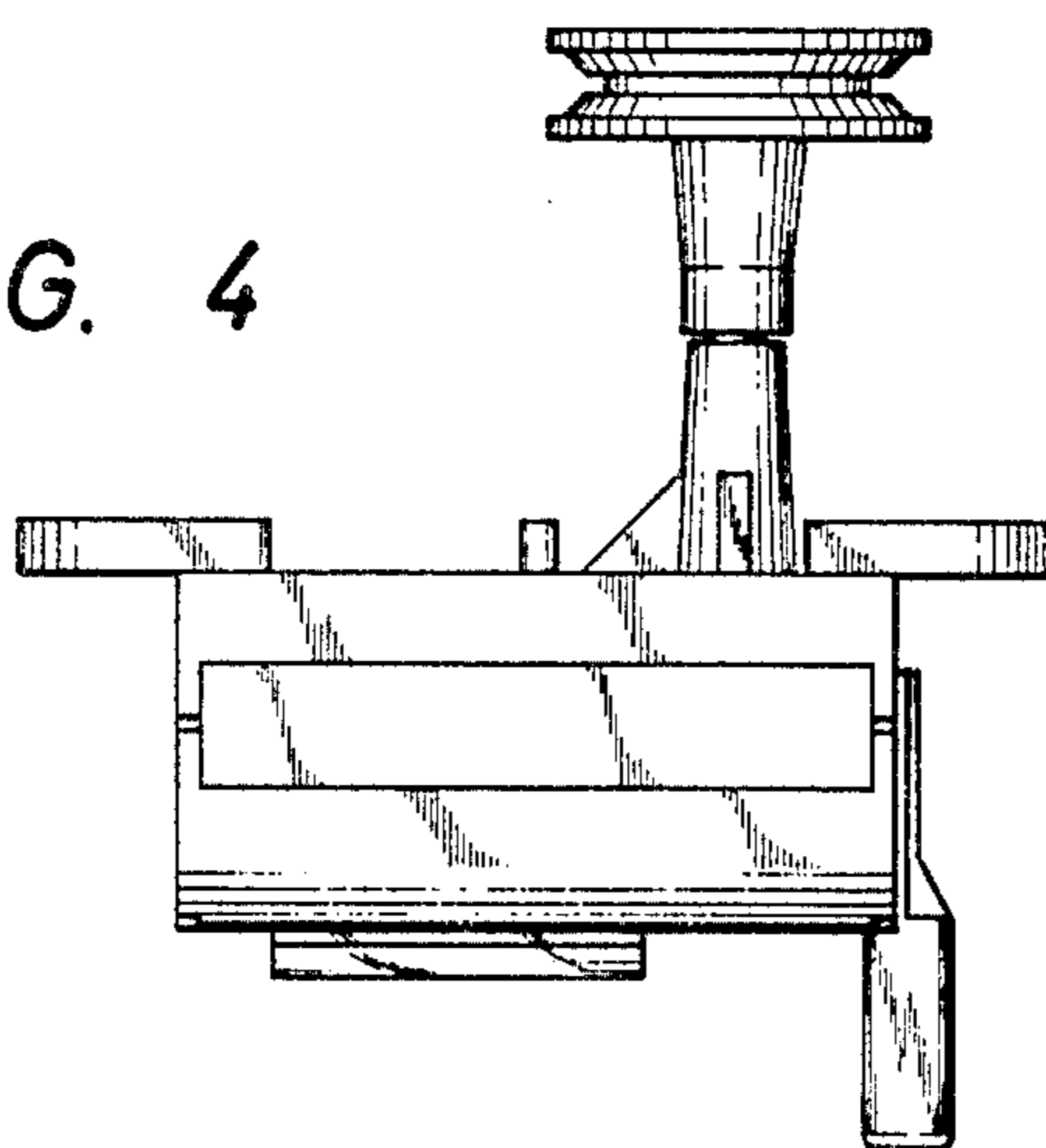


FIG. 5

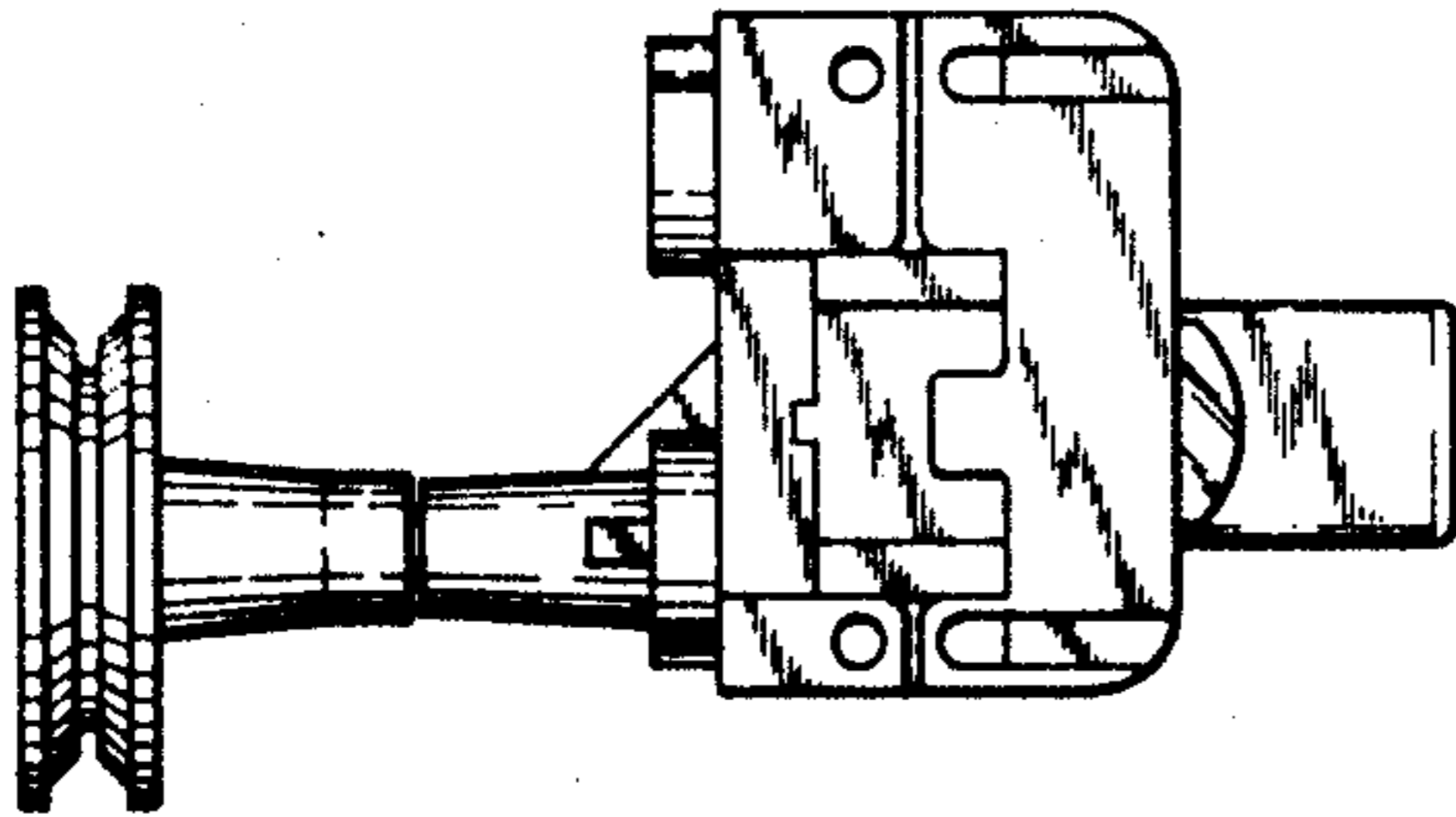


FIG. 6

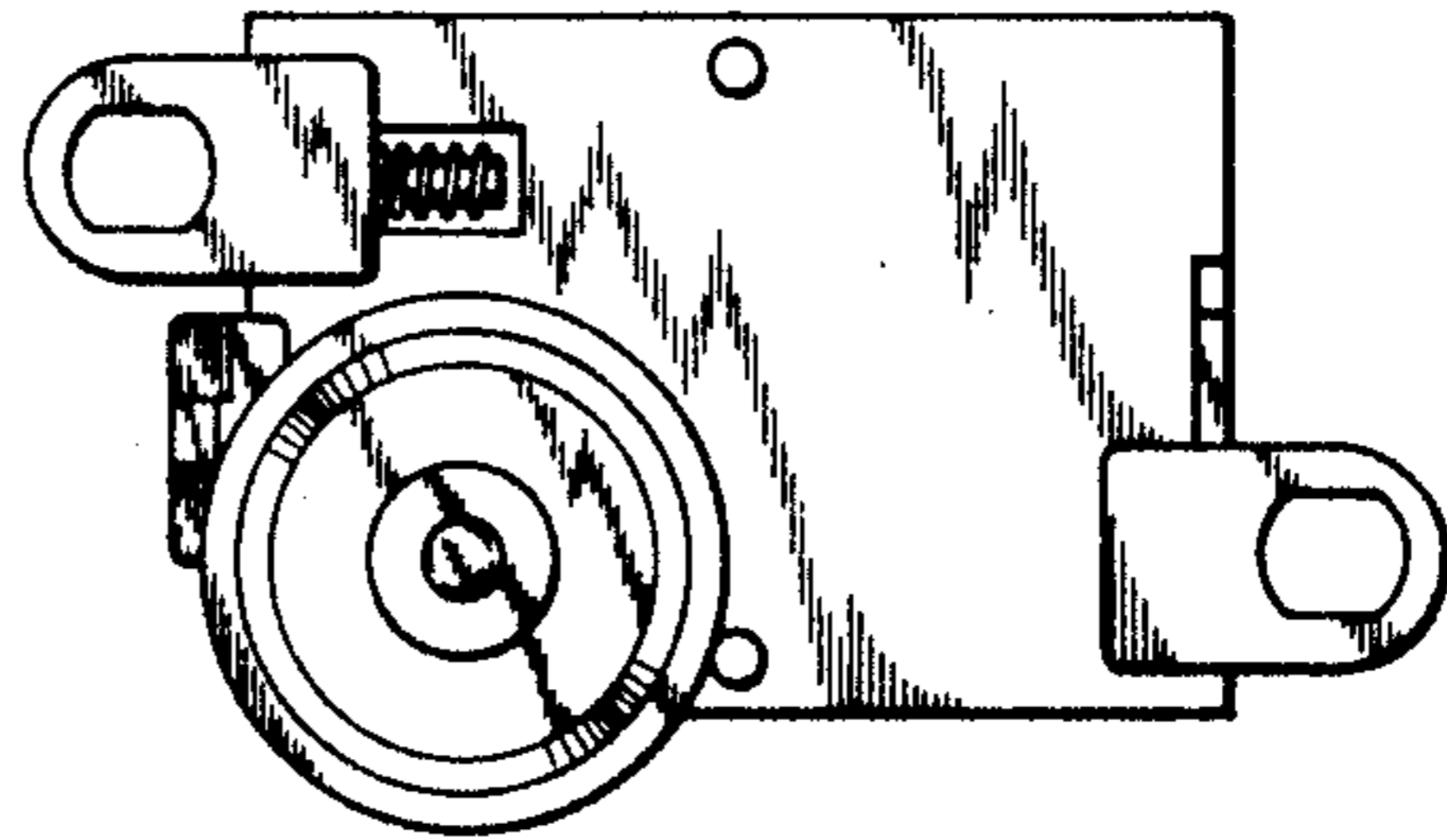


FIG. 7

