

[54] CONTAINER FOR SOLDER OR THE LIKE

[75] Inventors: Vasant J. Shend'ge, London; Geoffrey S. Thompson, Windlesham, both of England

[73] Assignee: Multicore Solders Limited, Hemel Hempstead, England

[**] Term: 14 Years

[21] Appl. No.: 357,768

[22] Filed: Mar. 12, 1982

[30] Foreign Application Priority Data

Jan. 8, 1982 [GB] United Kingdom 1004523

[52] U.S. Cl. D9/354; D9/355; D9/439

[58] Field of Search D9/349, 352, 354, 355, D9/439, 443; 215/355, 356, 296, 302

[56] References Cited

U.S. PATENT DOCUMENTS

- D. 25,917 8/1896 Boley D9/439
- D. 96,607 8/1935 Karn D9/439
- D. 207,887 6/1967 Parisson et al. D9/439

- D. 240,022 5/1976 Laurizio D9/439
- 1,415,908 5/1922 Tofting 215/356 X
- 2,547,337 4/1951 McKeen 215/356 X
- 3,023,925 3/1962 Sher D9/415 X
- 4,056,209 11/1977 Winkler 215/302 X

OTHER PUBLICATIONS

Packaging in Plastics, p. 2, fourth Container from left in top row, p. 3. Second Container from bottom left.

Primary Examiner—Robert C. Spangler
Attorney, Agent, or Firm—Finnegan, Henderson, Farabow, Garrett & Dunner

[57] CLAIM

The ornamental design for a container for solder or the like, as shown.

DESCRIPTION

FIG. 1 is a perspective view of a container for solder or the like embodying our new design;
FIG. 2 is a side view;
FIG. 3 is a view looking from the top of FIG. 2;
FIG. 4 is a view looking from the right of FIG. 2; and
FIG. 5 is a view looking from the left of FIG. 2.

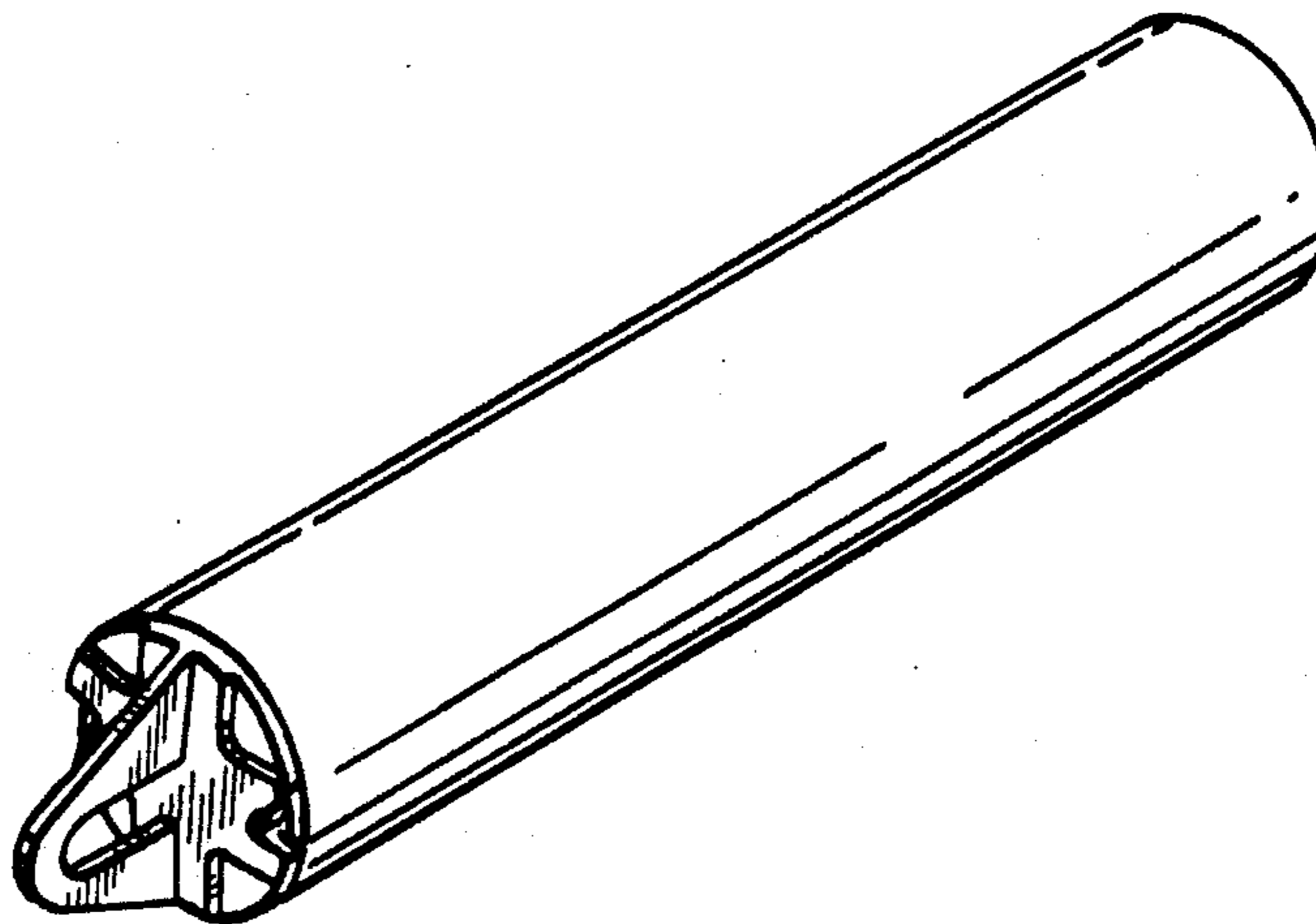


Fig. 1

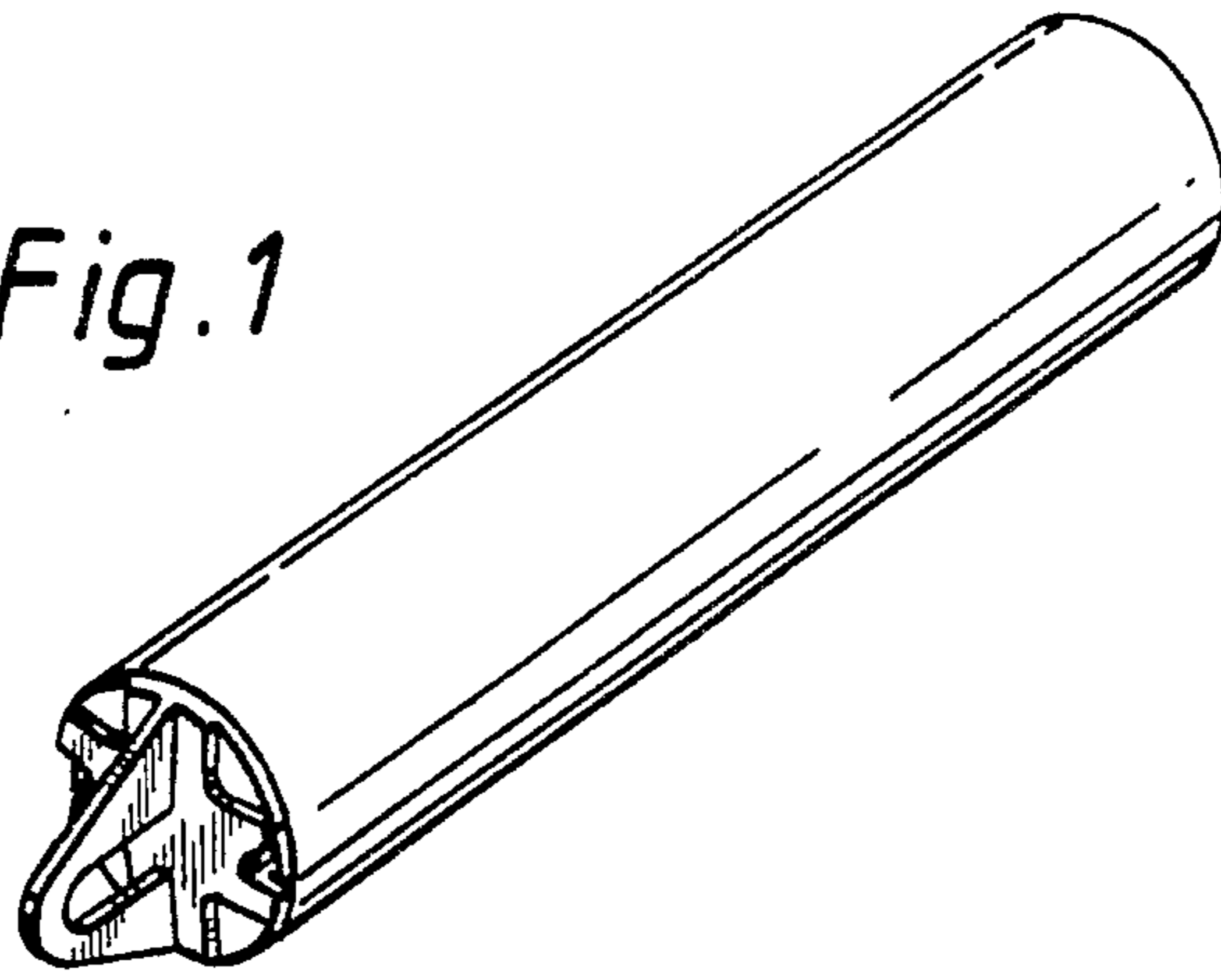


Fig. 2

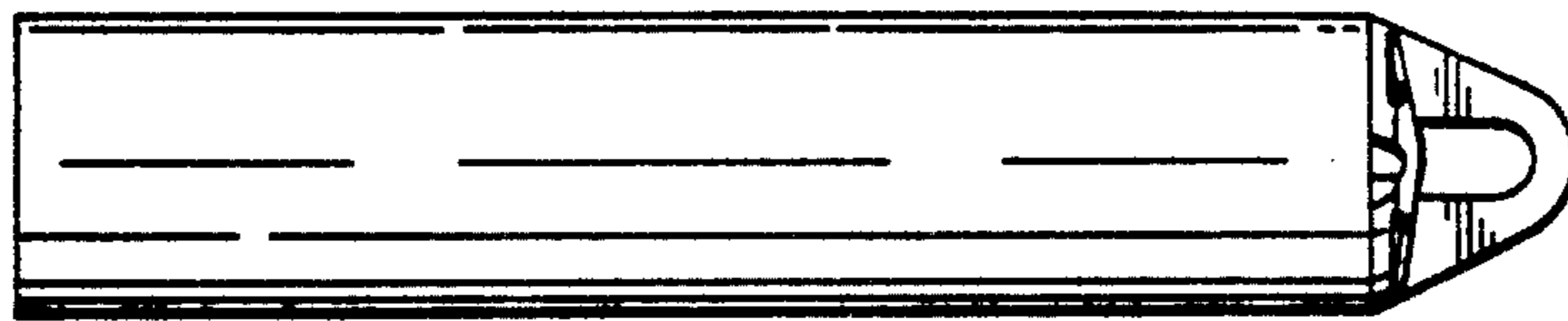


Fig. 3

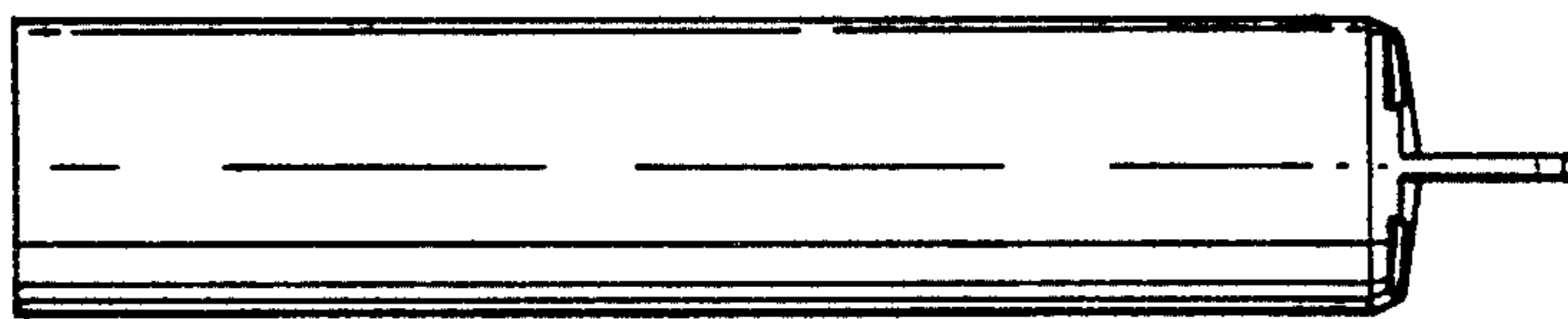


Fig. 4

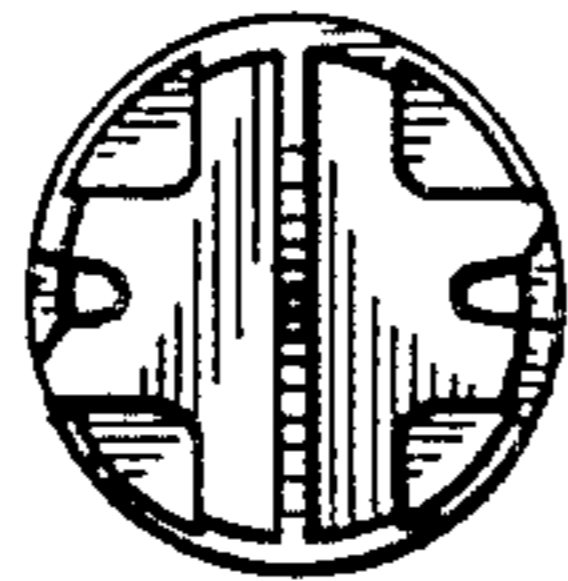


Fig. 5

