

[54] WIRE CUTTER AND STRIPPER

[75] Inventor: Takashi Yokoyama, Mie, Japan

[73] Assignee: Kabushiki Kaisha Matsuzaka Tokkosho (MCC Corporation), Mie, Japan

[**] Term: 14 Years

[21] Appl. No.: 390,075

[22] Filed: Jun. 18, 1982

[30] Foreign Application Priority Data

Dec. 18, 1981 [JP] Japan 56-56158

[52] U.S. Cl. D8/52

[58] Field of Search D8/52, 55, 98; 30/251, 30/250, 249, 192

[56] References Cited

U.S. PATENT DOCUMENTS

D. 229,022	11/1973	Freedman	D8/52
D. 239,498	4/1976	Wiener	D8/52
D. 269,152	5/1983	Nakamura	D8/52
3,210,844	10/1965	Tontscheff	30/250
3,885,309	5/1975	Lund et al.	30/250
4,178,682	12/1979	Sadauskas	30/251

Primary Examiner—Alan P. Douglas
Attorney, Agent, or Firm—Wenderoth, Lind & Ponack

[57] CLAIM

The ornamental design for wire cutter and stripper, substantially as shown.

DESCRIPTION

FIG. 1 is a front view of a wire cutter and stripper, showing my new design;
FIG. 2 is a rear view thereof;
FIG. 3 is a top view thereof;
FIG. 4 is a bottom view thereof;
FIG. 5 is a left end view thereof; and
FIG. 6 is a right end view thereof.

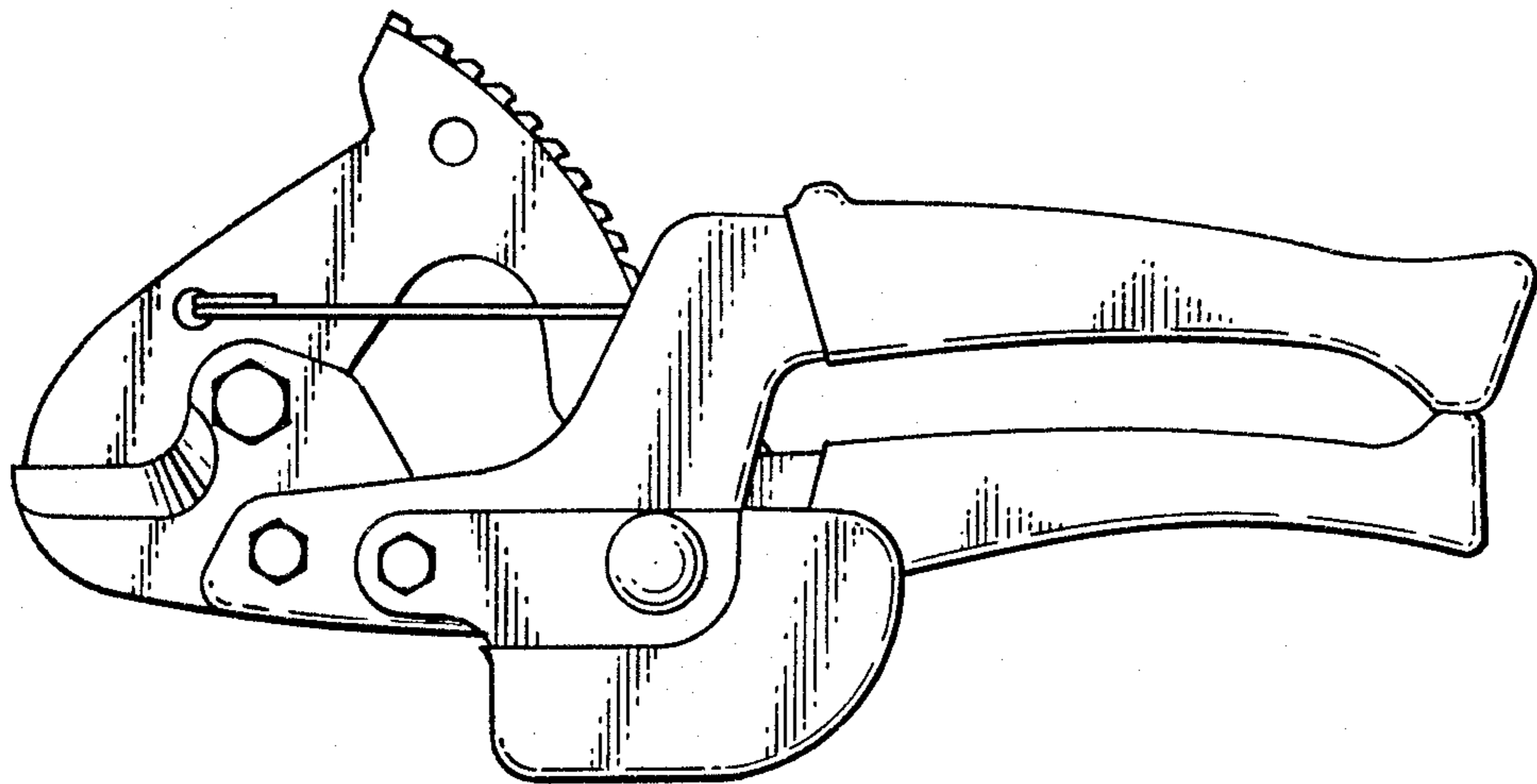


FIG. 1.

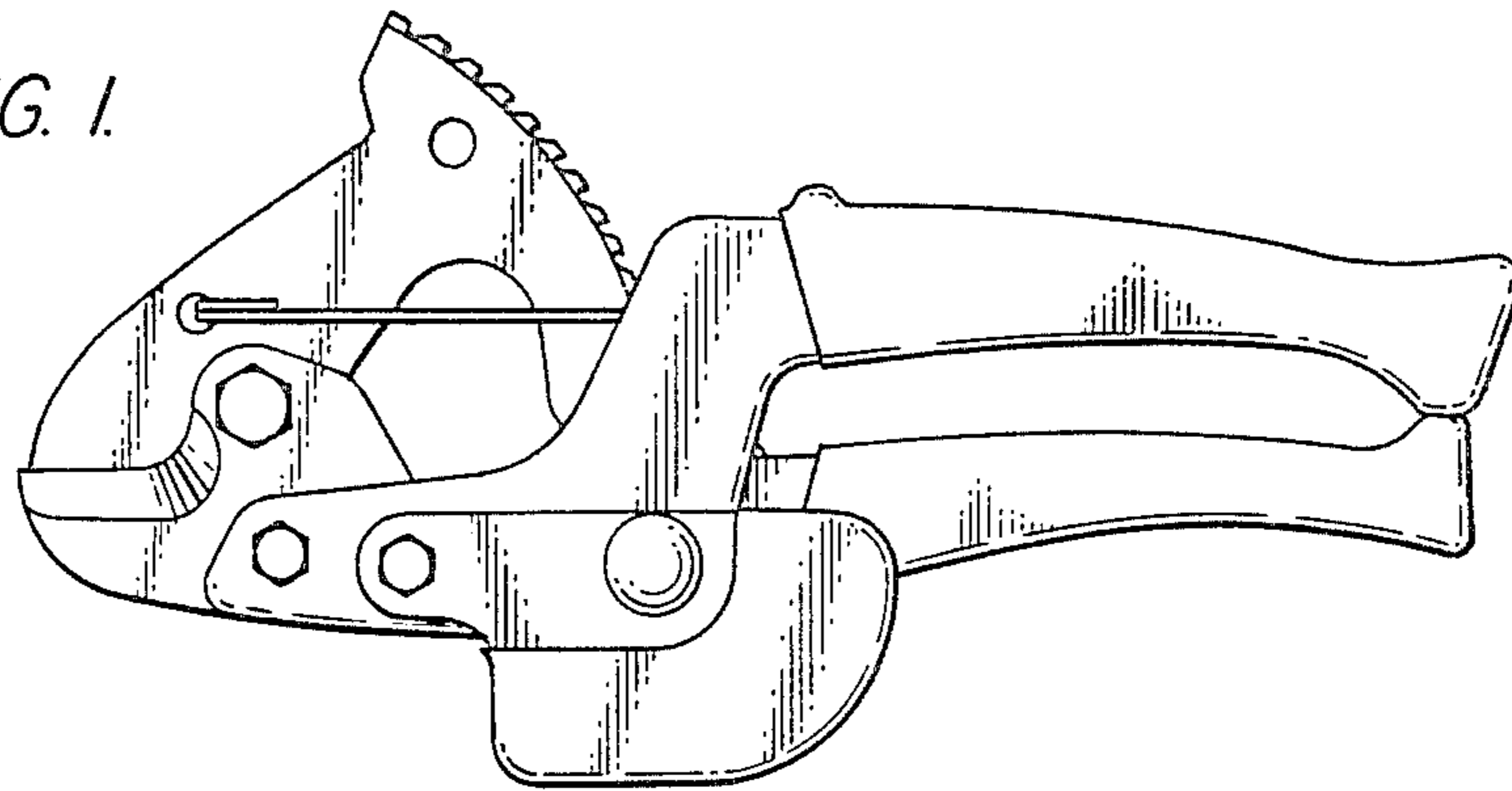


FIG. 2.

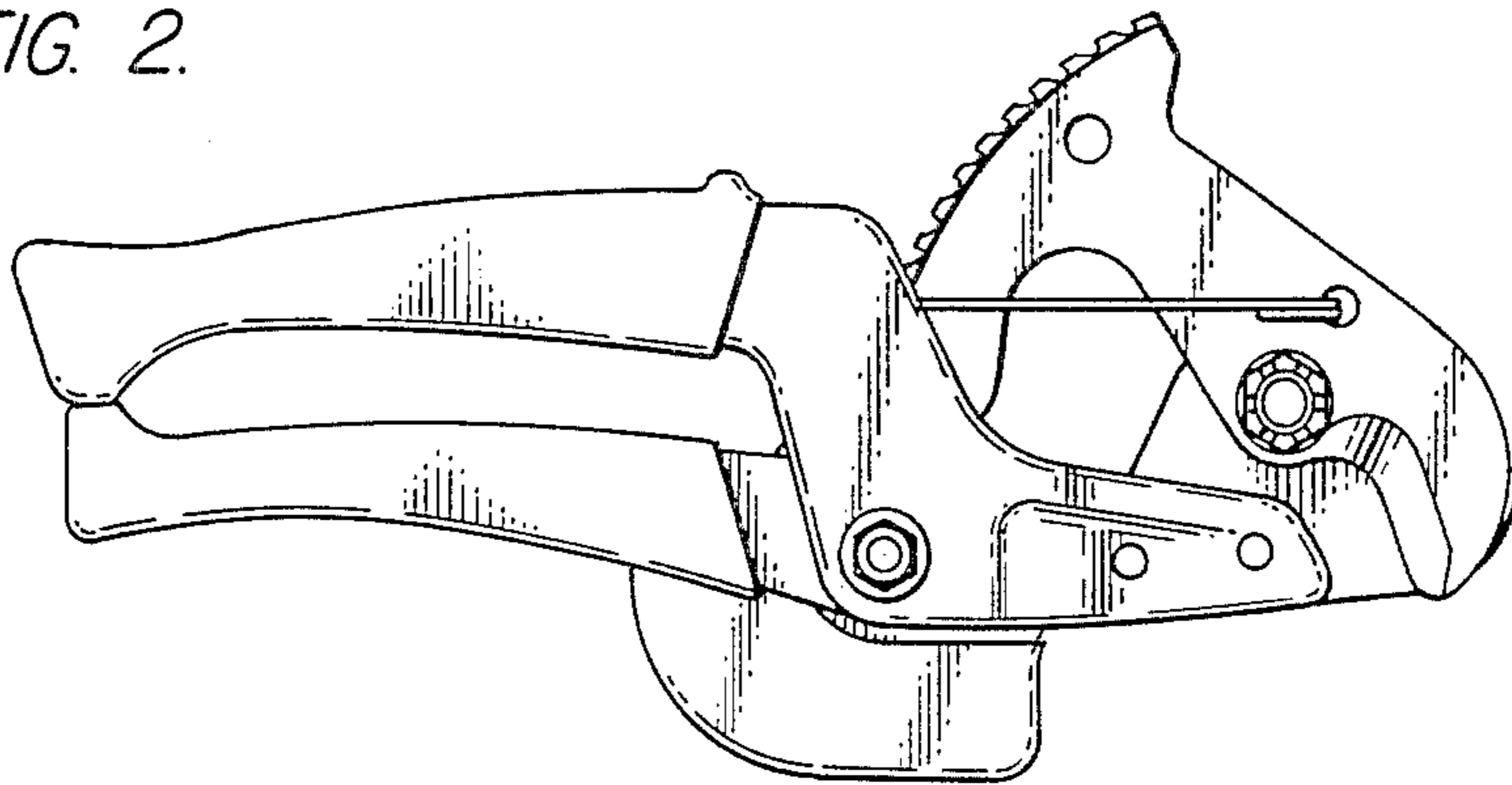


FIG. 3.



FIG. 4.

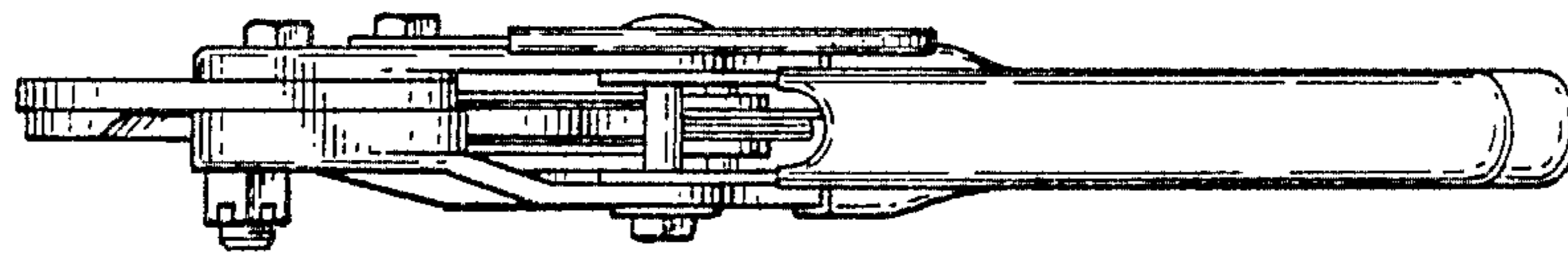


FIG. 5.

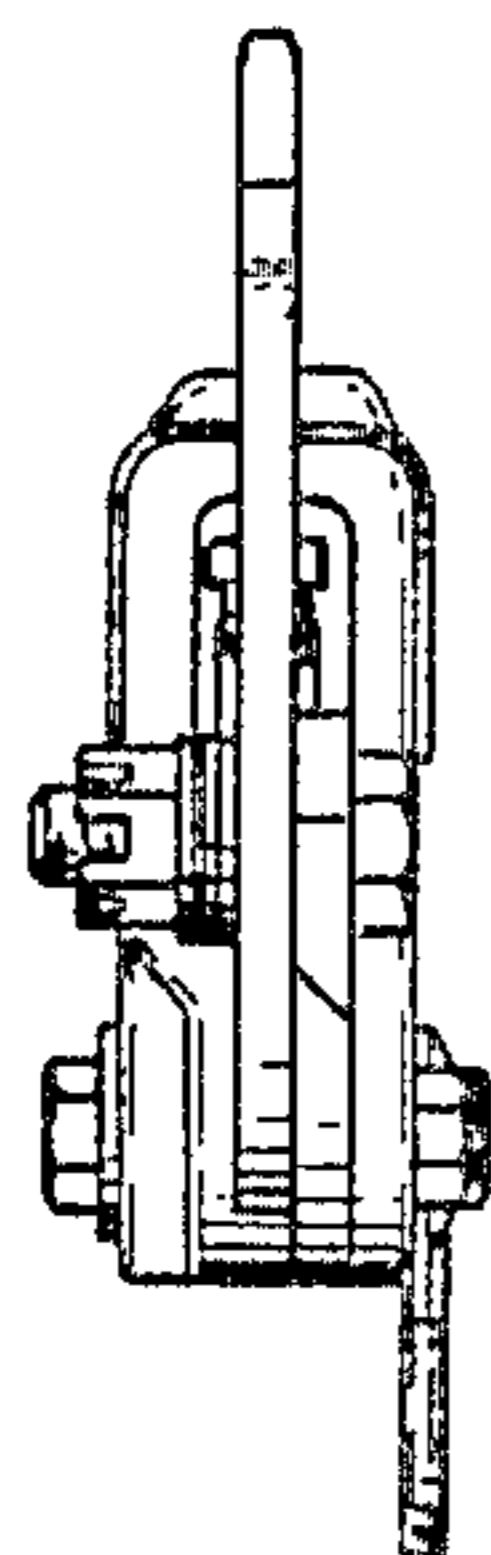


FIG. 6.

