

[54] WOK

[75] Inventor: William C. Cesaroni, Glenview, Ill.

[73] Assignee: Dart Industries Inc., Northbrook, Ill.

[\*\*] Term: 14 Years

[21] Appl. No.: 453,246

[22] Filed: Dec. 27, 1982

[52] U.S. Cl. .... D7/355; D7/360

[58] Field of Search ..... D7/352, 354, 355, 360, D7/366, 367, 403; 219/391, 429, 438

[56] References Cited

U.S. PATENT DOCUMENTS

D. 61,605	10/1922	Randolph	.....	D7/352
D. 187,681	4/1960	Chinn et al.	.....	D7/360
D. 269,319	6/1983	Fox	.....	D7/355

OTHER PUBLICATIONS

House and Garden, May 1973, p. 157, Wok.

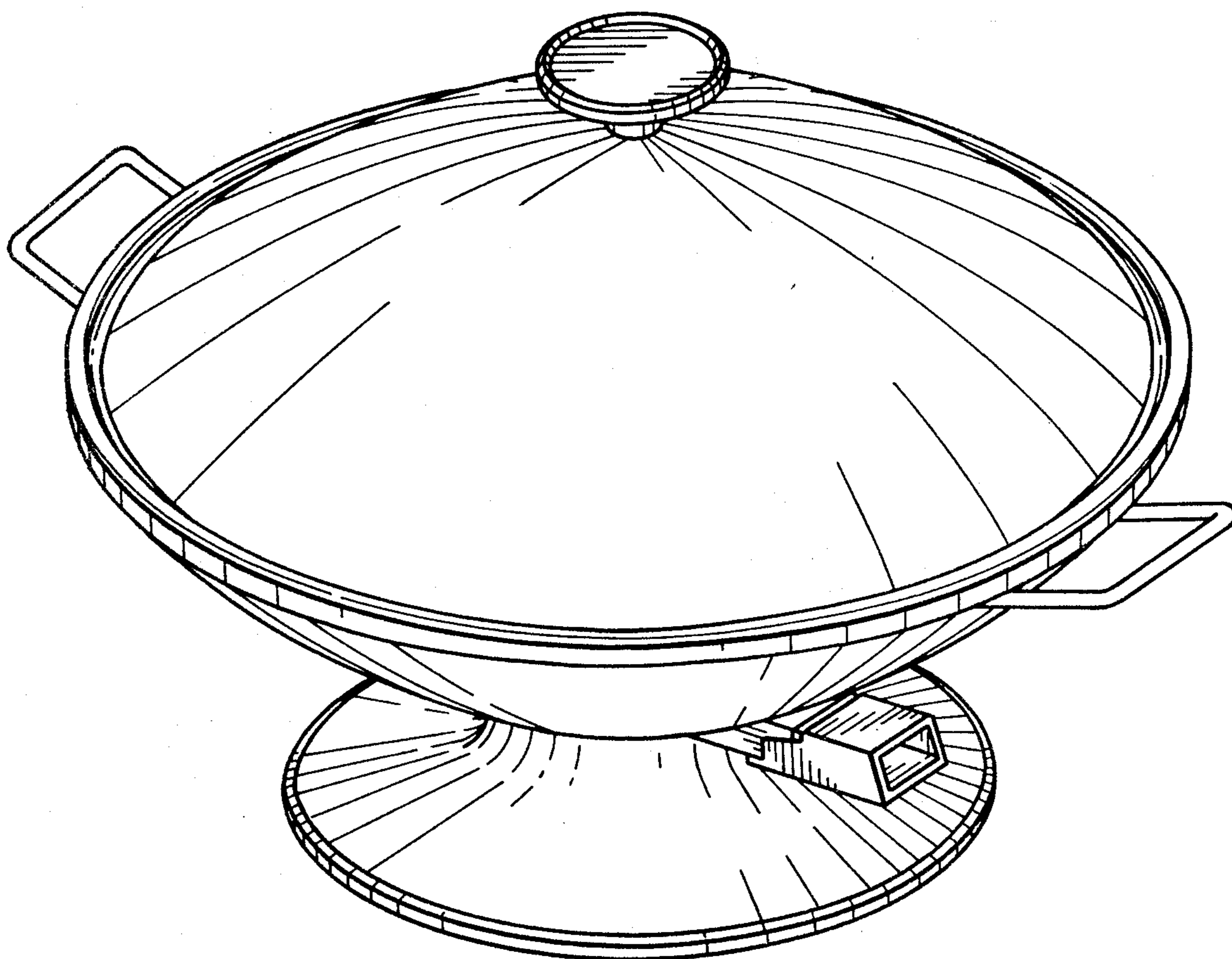
Primary Examiner—Bernard Ansher  
Assistant Examiner—Linda M. Titolo  
Attorney, Agent, or Firm—Gregory J. Mancuso

[57] CLAIM

The ornamental design for a wok, substantially as is shown.

DESCRIPTION

FIG. 1 is a front perspective view of a wok showing my new design;  
FIG. 2 is a top plan view thereof;  
FIG. 3 is a front elevation view thereof;  
FIG. 4 is a right side elevation view thereof;  
FIG. 5 is a left side elevation view thereof;  
FIG. 6 is a rear elevation view thereof; and  
FIG. 7 is a bottom plan view thereof.



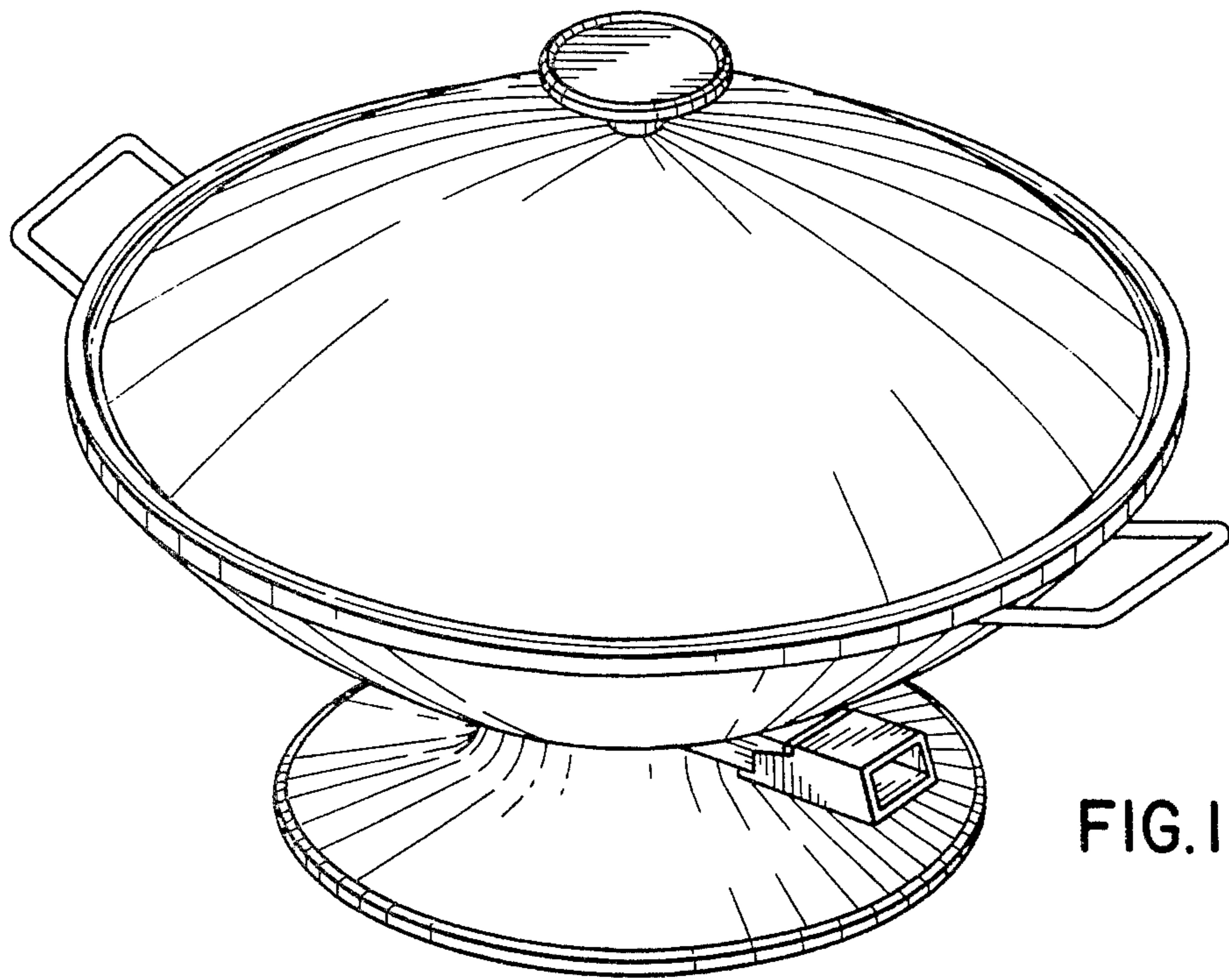


FIG. 1

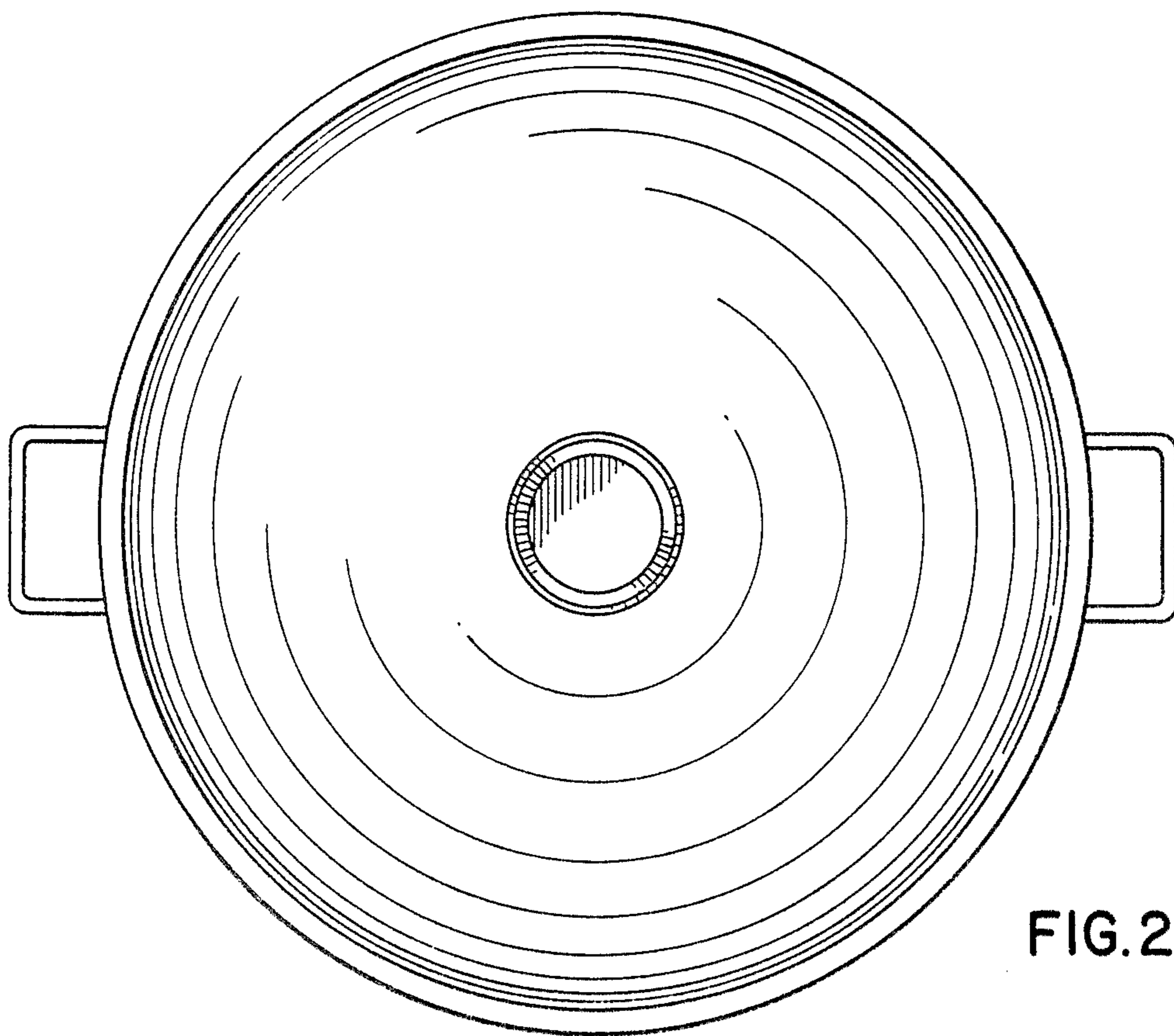


FIG. 2

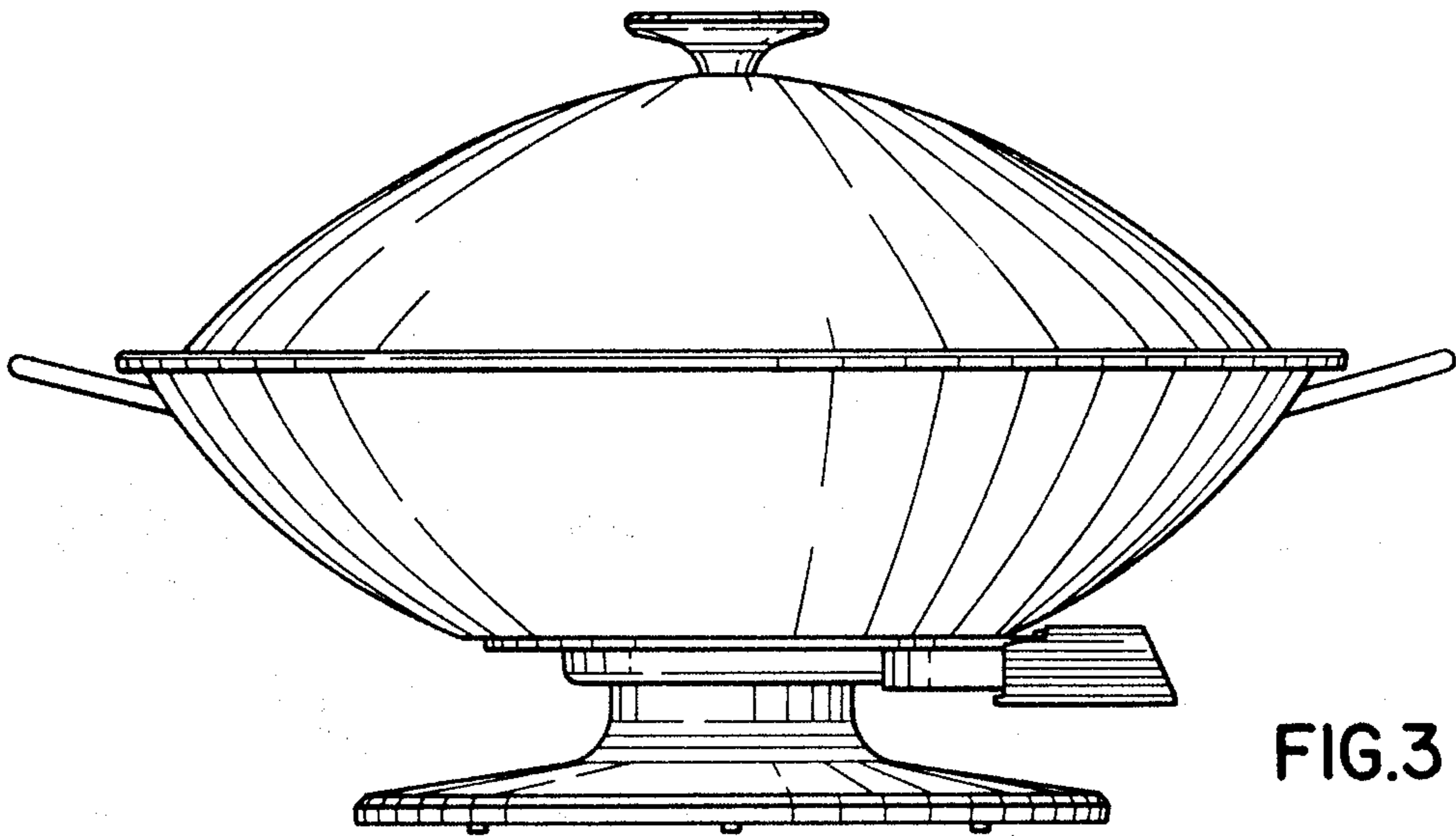


FIG. 3

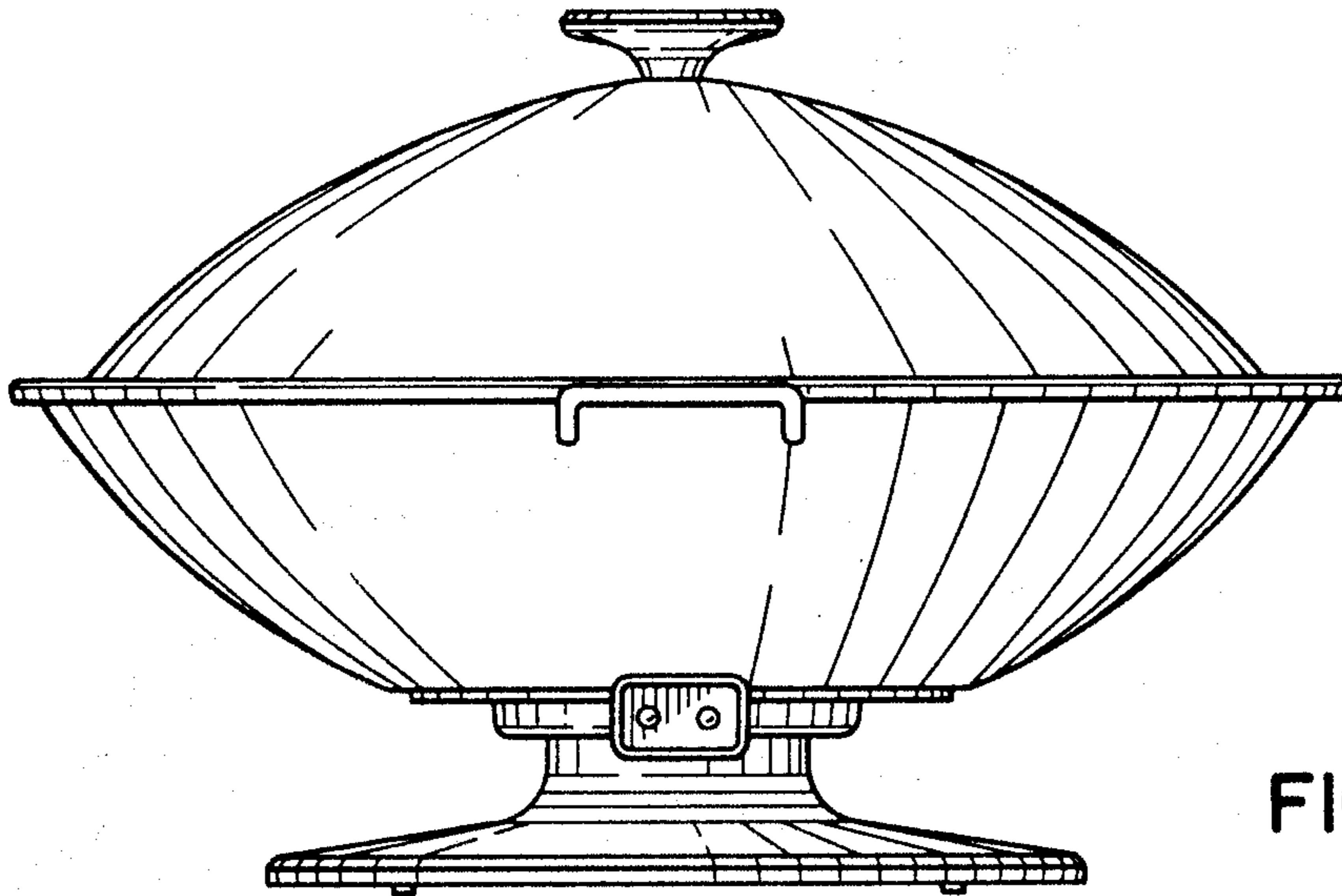


FIG. 4

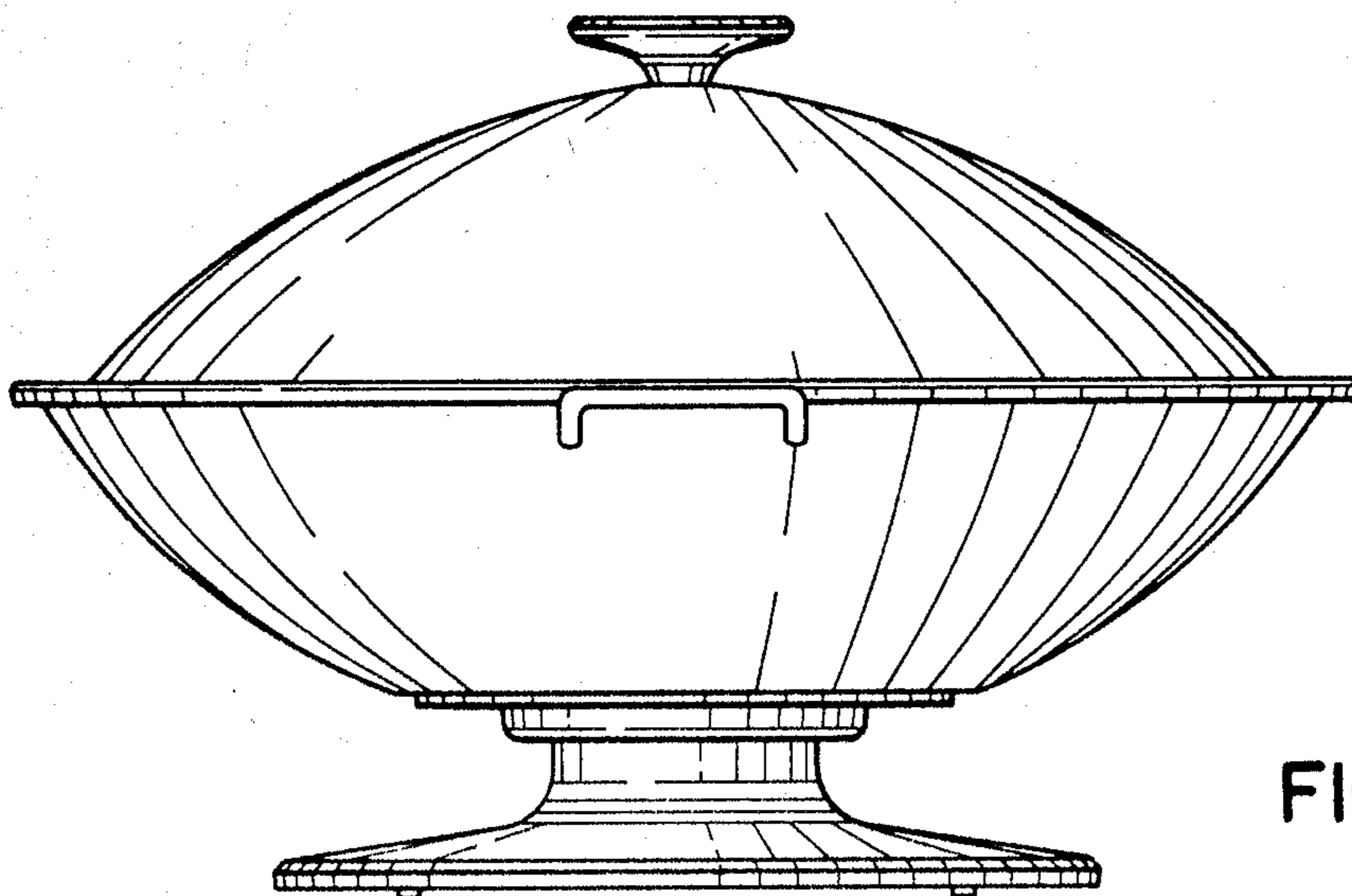


FIG. 5

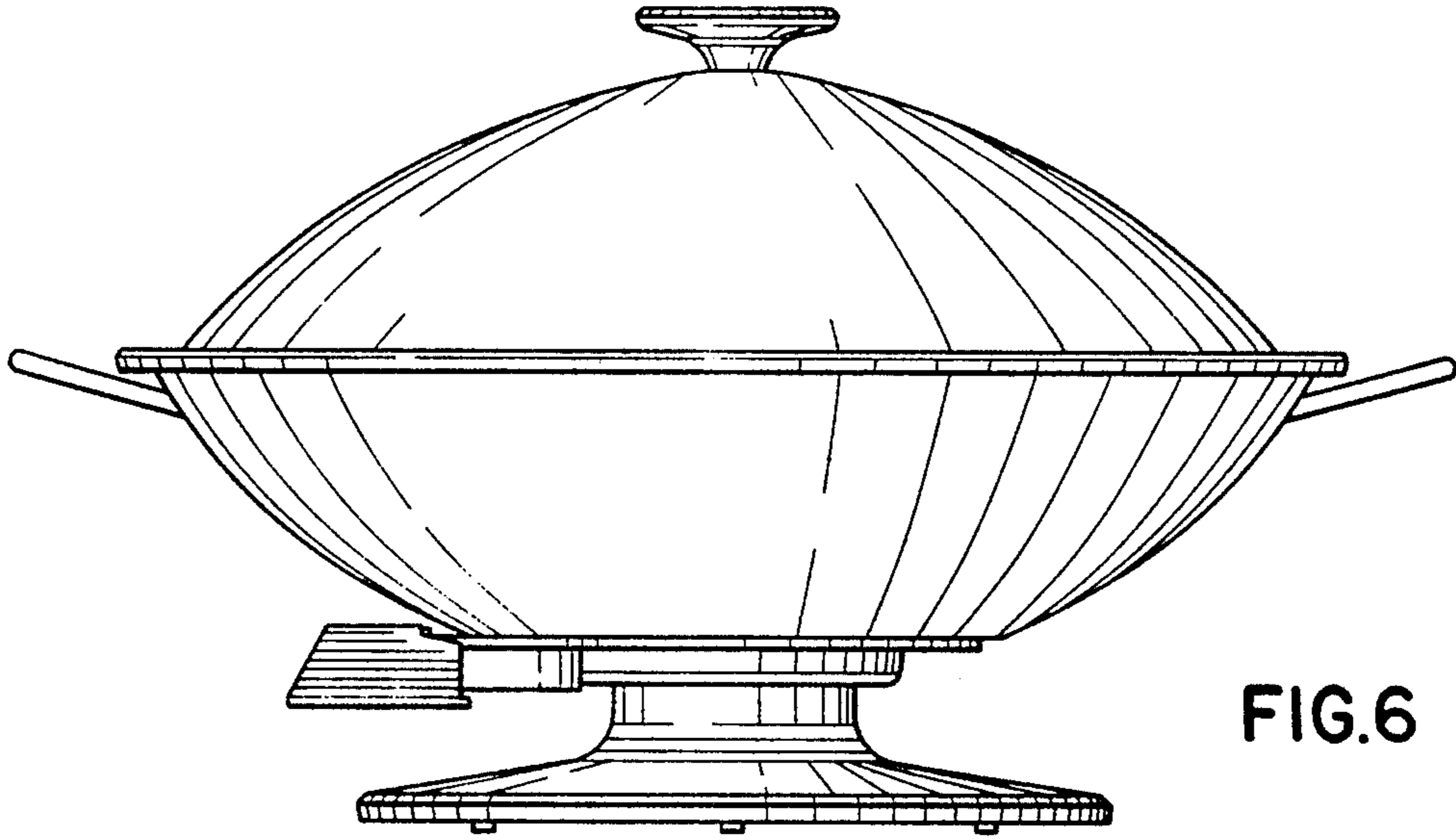


FIG. 6

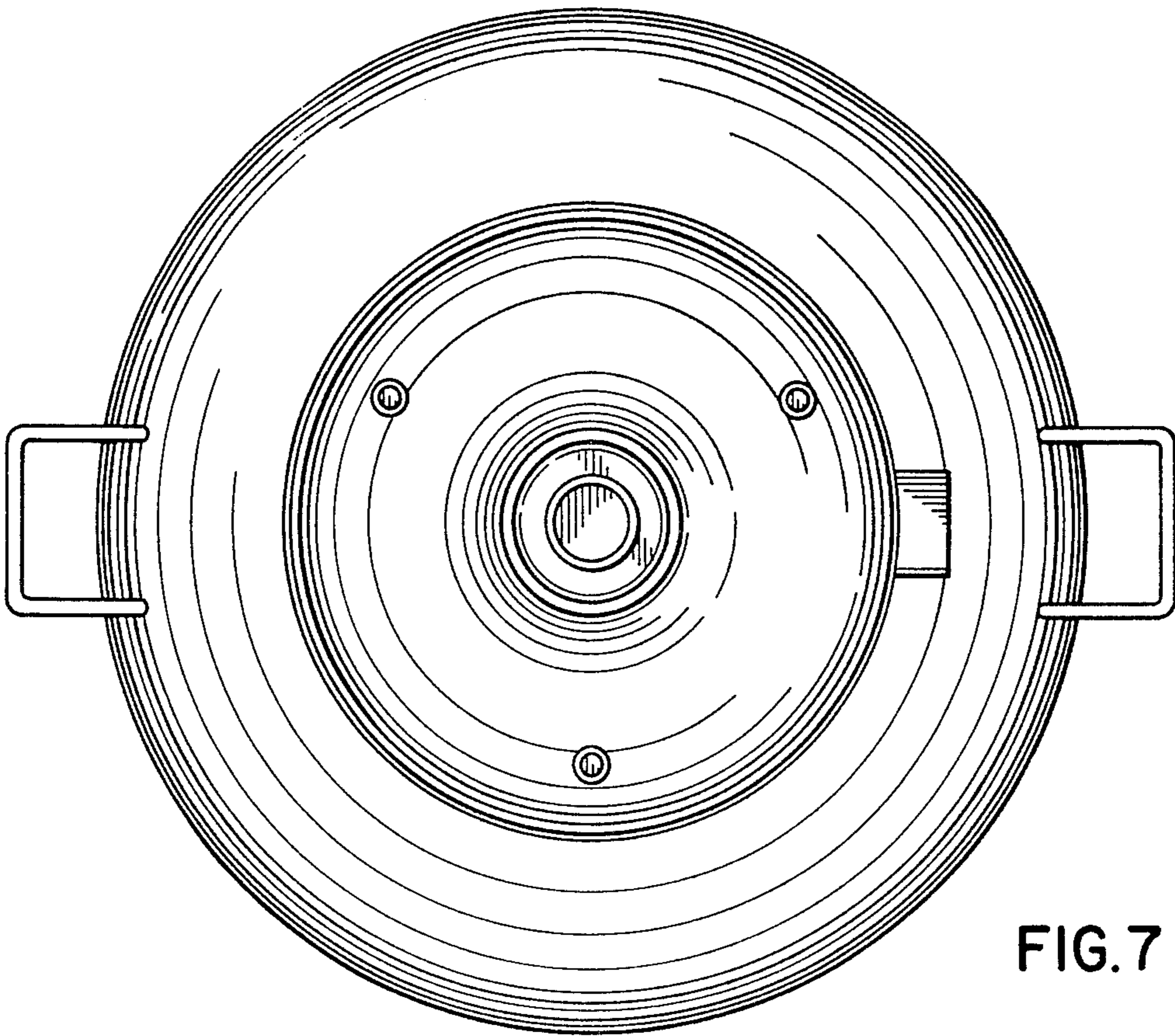


FIG. 7