

[54] CUP OR SIMILAR ARTICLE

[76] Inventor: **Philippe J. Durand**, Les Daneaux,
Chemin de la Garenne, 62510
Arques, France

[**] Term: **14 Years**

[21] Appl. No.: **410,849**

[22] Filed: **Aug. 23, 1982**

[30] Foreign Application Priority Data

May 24, 1982 [XH] Hague DM/001 481
[52] U.S. Cl. D7/9
[58] Field of Search D7/9, 10, 6, 28

[56] References Cited

U.S. PATENT DOCUMENTS

- D. 16,594 3/1886 Miller D7/1
- D. 16,952 10/1886 Hatch D7/28
- D. 75,525 6/1928 Sebring D7/9
- D. 160,228 9/1950 Stier D7/9
- D. 184,518 3/1959 Folley D7/9
- D. 192,174 2/1962 Trombley D7/9

OTHER PUBLICATIONS

Pattern Glass Primer, NK 5203 M32, by Mollie H. McCain, ©1979, p. 523, plate 256 "Swirls", middle row, cream pitcher, *Flickering Flame 1896*, far right.

Primary Examiner—Winifred E. Herrmann
Attorney, Agent, or Firm—D. Paul Weaver

[57] CLAIM

The ornamental design for a cup or similar article, substantially as shown and described.

DESCRIPTION

FIG. 1 is a side elevational view of a cup or similar article showing my new design;
FIG. 2 is a side elevational view of the cup, as viewed from the left side thereof;
FIG. 3 is a side elevational view as viewed from the handle side of the cup;
FIG. 4 is a sectional view thereof taken along the lines 4-4 of FIG. 5;
FIG. 5 is a top plan view thereof, with the surface decoration, as seen through the bottom wall, having been omitted for clarity of illustration, and
FIG. 6 is a bottom plan view thereof.

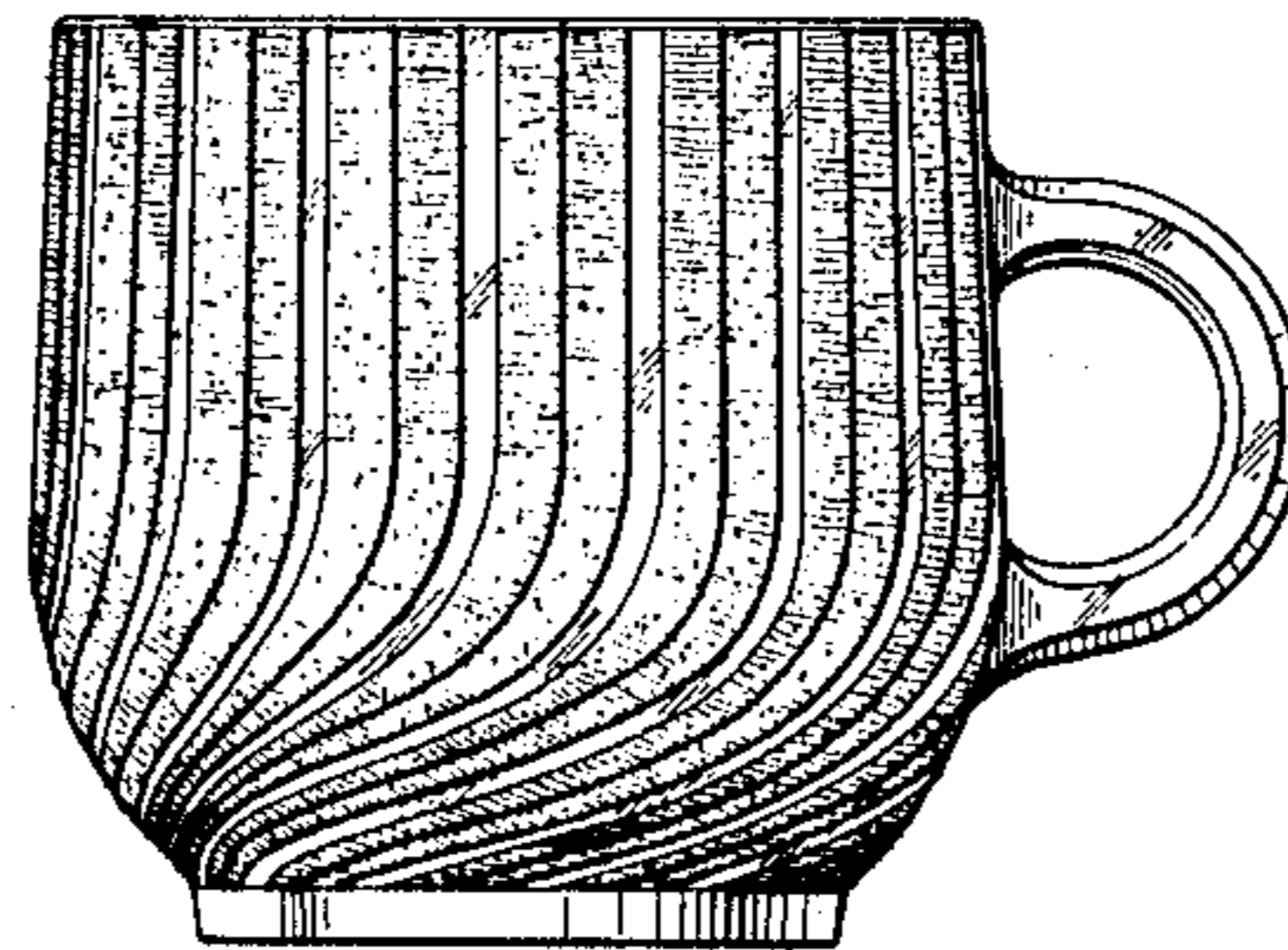


Fig. 1

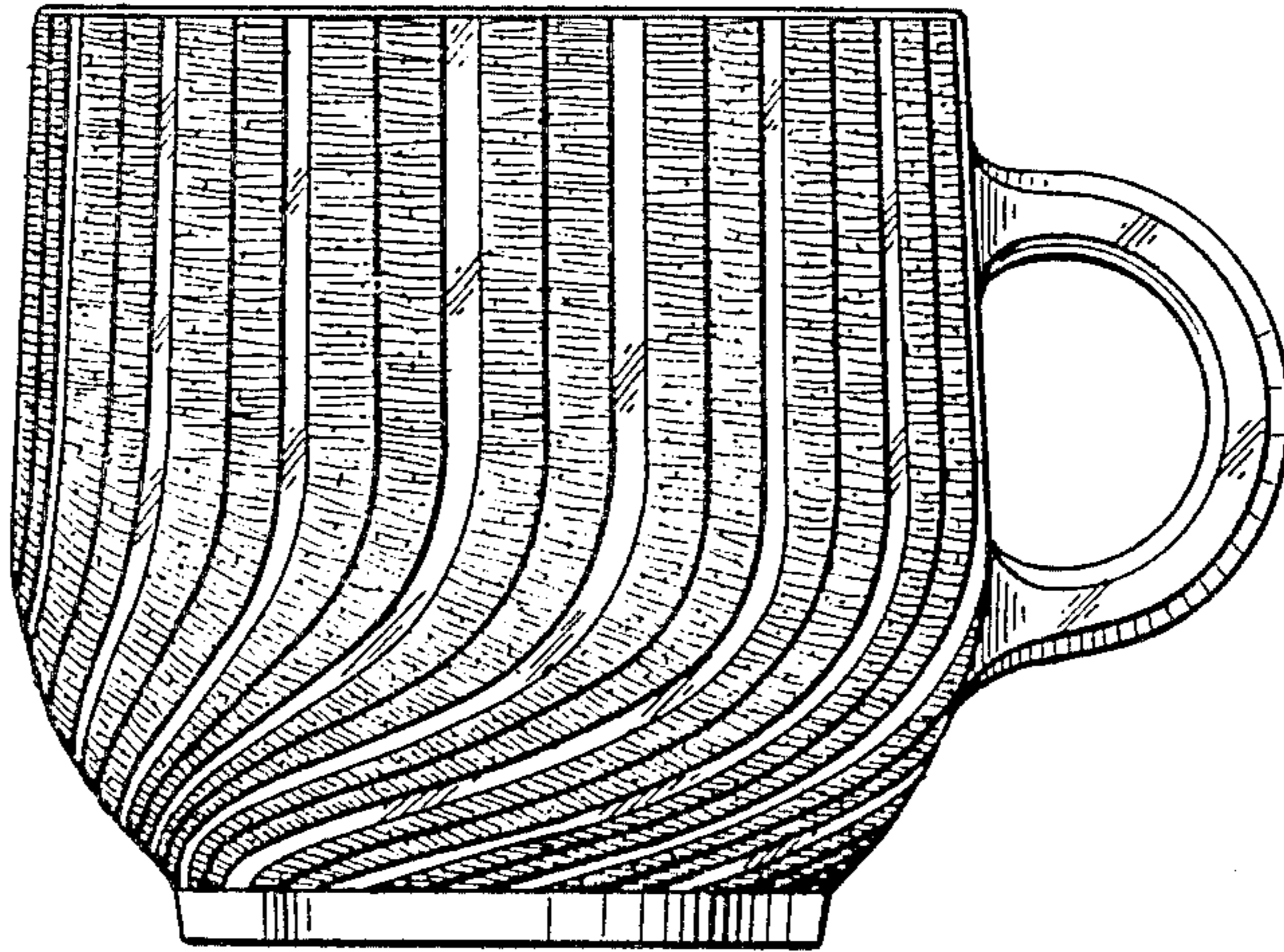


Fig. 2

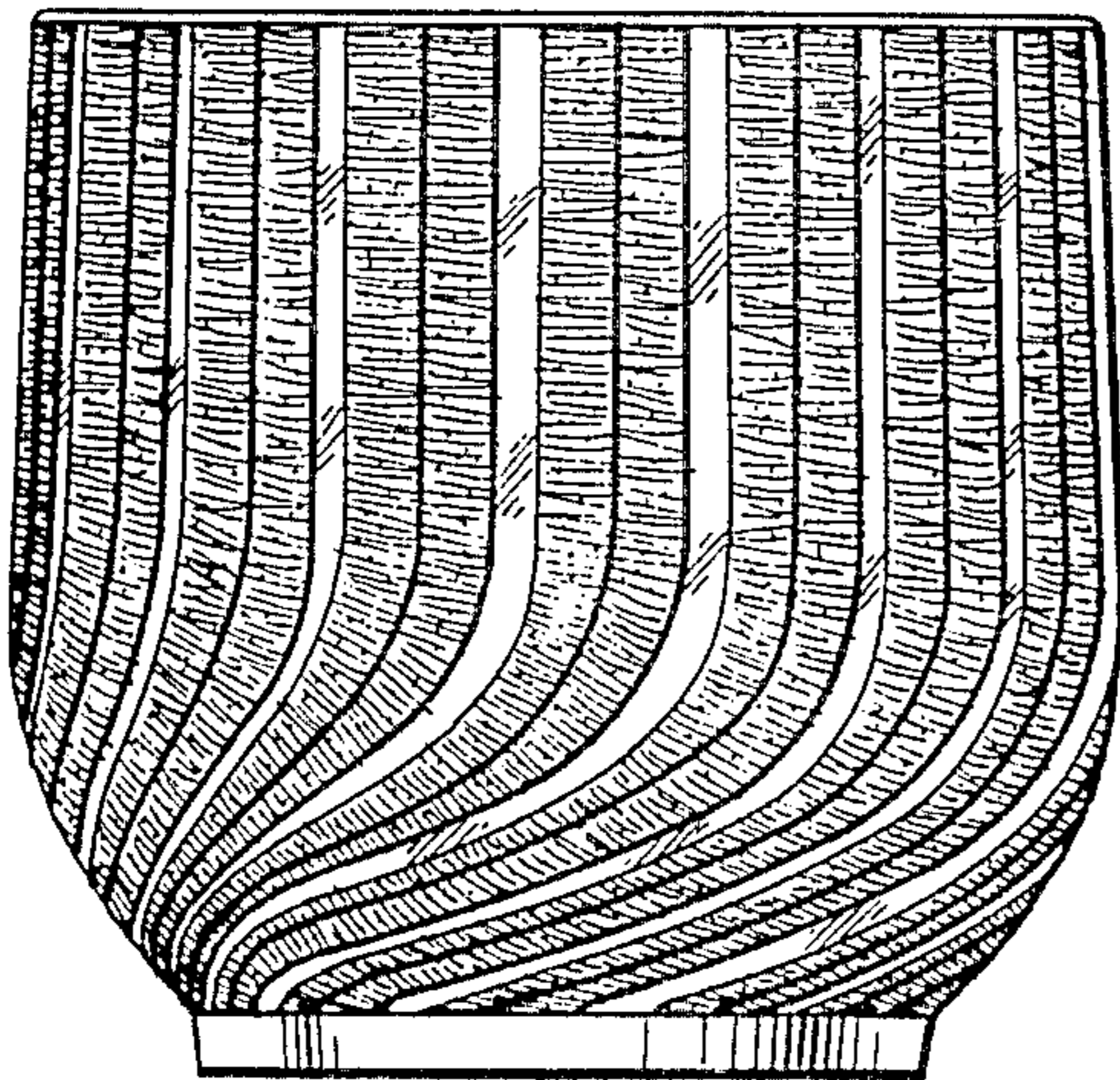


Fig. 3

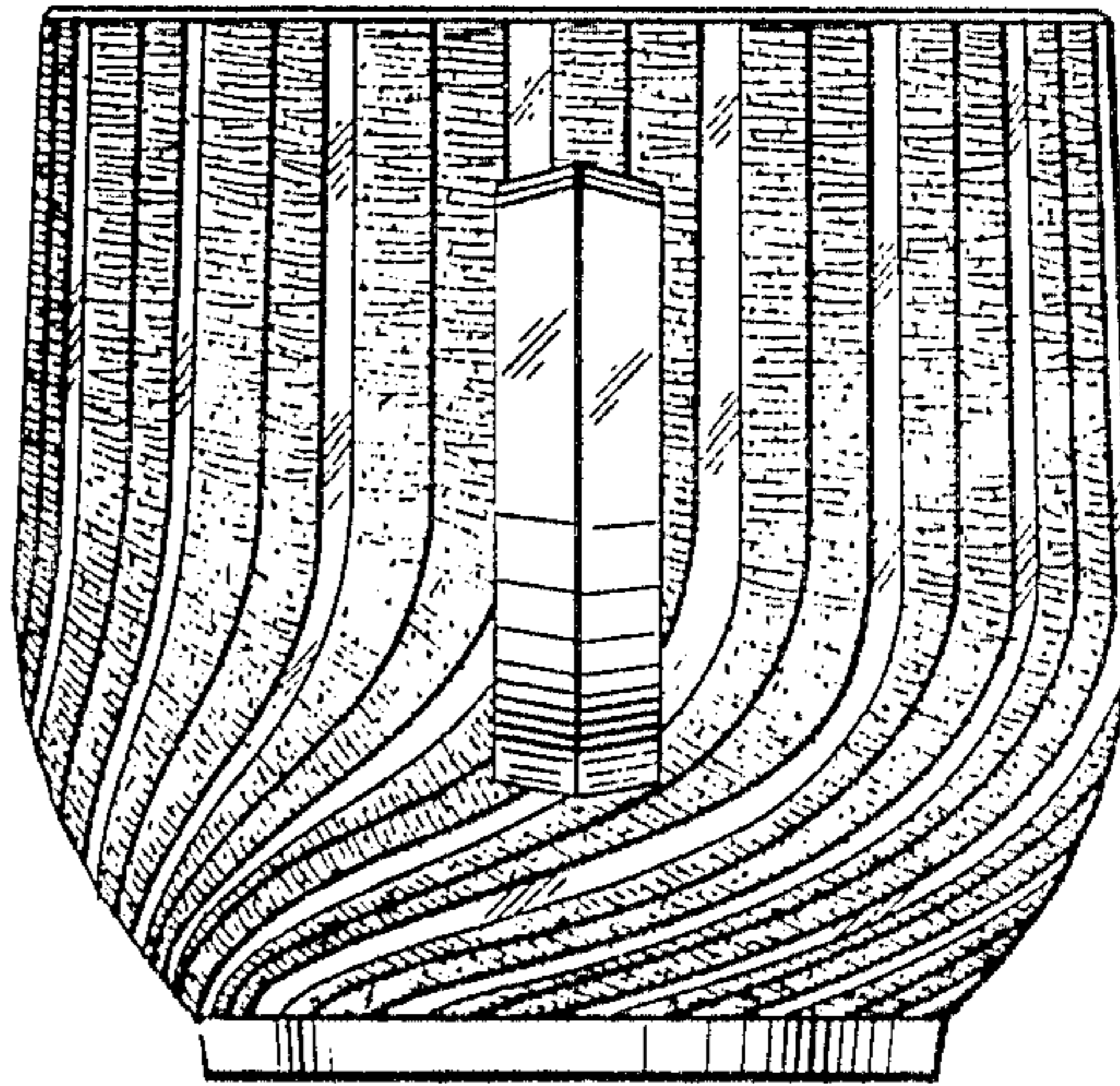


Fig. 4

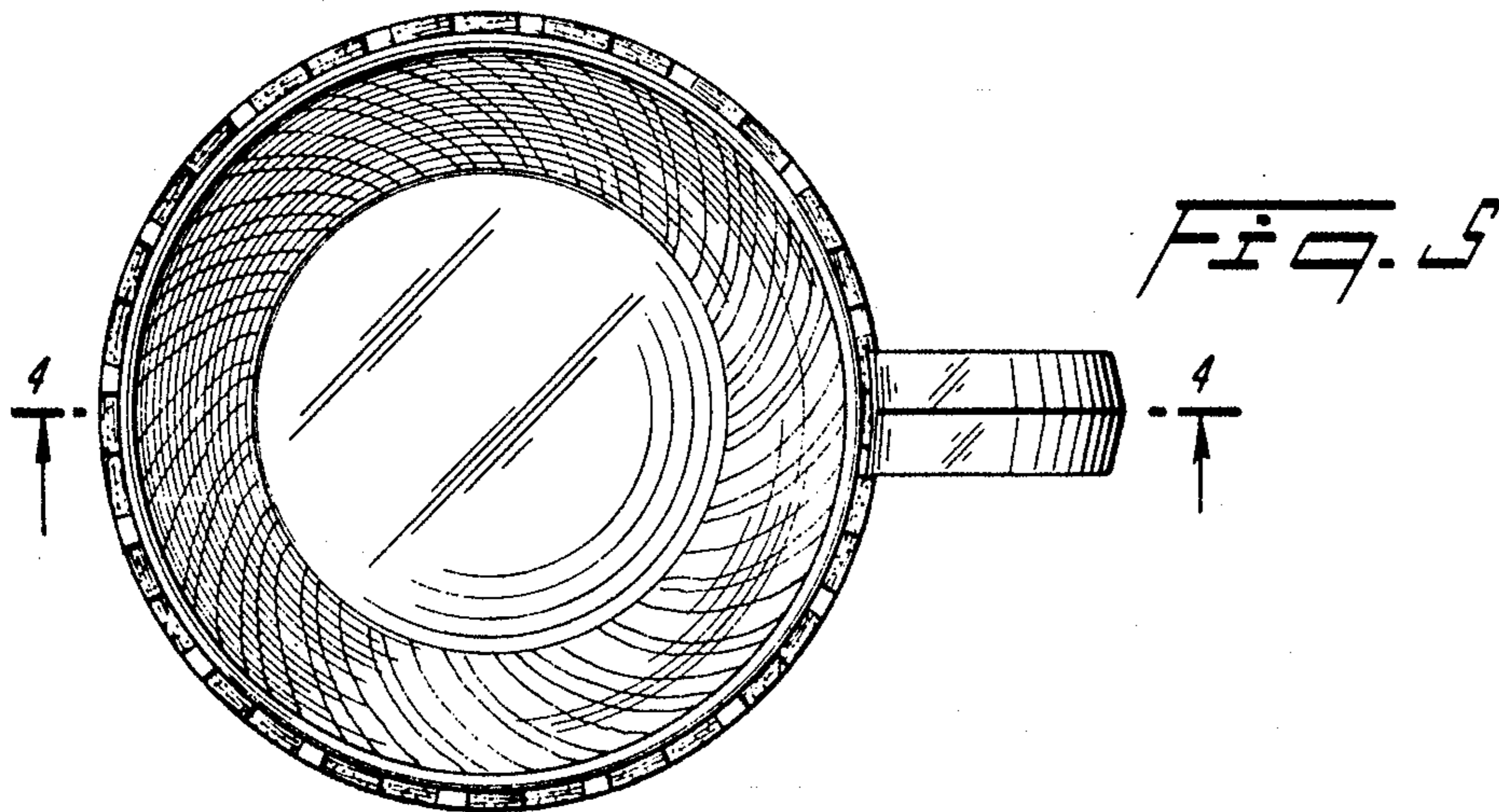
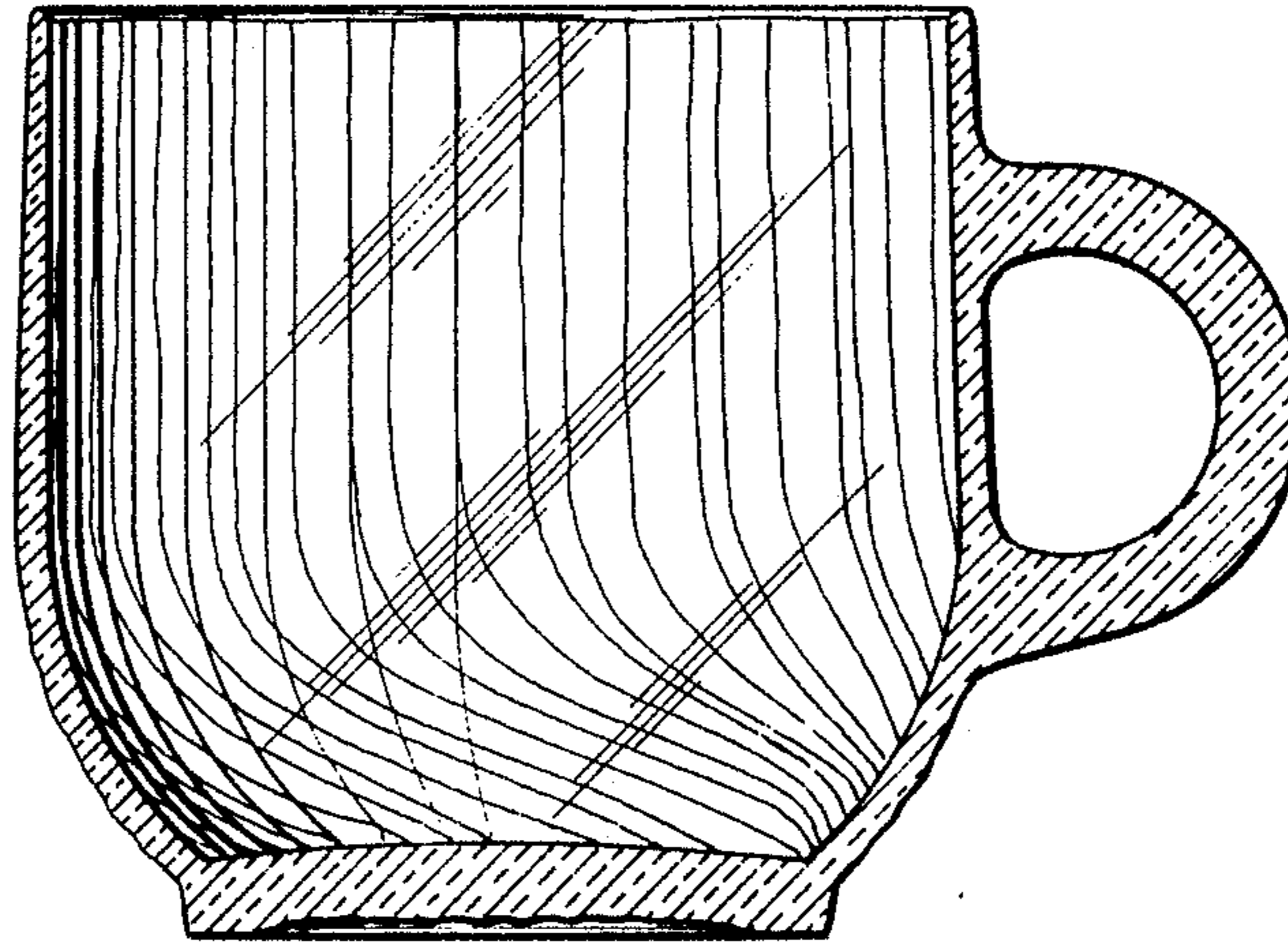


Fig. 5

Fig. 6

