

[54] CUSHION

[76] Inventor: **Bill C. J. Kao**, Room 8A, Ta-Fong Bldg., 210 Nan-King E. Rd. Sec. 3, Taipei, Taiwan

[**] Term: **14 Years**

[21] Appl. No.: **408,581**

[22] Filed: **Aug. 17, 1982**

3,116,498	1/1964	Larson	441/1
3,274,624	9/1966	Noerdinger	5/465 X
3,742,535	7/1973	Horrer et al.	441/23
4,084,275	4/1978	Ilon	5/431 X

Primary Examiner—Jane E. Corrigan

[57] CLAIM

An ornamental design for a cushion, substantially as shown.

DESCRIPTION

FIG. 1 is a perspective view of a cushion showing my new design with the connecting means shown as broken in order to indicate indeterminate length;
 FIG. 2 is a front elevational view;
 FIG. 3 is a planned view; and
 FIG. 4 is a side elevational view with the cushion units in an alternate position.
 The characteristic feature of the design resides in the configuration of the cylinder end, including the cap and tab through which the flexible connecting means passes.

Related U.S. Application Data

[63] Continuation of Ser. No. 155,648, Jun. 2, 1980.

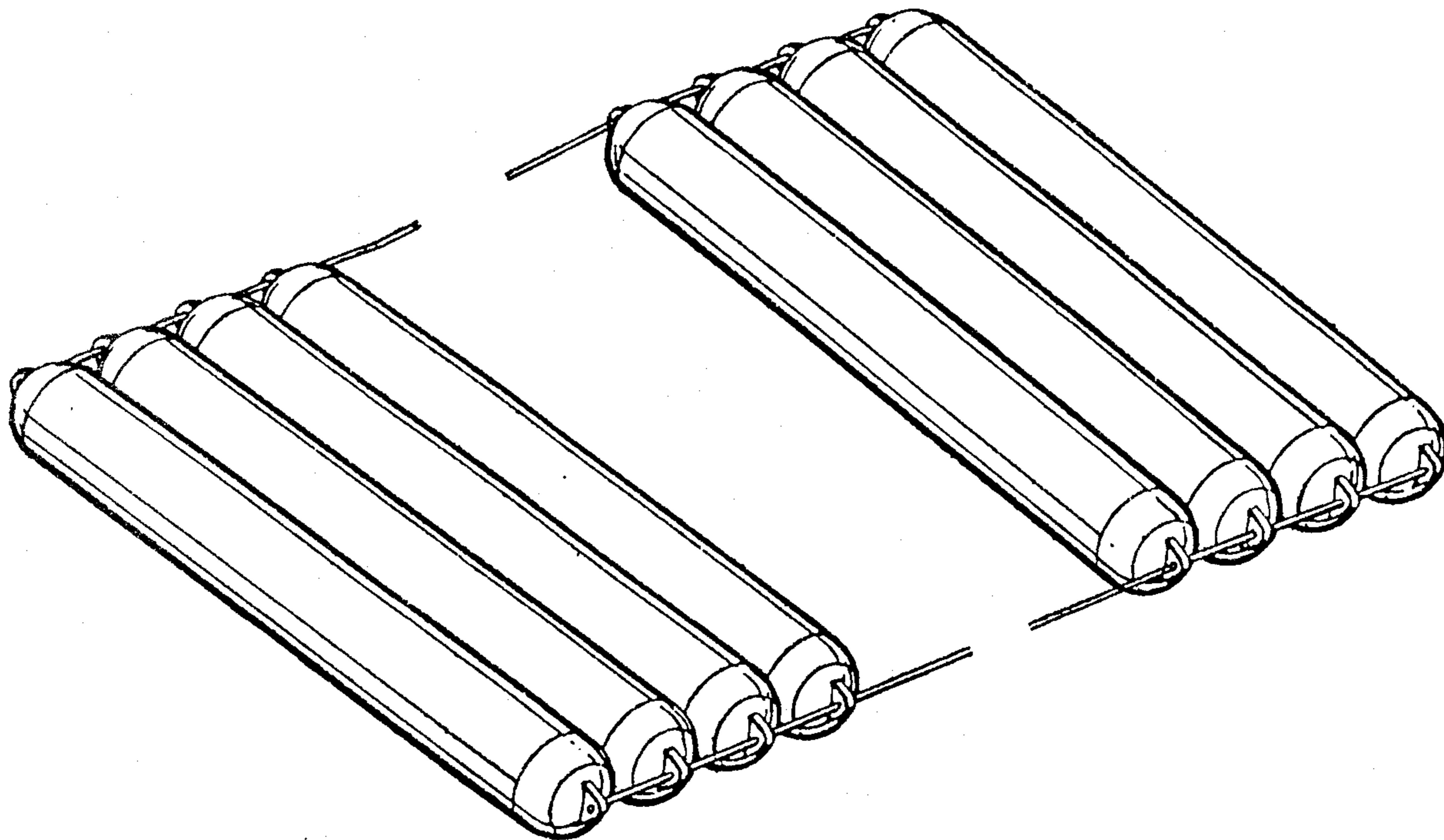
[52] U.S. Cl. **D6/596**

[58] Field of Search D6/201, 204; D21/84, D21/237; 5/431, 437, 451, 455, 465; 441/1, 23

References Cited

U.S. PATENT DOCUMENTS

D. 220,953	6/1971	Des Pres	D6/204 X
2,486,158	10/1949	Haas	D21/84



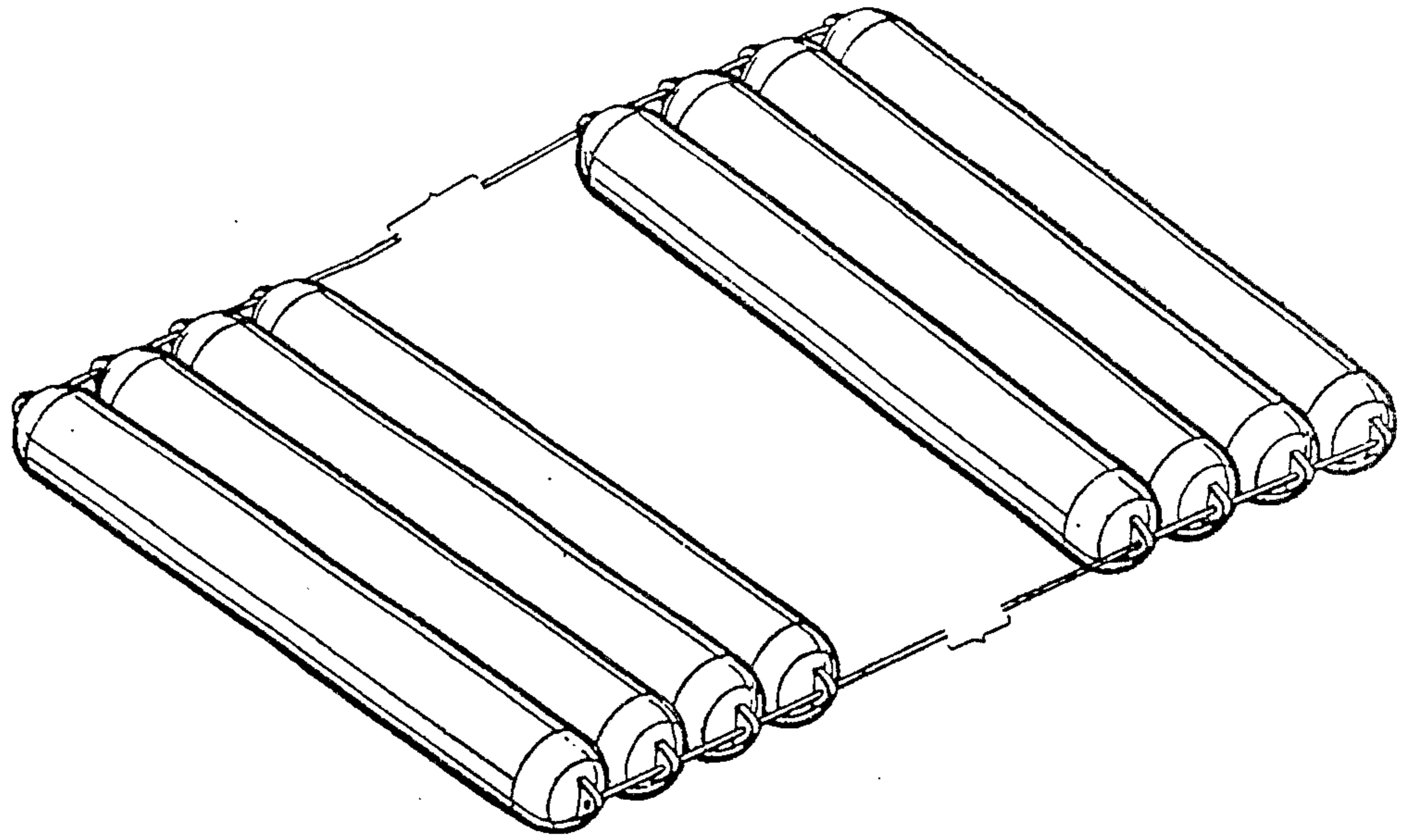


FIG. 1

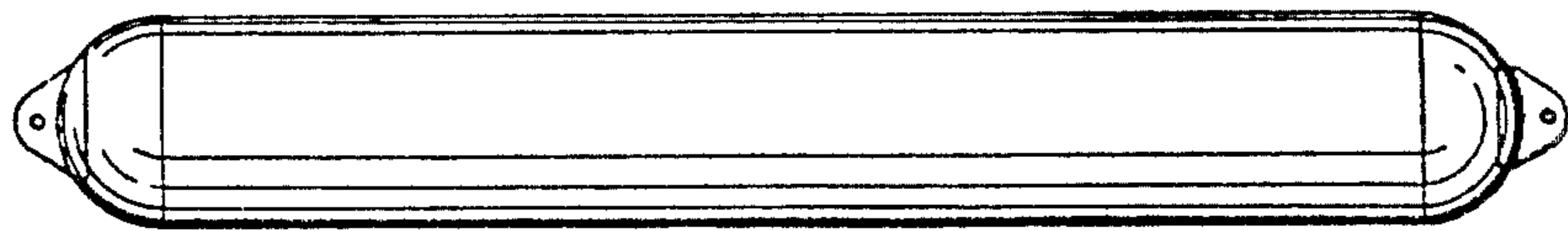


FIG. 2

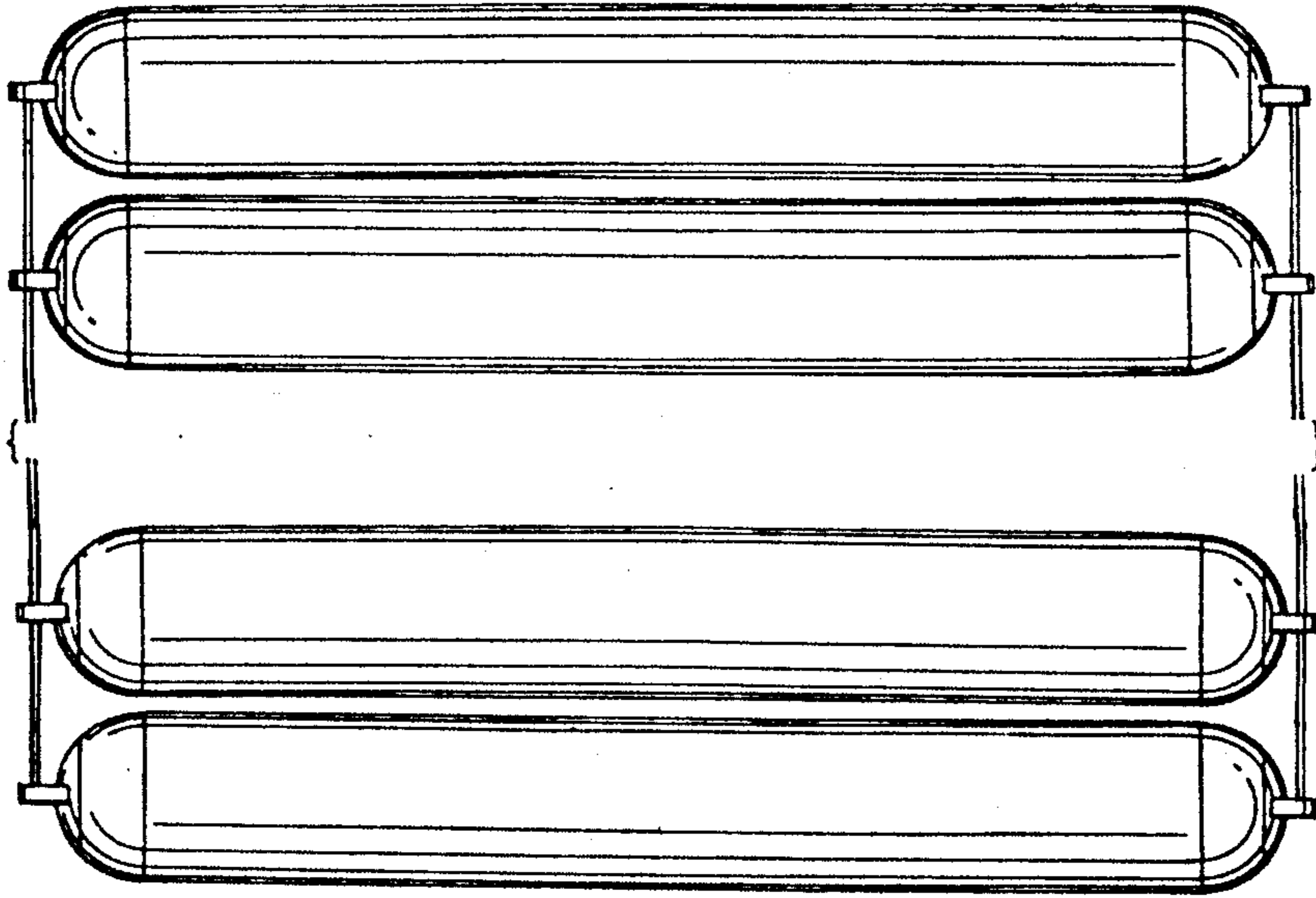


FIG. 3

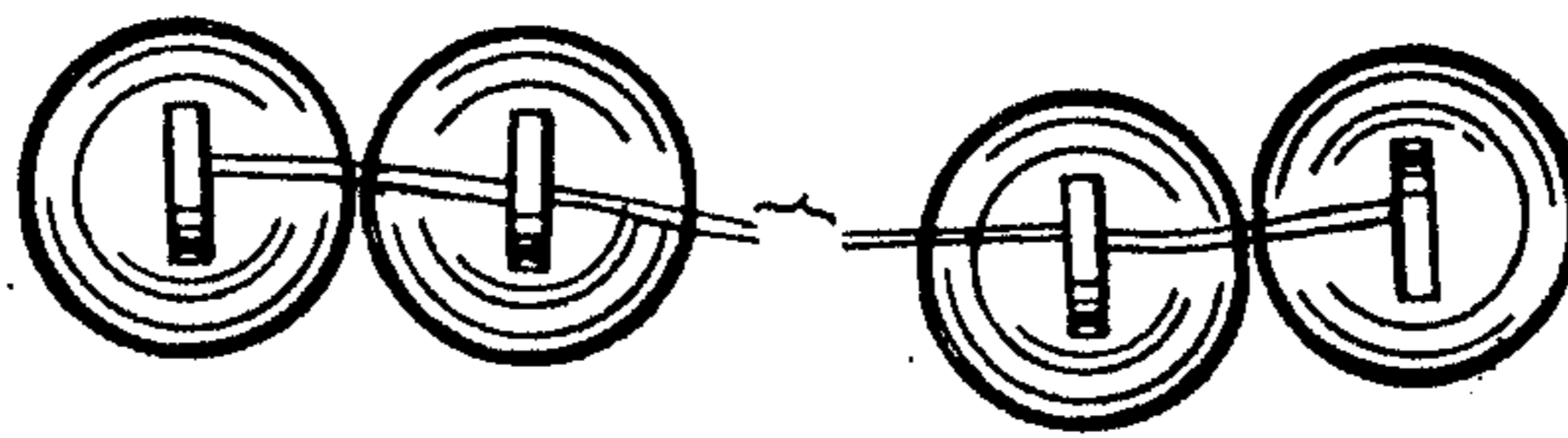


FIG. 4