

[54] COMBINED TOOTHBRUSH AND CUP SHELF OR THE LIKE

[75] Inventors: William K. Fahey, Longwood, Fla.; Rino Conti, Stoughton, Mass.

[73] Assignee: Dart Industries Inc., Northbrook, Ill.

[\*\*] Term: 14 Years

[21] Appl. No.: 406,840

[22] Filed: Aug. 10, 1982

[52] U.S. Cl. .... D6/531

[58] Field of Search ..... D6/86, 91, 92, 93, 94, D6/125; 108/144, 148, 151, 152; 206/362, 372; 211/65, 66, 70, 71, 87, 88; 248/110, 111

[56] References Cited

U.S. PATENT DOCUMENTS

- D. 257,195 10/1980 Swett et al. .
- 1,581,250 4/1926 Traubig ..... D6/91
- 4,203,373 5/1980 Conti .

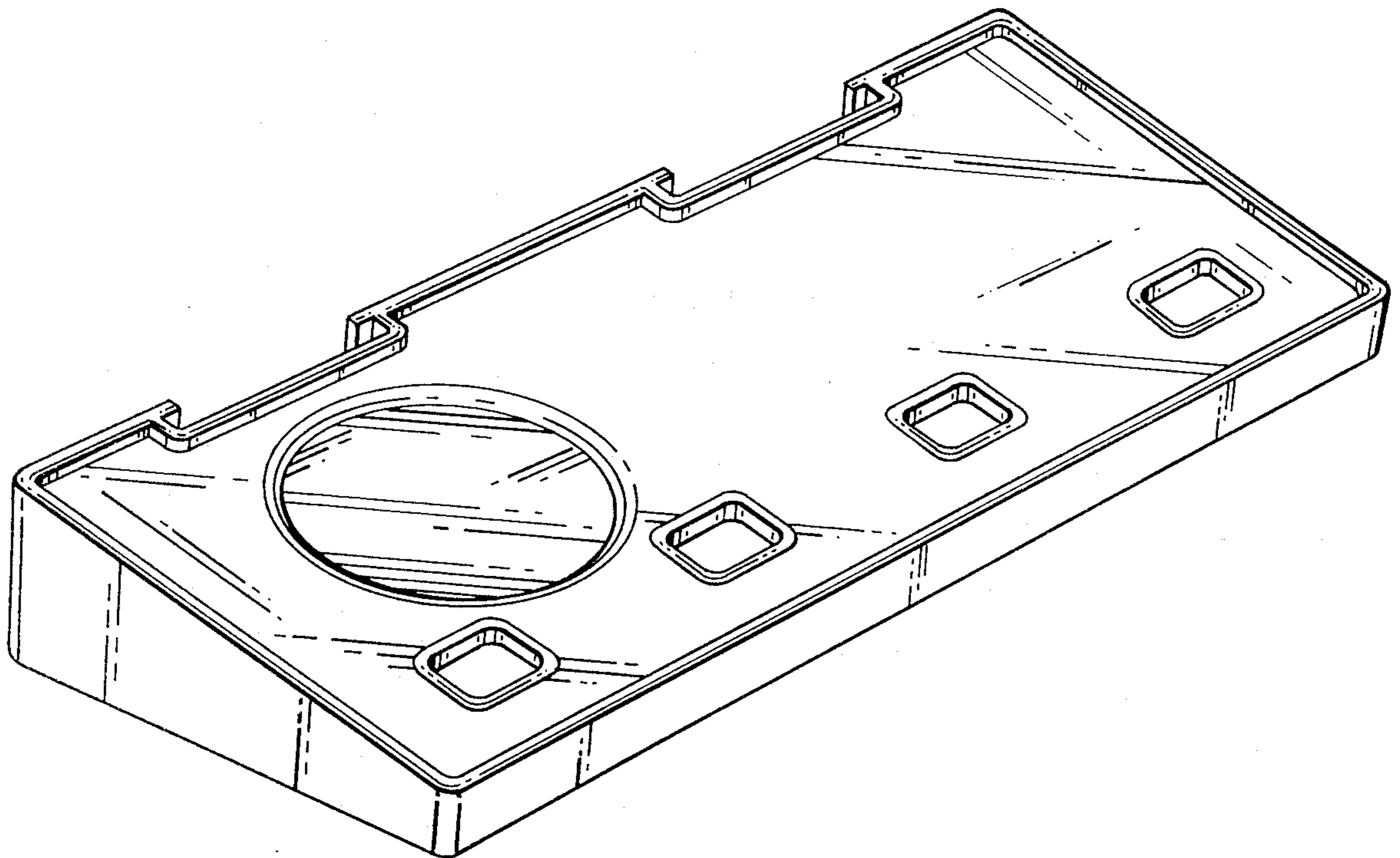
Primary Examiner—Wallace R. Burke  
Assistant Examiner—Suzanne N. Gitlin  
Attorney, Agent, or Firm—John A. Doninger

[57] CLAIM

The ornamental design for a combined toothbrush and cup shelf or the like, substantially as is shown.

DESCRIPTION

FIG. 1 is a top perspective view of the combined toothbrush and cup shelf or the like showing our new design; FIG. 2 is a front elevational view thereof; FIG. 3 is a side elevational view thereof; FIG. 4 is a rear elevational view thereof; FIG. 5 is a top plan view thereof; FIG. 6 is a bottom plan view thereof.



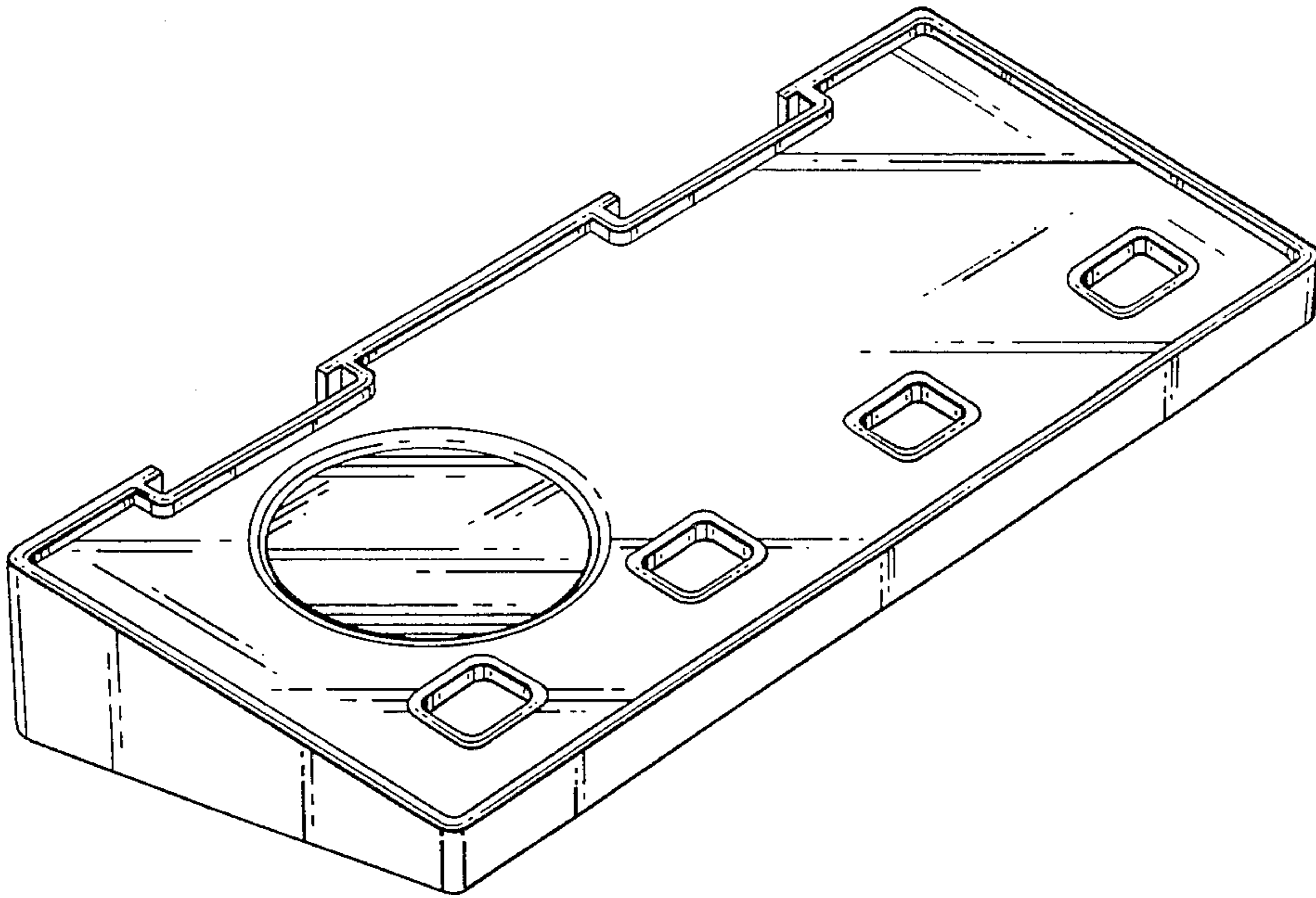


FIG. 1

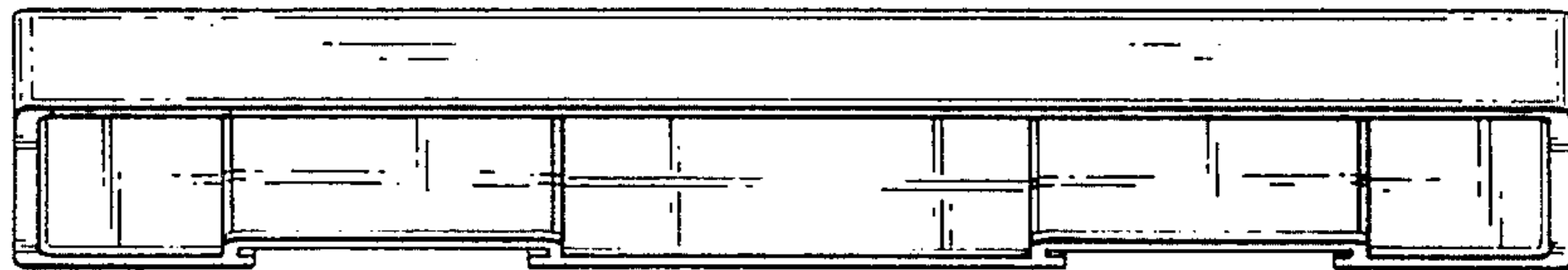


FIG. 2

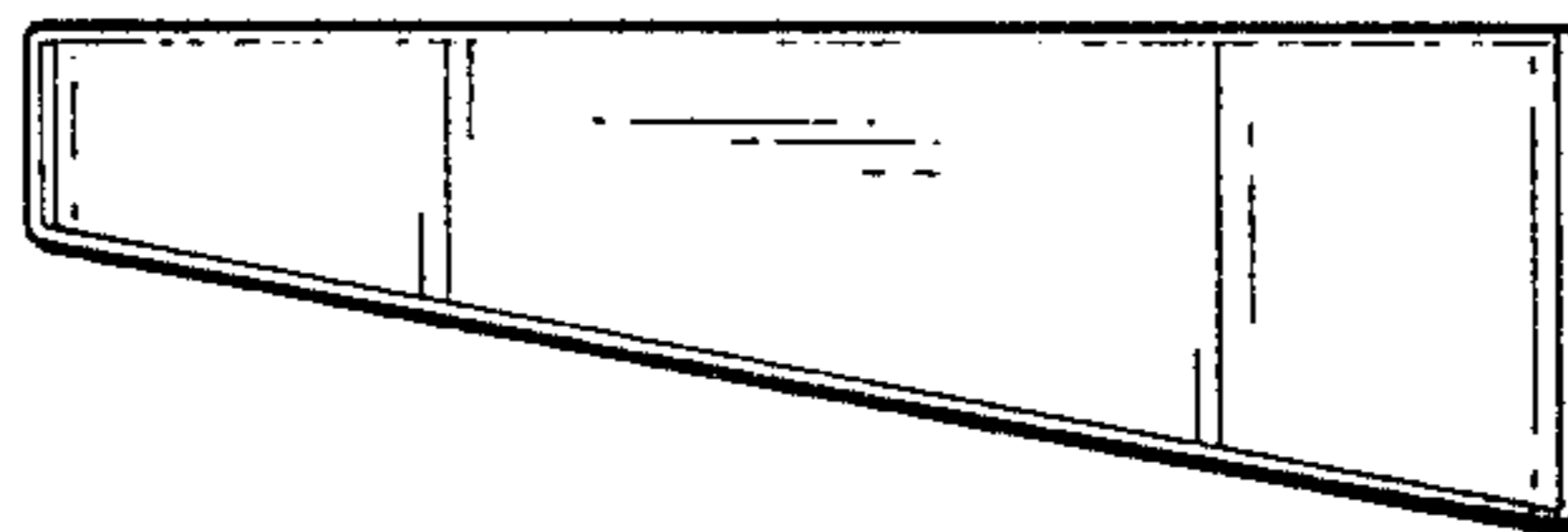


FIG. 3

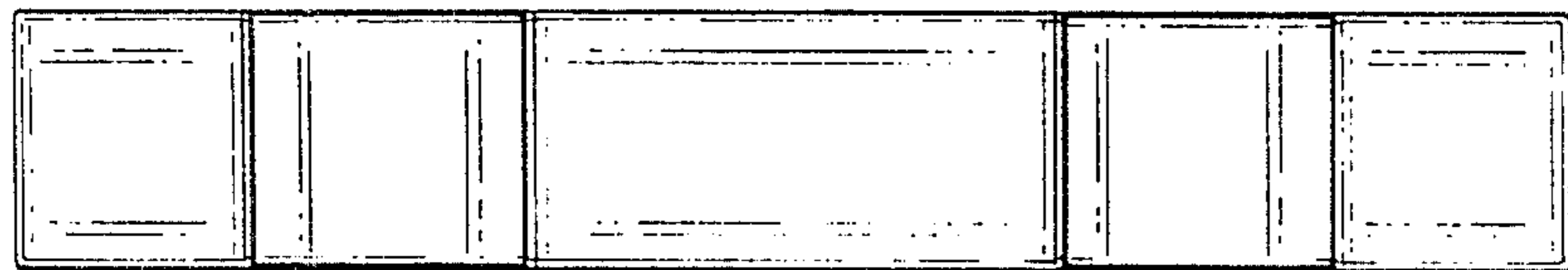


FIG. 4

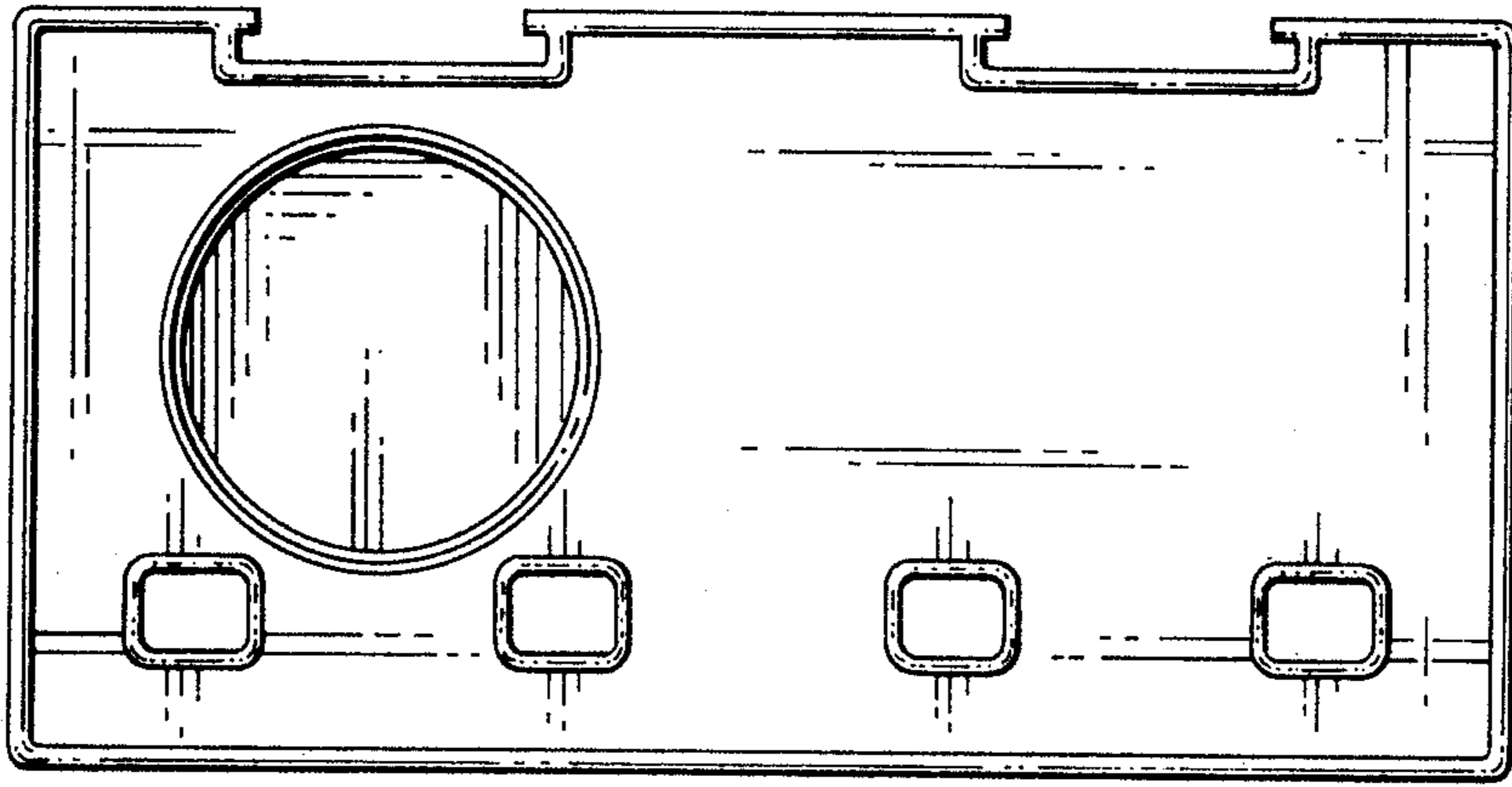


FIG. 5

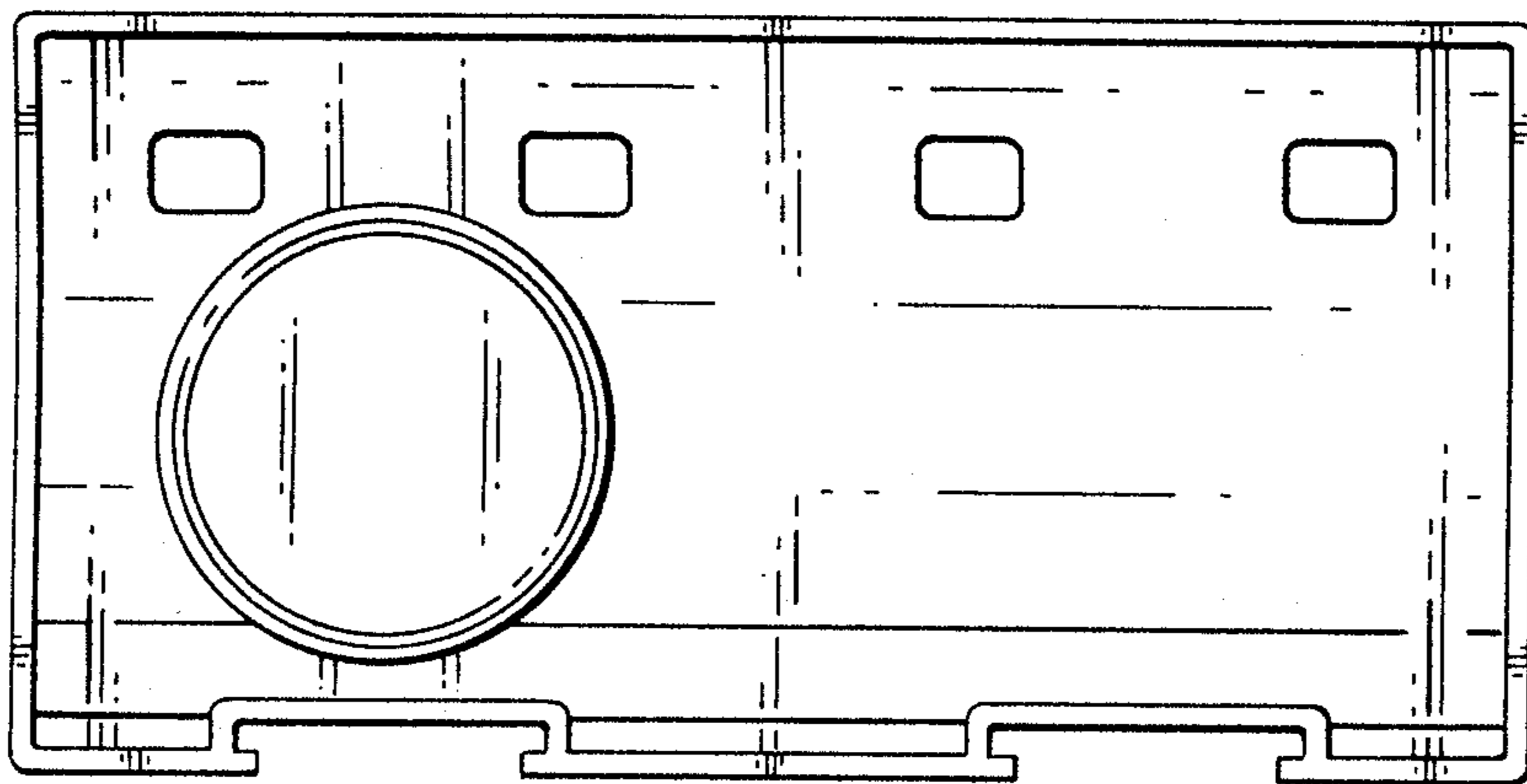


FIG. 6