

[54] SPRAY STEAM IRON

[75] Inventors: Shinri Ogawa; Takuya Yamano, both of Tottori, Japan

[73] Assignee: Sanyo Electric Co., Ltd., Keihan-Hondori, Japan

[\*\*] Term: 14 Years

[21] Appl. No.: 473,932

[22] Filed: Mar. 10, 1983

[52] U.S. Cl. .... D32/70

[58] Field of Search ..... D32/68-72; 38/74, 75, 77.1-77.9, 79, 81, 88-92, 95

[56] References Cited

U.S. PATENT DOCUMENTS

- D. 165,757 1/1952 Ireland .
- D. 214,585 7/1969 Benjamin .
- D. 216,153 11/1969 Tsunoda .
- D. 219,751 1/1971 Osrow .
- D. 222,502 10/1971 Madl et al. .
- D. 268,216 3/1983 Levin ..... D32/70
- D. 269,133 5/1983 Ernest et al. .... D32/70
- D. 269,213 5/1983 Martin ..... D32/70
- 2,080,175 5/1937 Kuno ..... 38/77.3
- 2,180,523 11/1939 Horton ..... 38/77.1

- 2,763,075 9/1956 Vance ..... 38/77.4 X
- 2,786,287 3/1957 Swann ..... 38/77.4
- 2,812,598 11/1957 Wood ..... 38/77.3
- 3,160,969 12/1964 Ensley ..... 38/77.3
- 3,229,392 1/1966 Camilleri ..... 38/90
- 3,245,160 4/1966 Knapp ..... 38/77.3
- 3,672,080 6/1972 Murphy et al. .... 38/90
- 3,685,182 8/1972 Davidson et al. .... 38/77.3

OTHER PUBLICATIONS

Sanyo Portable Travel Iron Brochure, (Jul. 1981).

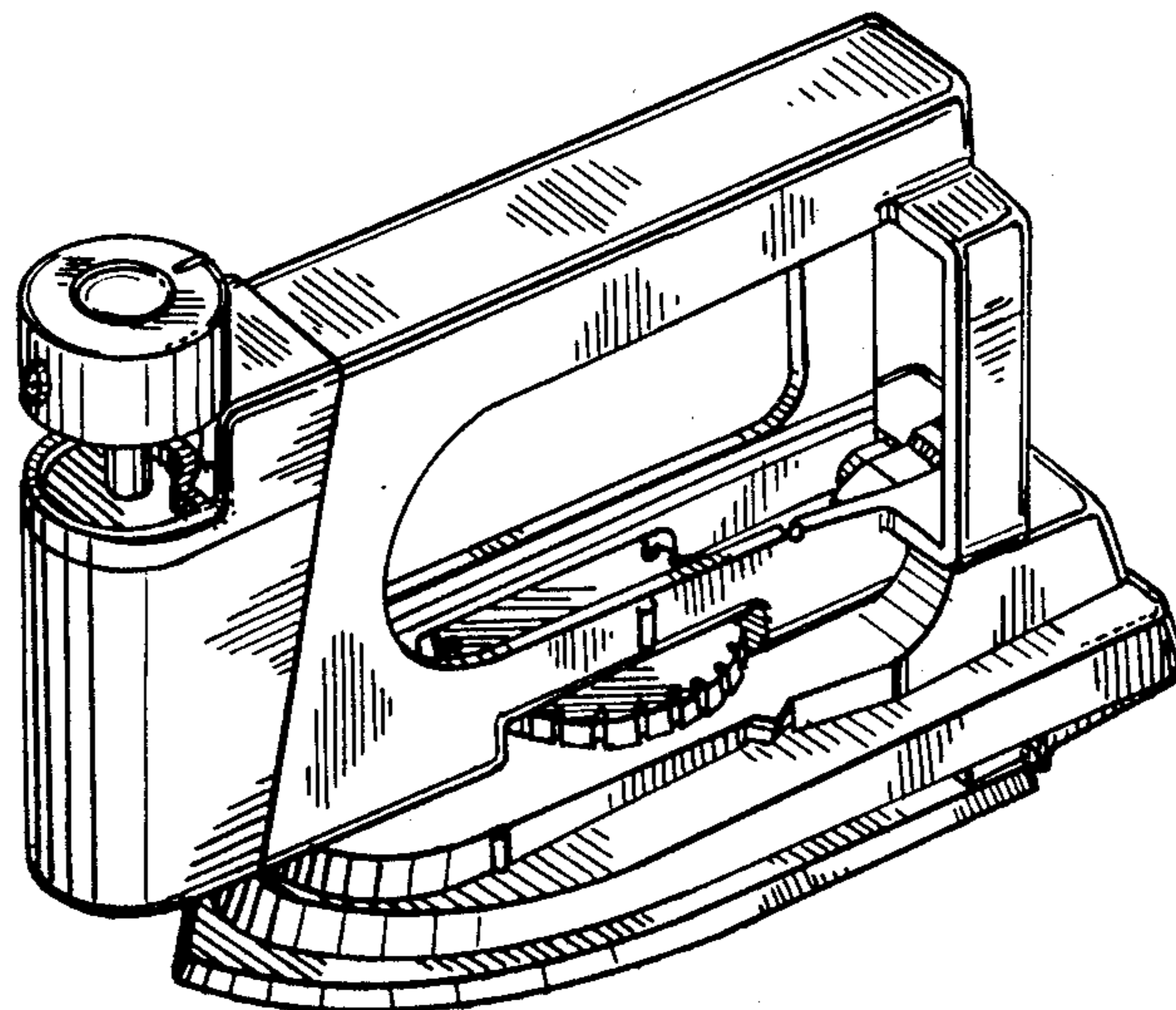
Primary Examiner—Catherine E. Kemper  
Attorney, Agent, or Firm—Darby & Darby

[57] CLAIM

The ornamental design for a spray steam iron, as shown and described.

DESCRIPTION

FIG. 1 is a perspective view of a spray steam iron, showing our new design;  
 FIG. 2 is a left side elevational view thereof;  
 FIG. 3 is a rear elevational view thereof;  
 FIG. 4 is a right side elevational view thereof;  
 FIG. 5 is a front elevational view thereof;  
 FIG. 6 is a top plan view thereof;  
 FIG. 7 is a bottom view thereof.



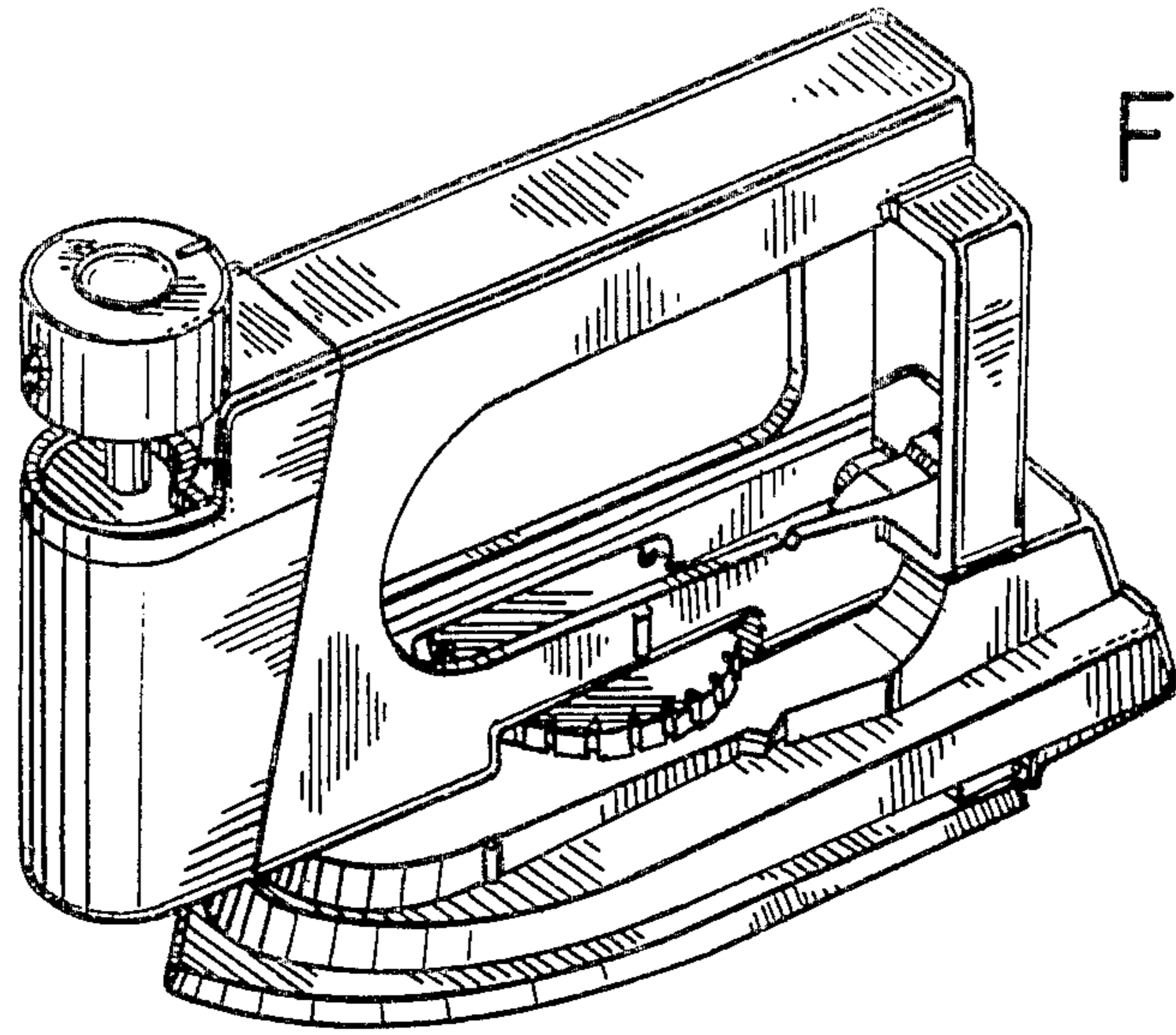


FIG. 1

FIG. 2

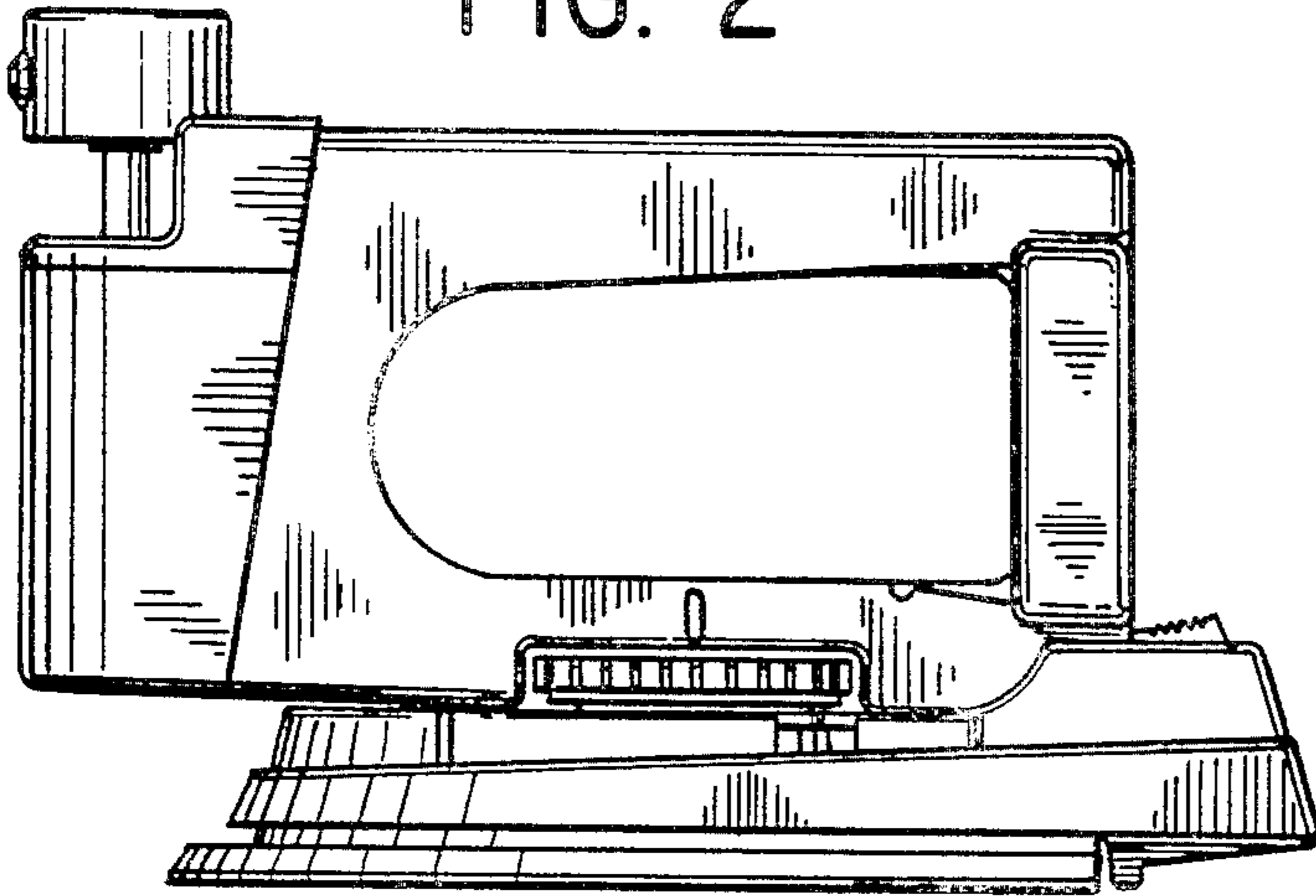


FIG. 3

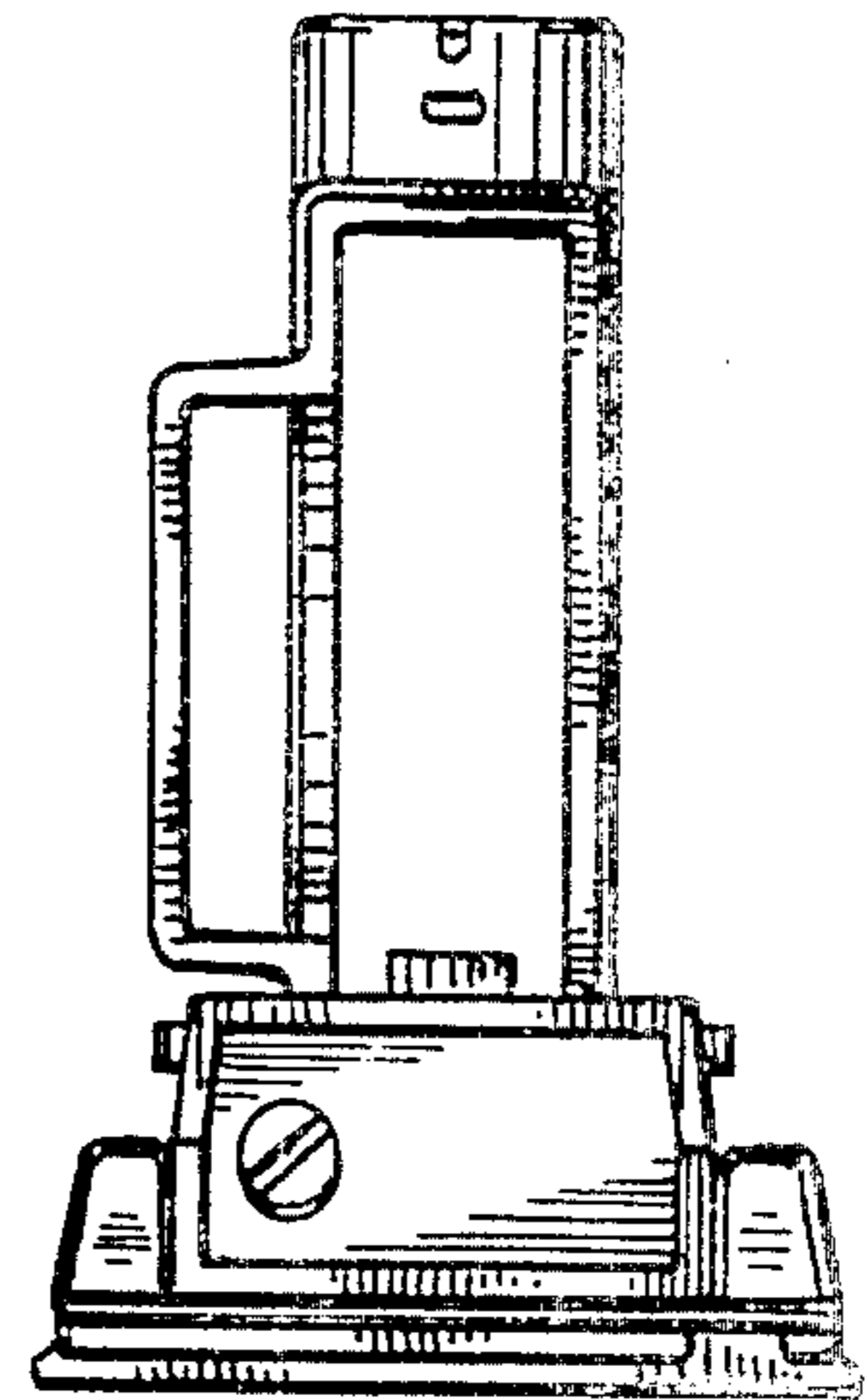


FIG. 4

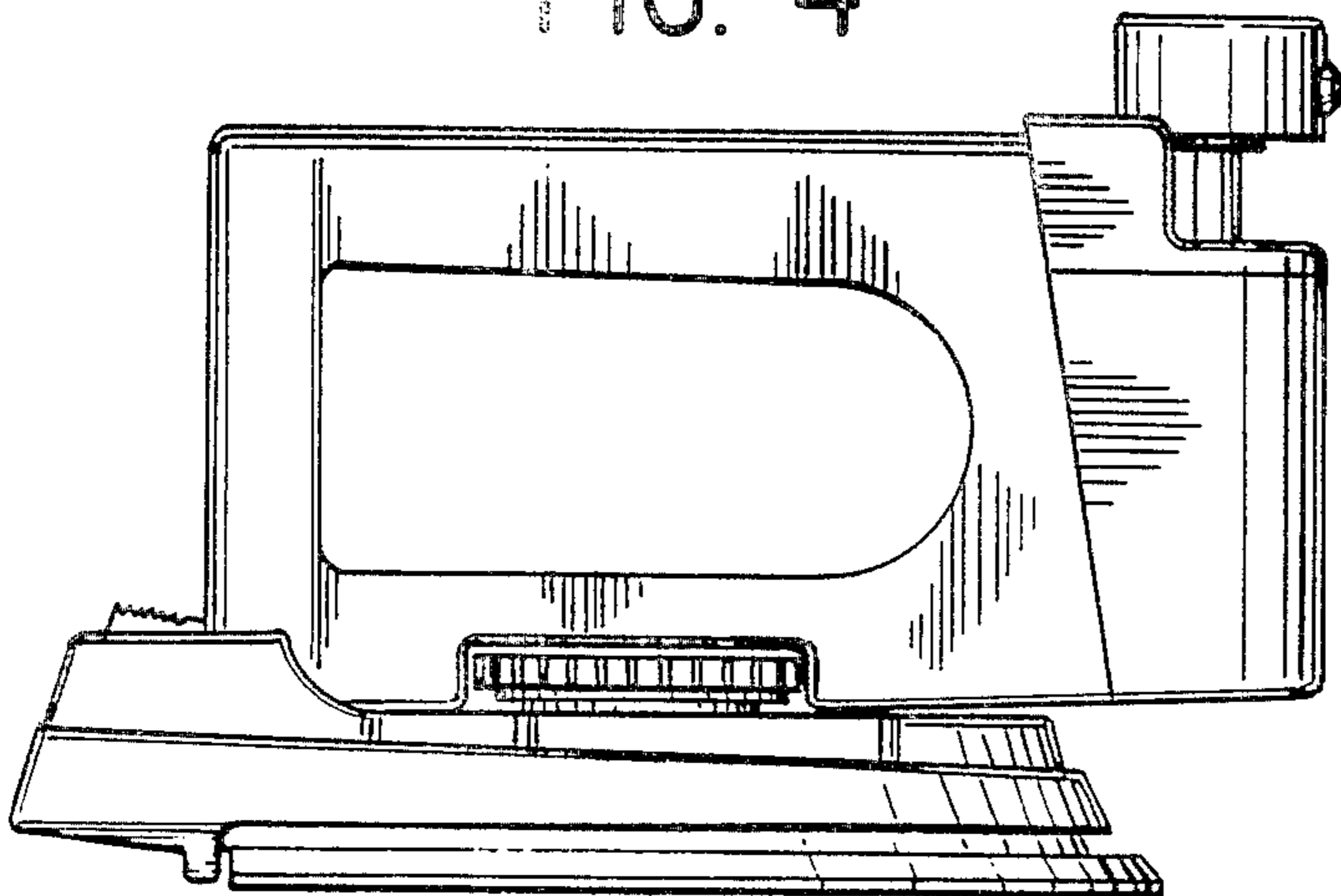


FIG. 5

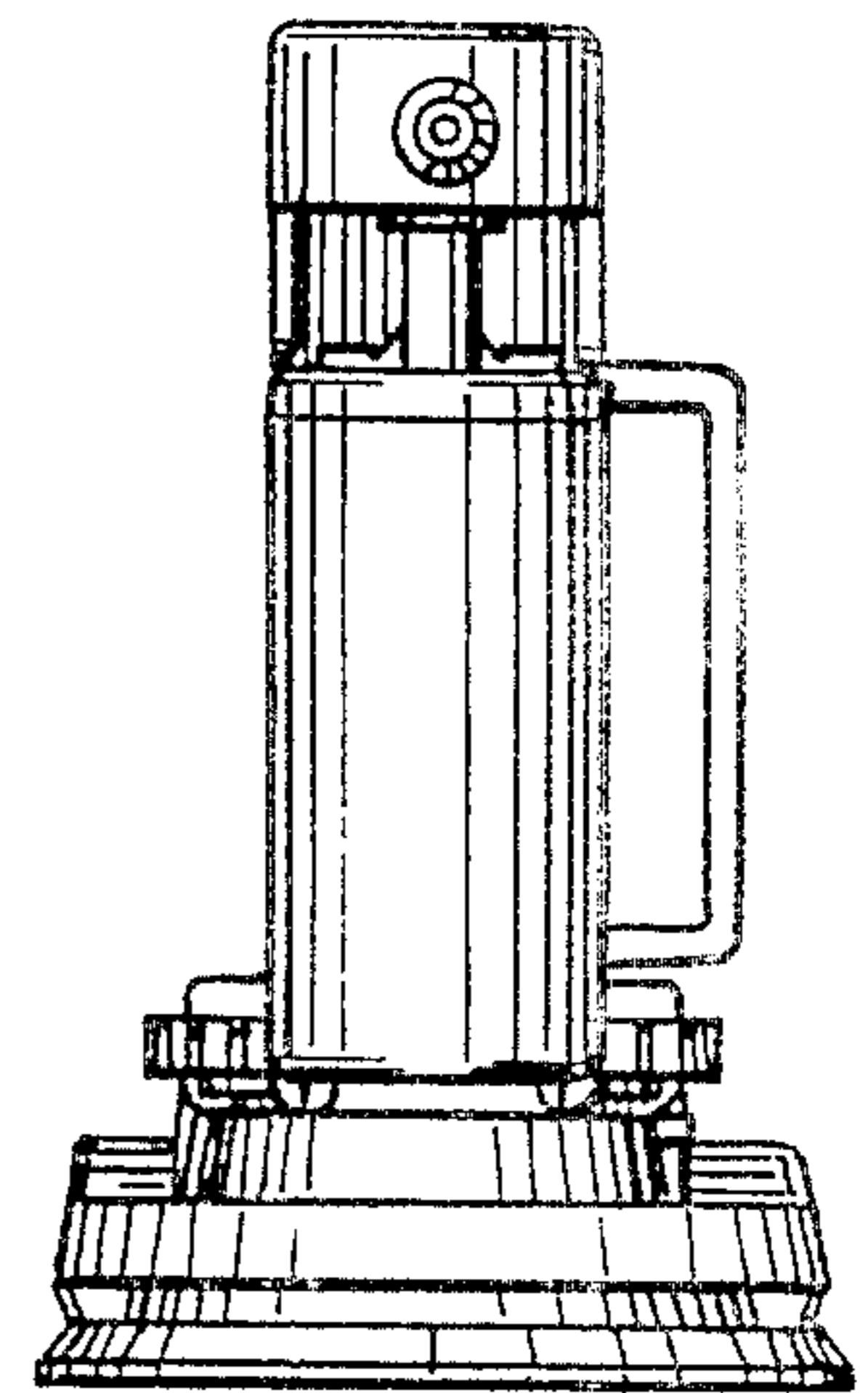


FIG. 6

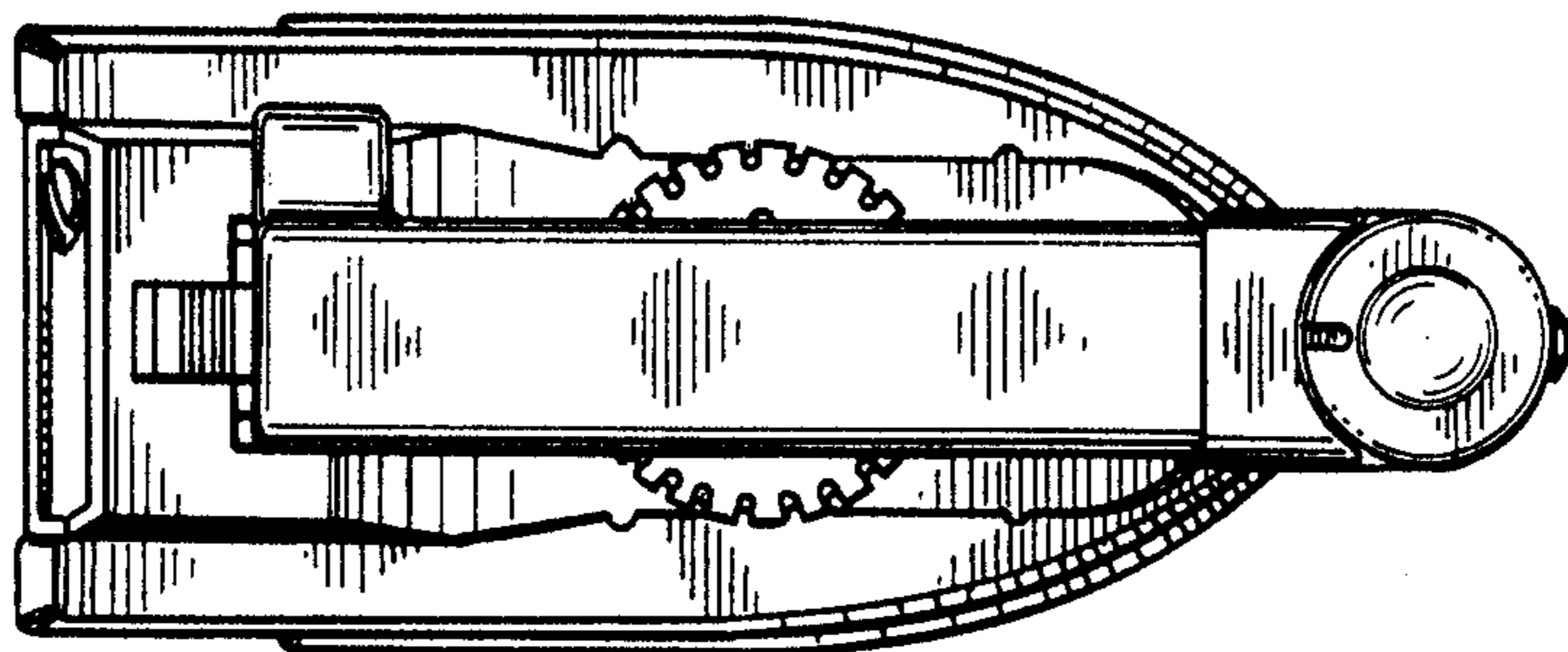


FIG. 7

