

[54] VANITY MIRROR

[76] Inventor: Eddie Y. H. Lo, 1st & 3rd Flrs., LMK Development Estate, 10-16 Kwai Ting Rd., Kwai Chung, New Territories, Hong Kong

[\*\*] Term: 14 Years

[21] Appl. No.: 389,103

[22] Filed: Jun. 16, 1982

[30] Foreign Application Priority Data

Dec. 21, 1981 [GB] United Kingdom ..... 1004264  
[52] U.S. Cl. .... D28/64.3; D28/78  
[58] Field of Search ..... D28/4, 61, 65, 67, 68, D28/73, 76, 77-84; D3/39; D9/420, 424; 362/135-137; 220/DIG. 26, 337, 338; 206/235, 542, 581, 823; 132/79 R, 79 A, 79 C, 79 D, 79 F, 79 G, 82 R, 82 A, 82 C, 82 D, 82 F, 83 R, 83 C-83 F, DIG. 2

[56] References Cited

U.S. PATENT DOCUMENTS

D. 71,147 9/1926 Kline ..... D28/82  
D. 143,058 12/1945 Casalino ..... D28/78  
D. 264,510 5/1982 Boyd ..... D28/78  
1,936,273 11/1933 Segal ..... 132/83 R  
1,959,784 5/1934 Goertz ..... 132/83 C

FOREIGN PATENT DOCUMENTS

802303 9/1936 France ..... D28/78

Primary Examiner—Louis S. Zarfes  
Attorney, Agent, or Firm—Warren B. Kice

[57] CLAIM

The ornamental design for a vanity mirror, as shown and described.

DESCRIPTION

FIG. 1 is a top front perspective view of a vanity mirror showing my new design;  
FIG. 2 is a right side elevational view;  
FIG. 3 is a rear elevational view;  
FIG. 4 is a bottom plan view; and  
FIG. 5 is a perspective view of the mirror in open position.

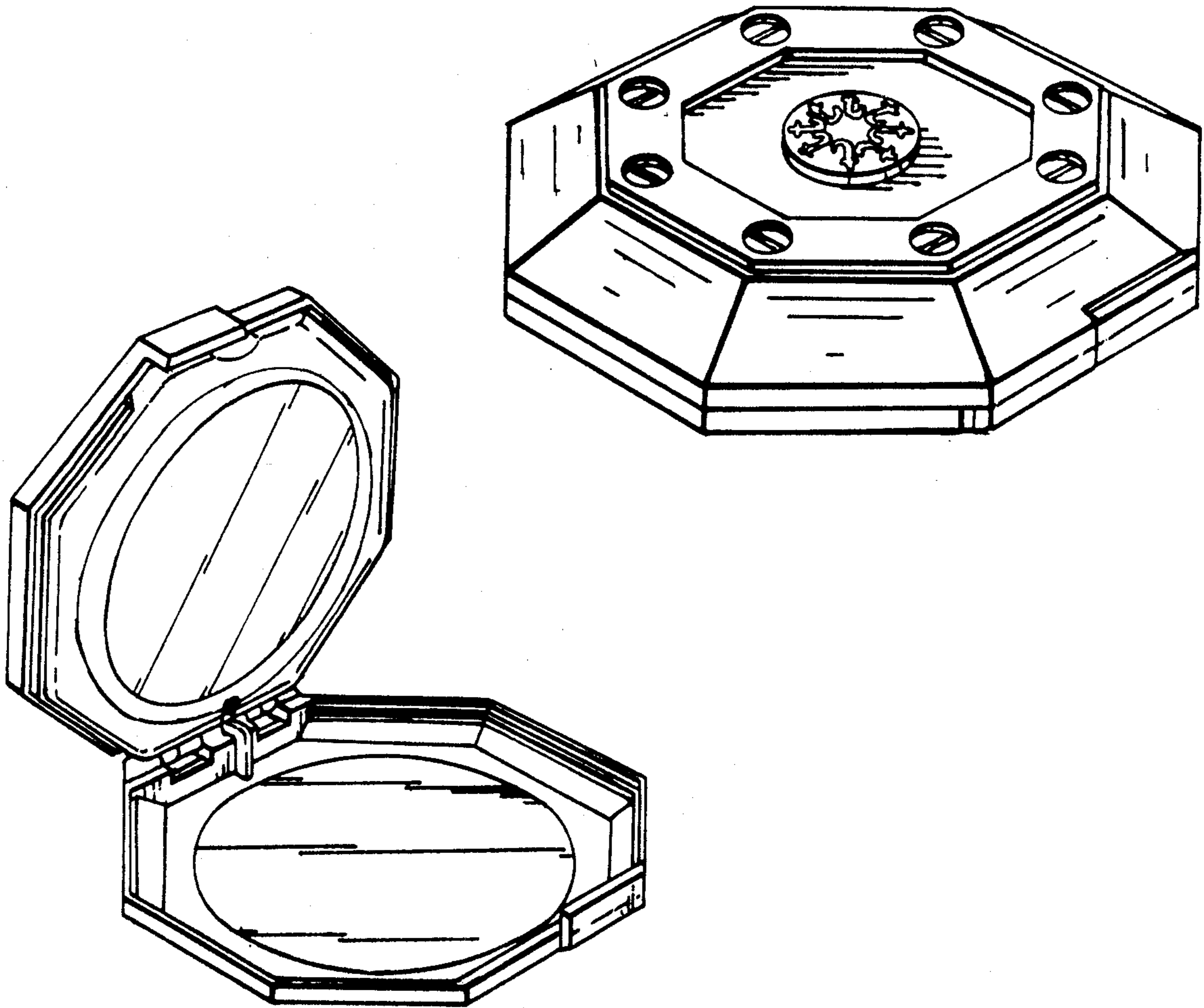


FIG. 1.

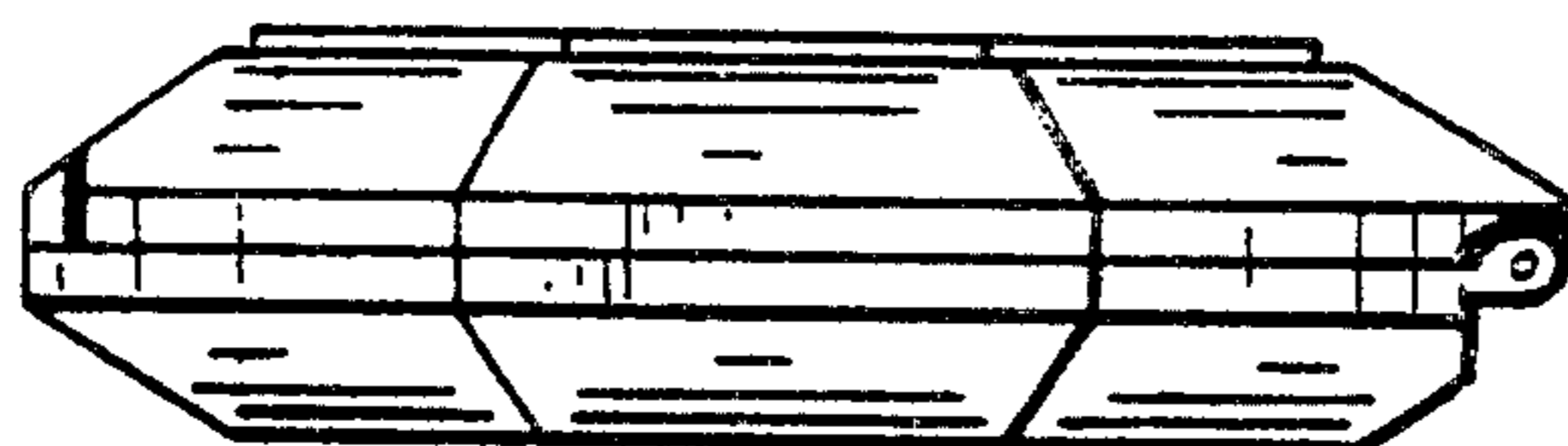
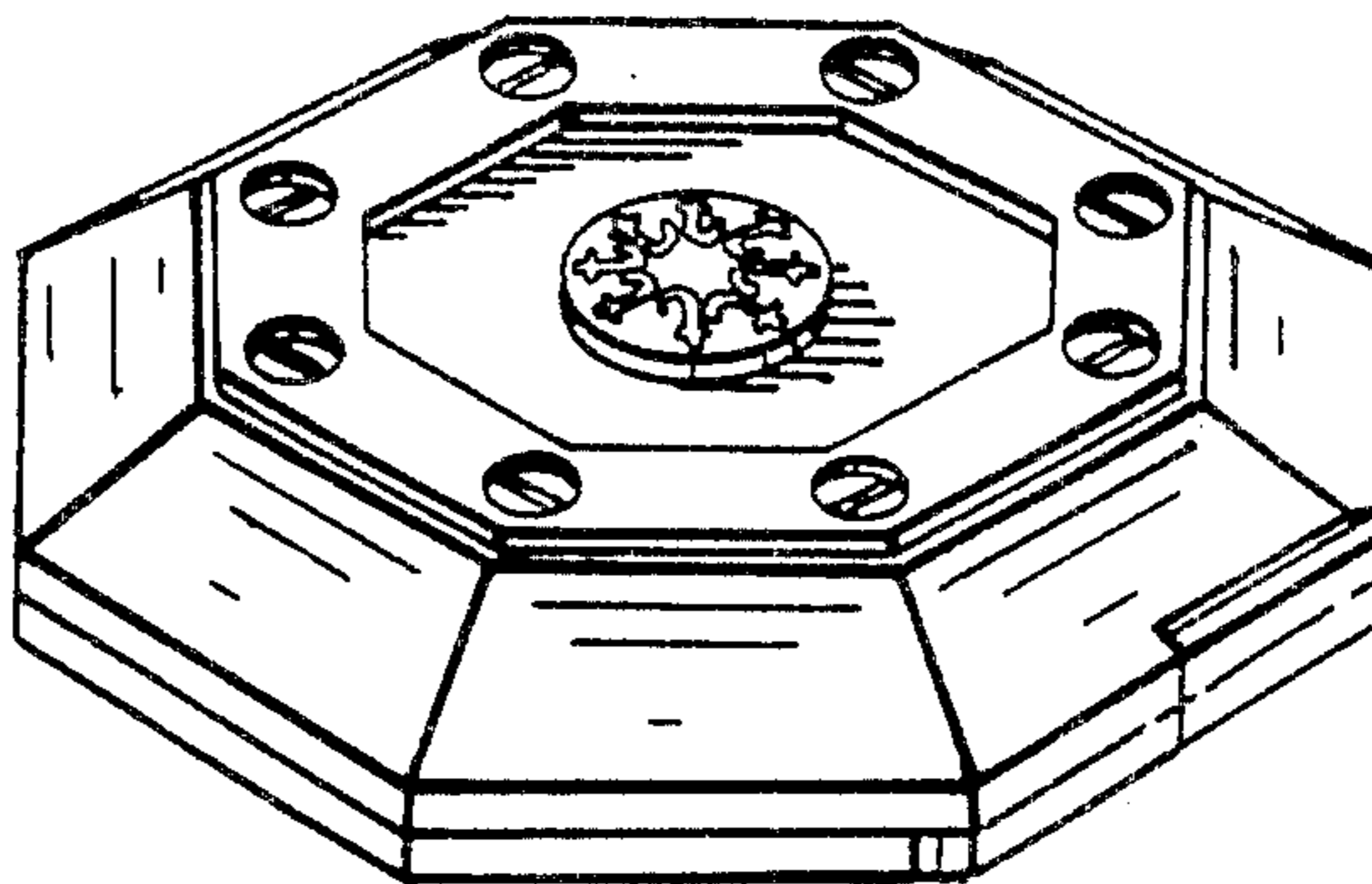


FIG. 2.

FIG. 3.

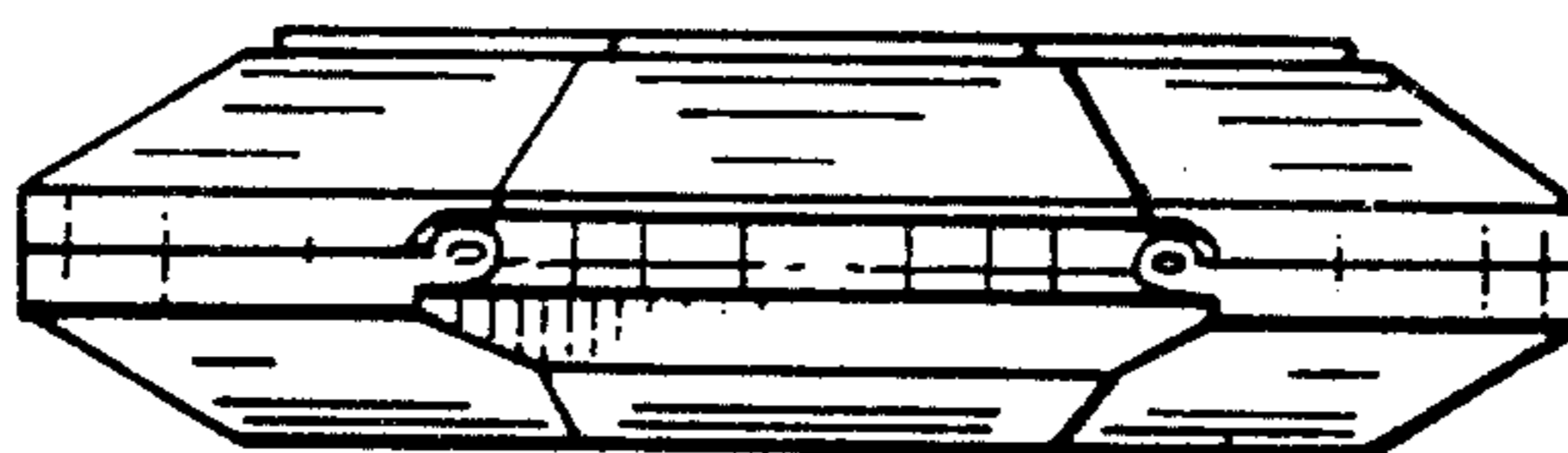
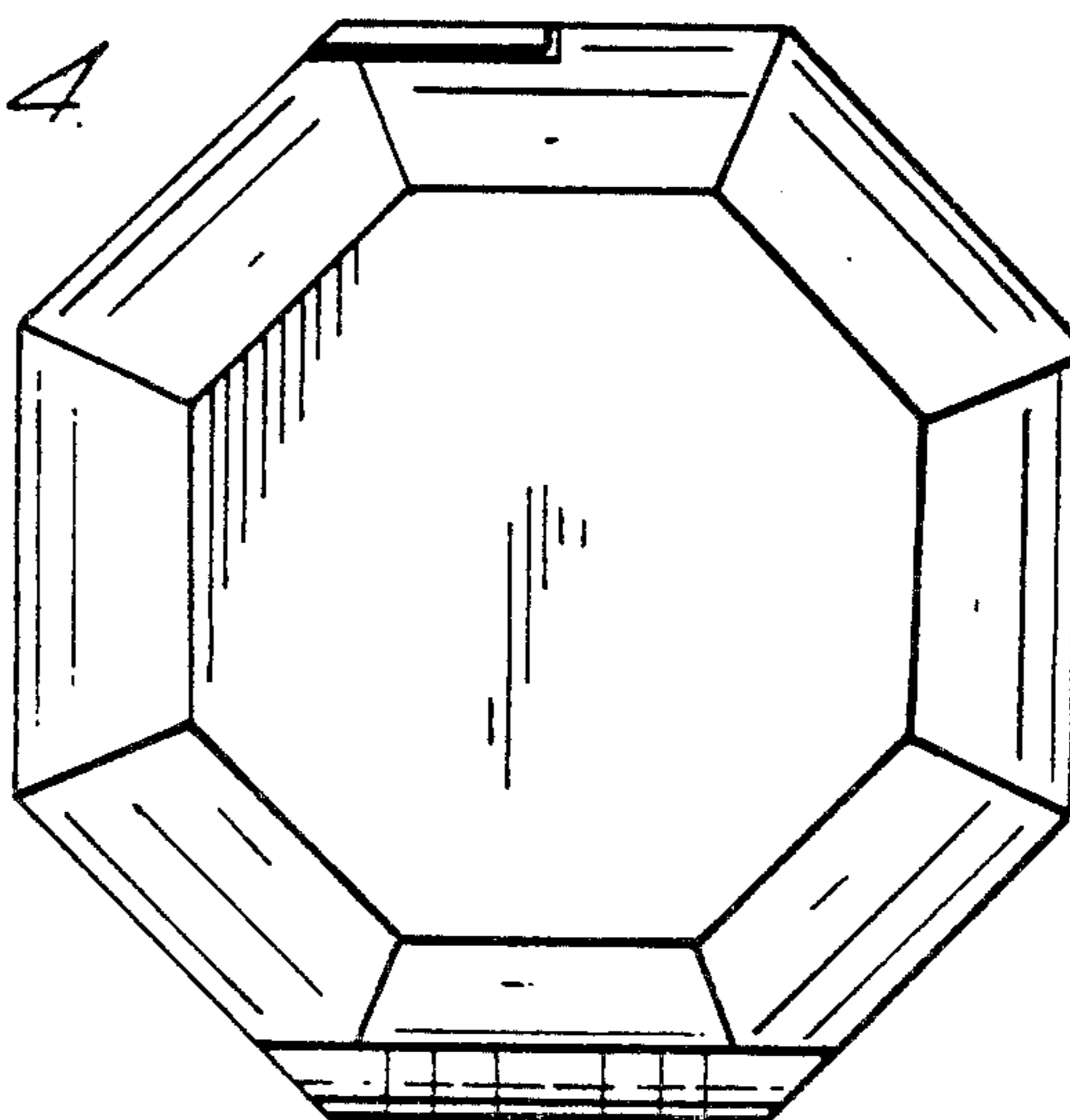


FIG. 4.



*FIG. 5.*

